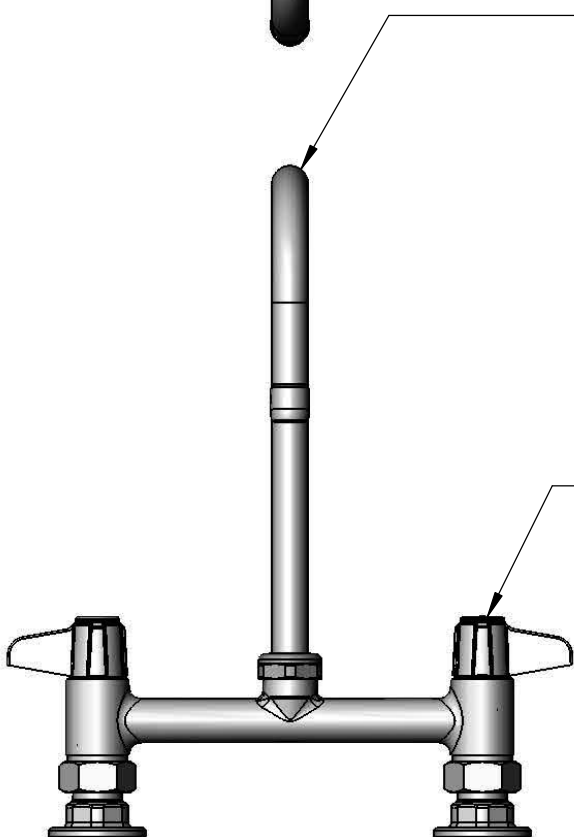
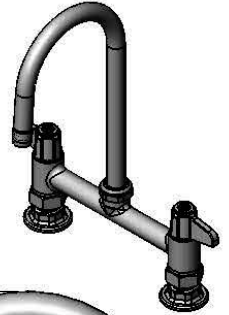


ADA Compliant

This Space for Architect/Engineer Approval

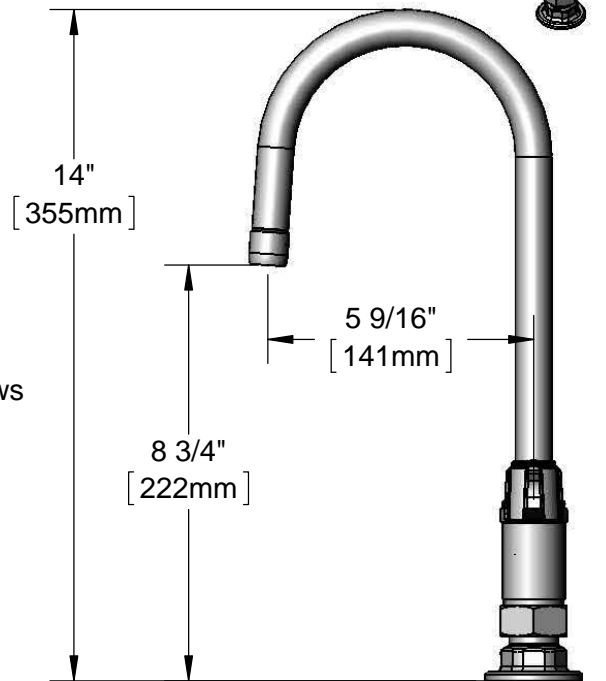
Job Name _____ Date _____
 Model Specified _____ Quantity _____
 Customer/Wholesaler _____
 Contractor _____
 Architect/Engineer _____

5SP-05
 5 1/2" equip Swivel Gooseneck
 w/ Laminar Flow Device.
 Rigid Conversion Requires
 014200-45 Lock Washer
 (Sold Separately)



Ceramic Cartridges &
 equip Lever Handles
 w/ Color Coded Screws

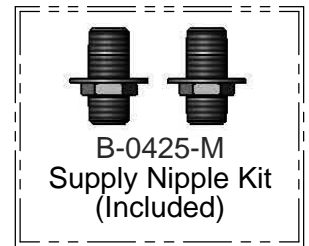
Mounting Surface



8 3/4"
 [222mm]

8"
 [203mm]
 Adjustable From
 7 3/4" to 8 1/4"
 [197mm to 210mm]

Ø 2" [51mm]
 Flanges w/
 1/2" NPT
 Female Inlets



Rough-In Requirement:
 (2) Ø 1" [25mm] Mounting Holes

Model Number 5F-8DLS05	Date 1/30/2013	Scale 1:4	Drawn DHL	Checked GEF	Approved JHB
---------------------------	-------------------	--------------	--------------	----------------	-----------------

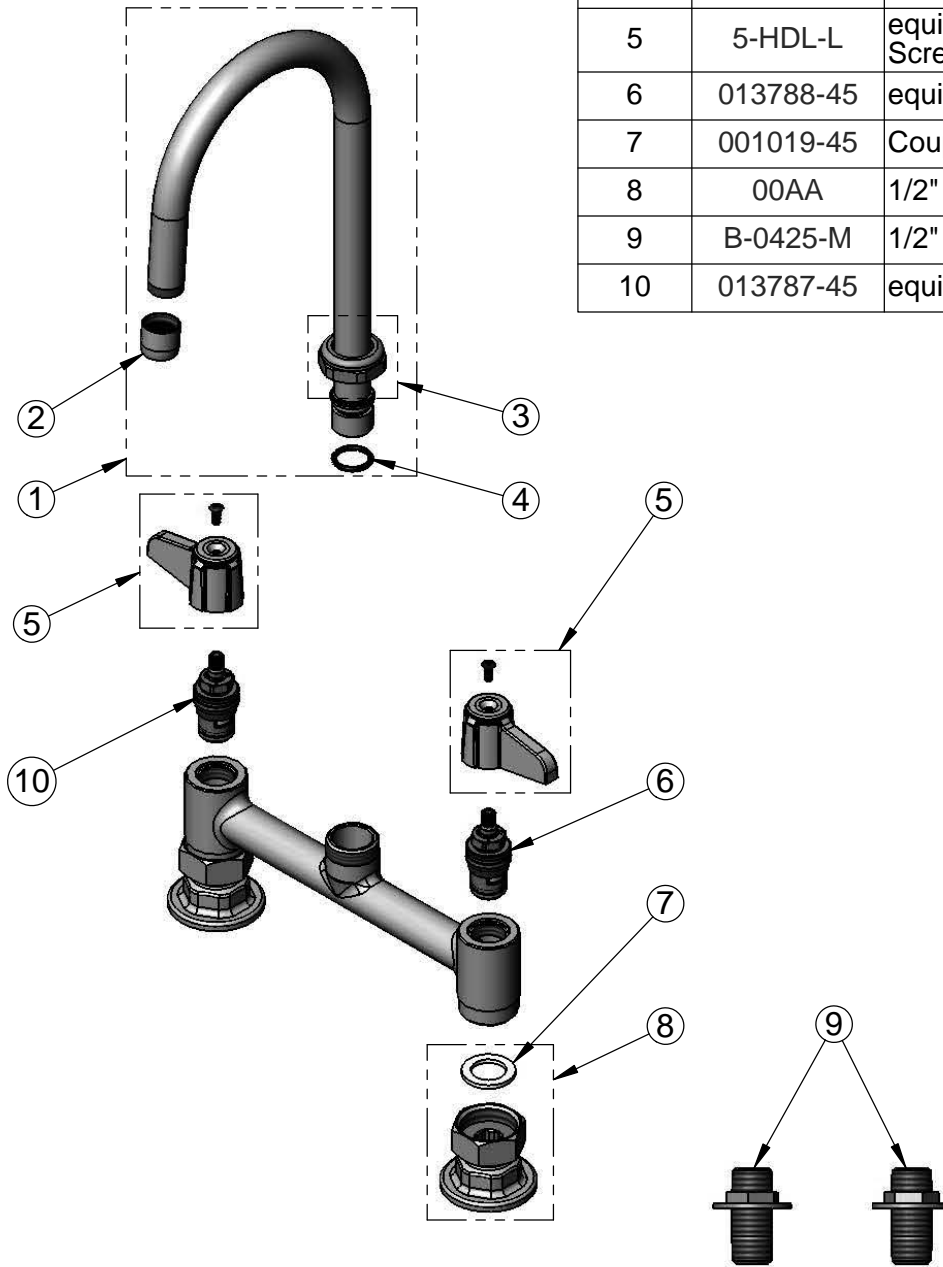
Product Specifications:

**8" Deck Mount Mixing Faucet, Ceramic Cartridges,
 equip Lever Handles, 5 1/2" equip Swivel Gooseneck
 & 1/2" NPT Supply Nipple Kit**



equip Foodservice Accessories
 2 Saddleback Cove, P.O. Box 1088
 Travelers Rest, South Carolina 29690
 Phone: 800.891.4808 Fax: 800.868.0084

ITEM NO.	SALES NO.	DESCRIPTION
1	5SP-05	5 1/2" equip Swivel Gooseneck
2	014250-45	Laminar Flow Device
3	013839-25	equip Swivel Nut
4	013848-45	equip Swivel Piece O-ring
5	5-HDL-L	equip Lever Handle w/ Color Coded Screws
6	013788-45	equip Ceramic Cartridge, LTC
7	001019-45	Coupling Nut Washer
8	00AA	1/2" NPT Inlet Flange
9	B-0425-M	1/2" NPT Supply Nipple (2)
10	013787-45	equip Ceramic Cartridge, RTC



Model Number
5F-8DLS05

Date
1/30/2013

Scale
NTS

Drawn
DHL

Checked
GEF

Approved
JHB



Product Specifications:

**8" Deck Mount Mixing Faucet, Ceramic Cartridges,
equip Lever Handles, 5 1/2" equip Swivel Gooseneck
& 1/2" NPT Supply Nipple Kit**

equip Foodservice Accessories
2 Saddleback Cove, P.O. Box 1088
Travelers Rest, South Carolina 29690
Phone: 800.891.4808 Fax: 800.868.0084