



**ADA Compliant**

*This Space for Architect/Engineer Approval*

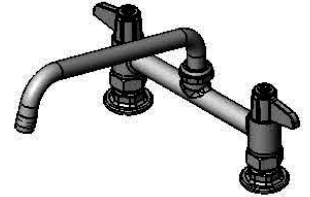
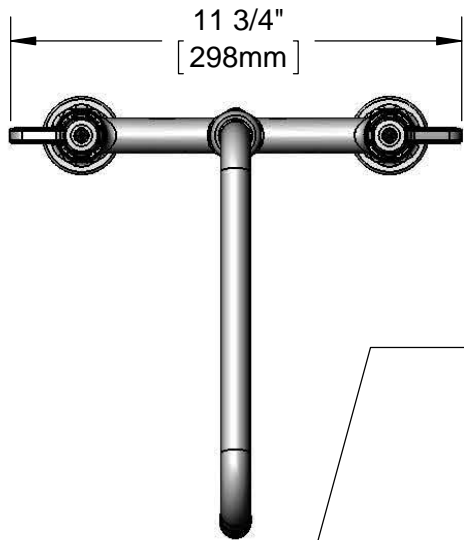
Job Name \_\_\_\_\_ Date \_\_\_\_\_

Model Specified \_\_\_\_\_ Quantity \_\_\_\_\_

Customer/Wholesaler \_\_\_\_\_

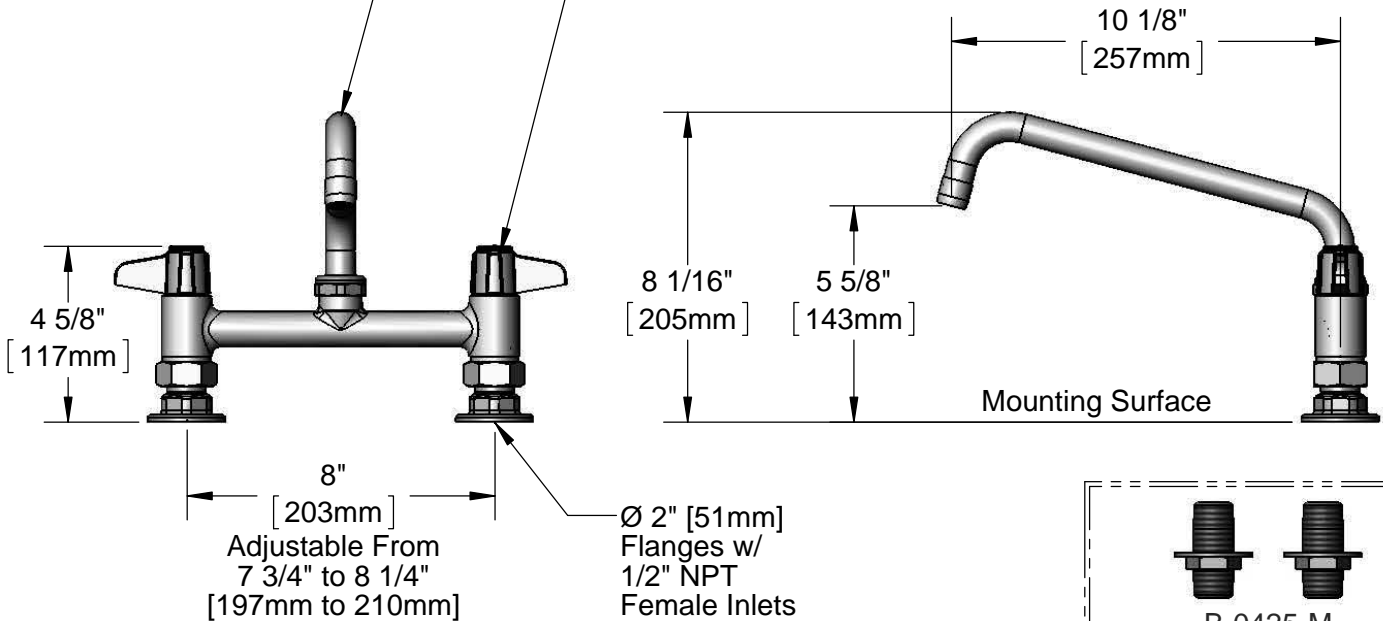
Contractor \_\_\_\_\_

Architect/Engineer \_\_\_\_\_



5SP-10  
10" equip Swing Nozzle  
w/ Laminar Flow Device.  
Rigid Conversion Requires  
014200-45 Lock Washer  
(Sold Separately)

Ceramic Cartridges &  
equip Lever Handles  
w/ Color Coded Screws



**Rough-In Requirement:**  
(2)  $\phi$  1" [25mm] Mounting Holes

Model Number <b>5F-8DLS10</b>	Date <b>12/09/13</b>	Scale <b>1:4</b>	Drawn <b>DHL</b>	Checked <b>DMH</b>	Approved <b>JHB</b>
----------------------------------	-------------------------	---------------------	---------------------	-----------------------	------------------------

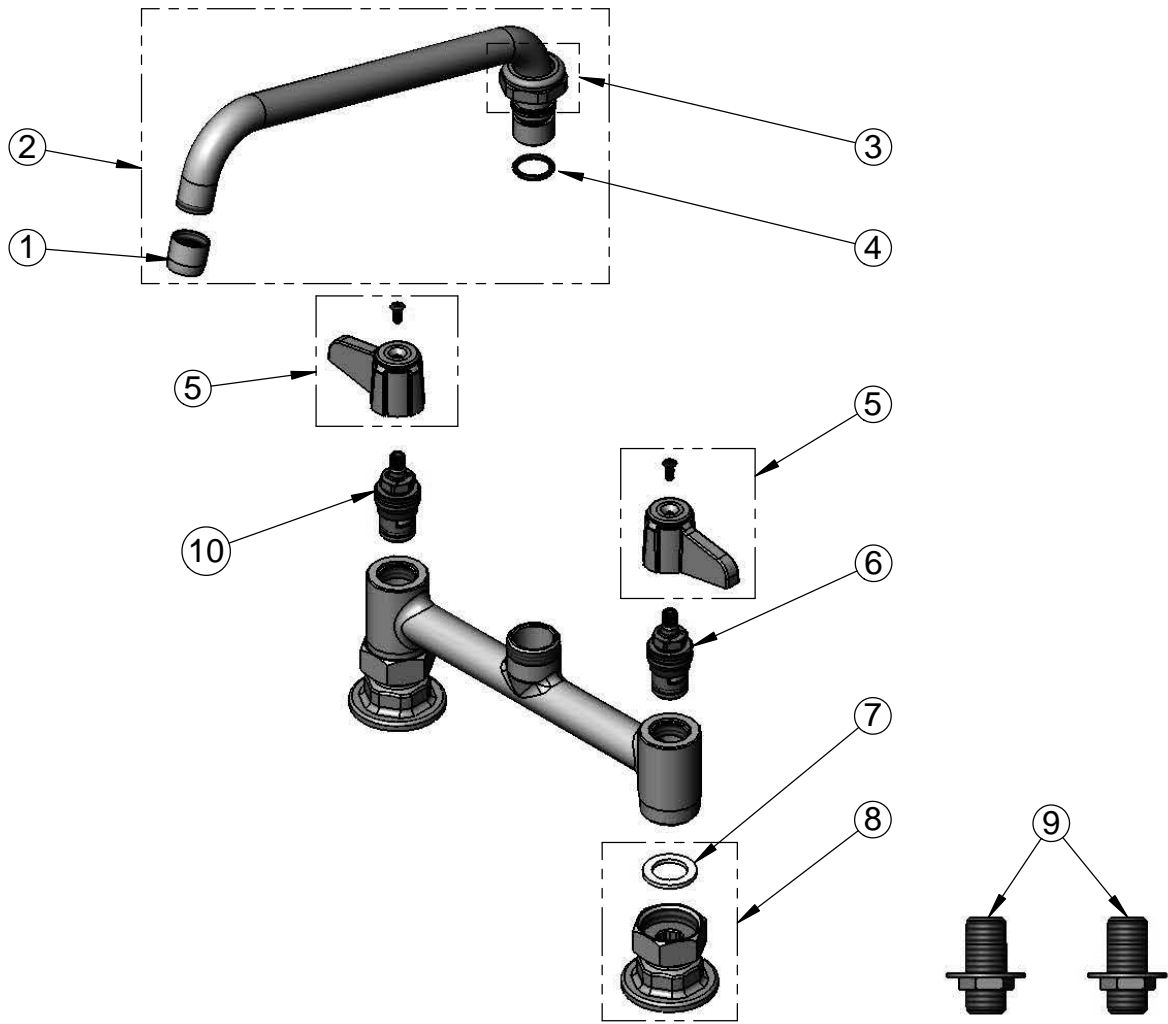


Product Specifications:

**8" Deck Mount Mixing Faucet w/ Ceramic Cartridges,  
equip Lever Handles, 10" equip Swing Nozzle  
& 1/2" NPT Supply Nipple Kit**

equip Foodservice Accessories  
2 Saddleback Cove, P.O. Box 1088  
Travelers Rest, South Carolina 29690  
Phone: 800.891.4808 Fax: 800.868.0084

ITEM NO.	SALES NO.	DESCRIPTION
1	014250-45	Laminar Flow Device
2	5SP-10	10" equip Swing Nozzle
3	013839-25	equip Swivel Nut
4	013848-45	equip Swivel Piece O-Ring
5	5-HDL-L	equip Lever Handle w/ Color Coded Screws
6	013788-45	equip Ceramic Cartridge, LTC
7	001019-45	Coupling Nut Washer
8	00AA	1/2" NPT Female Eccentric Flange
9	B-0425-M	1/2" NPT Supply Nipple Kit (2)
10	013787-45	equip Ceramic Cartridge, RTC



Model Number  
5F-8DLS10

Date  
12/09/13

Scale  
NTS

Drawn  
DHL

Checked  
DMH

Approved  
JHB



Product Specifications:

**8" Deck Mount Mixing Faucet w/ Ceramic Cartridges,  
equip Lever Handles, 10" equip Swing Nozzle  
& 1/2" NPT Supply Nipple Kit**

equip Foodservice Accessories  
2 Saddleback Cove, P.O. Box 1088  
Travelers Rest, South Carolina 29690  
Phone: 800.891.4808 Fax: 800.868.0084