



ADA Compliant

This Space for Architect/Engineer Approval

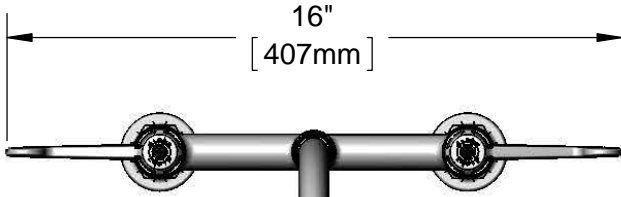
Job Name _____ Date _____

Model Specified _____ Quantity _____

Customer/Wholesaler _____

Contractor _____

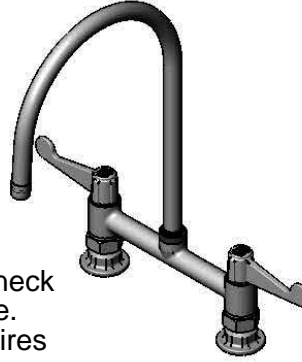
Architect/Engineer _____



16"

[407mm]

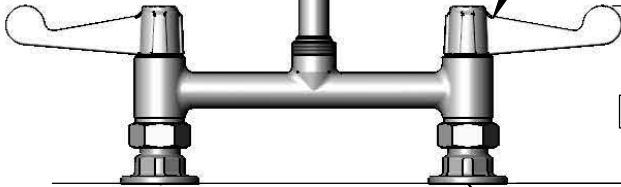
5SP-09
9" equip Swivel Gooseneck
w/ Laminar Flow Device.
Rigid Conversion Requires
014200-45 Lock Washer
(Sold Separately)



9"

[228mm]

Ceramic Cartridges &
equip 4" Wrist Action Handles
w/ Color Coded Screws



4 5/8"

[117mm]

Mounting Surface

16 15/16"
[430mm]

9 15/16"
[253mm]

8"
[203mm]

Adjustable from
7 3/4" to 8 1/4"
[197mm to 210mm]

Ø 2" [51mm]
Flanges w/
1/2" NPT
Female Inlets



B-0425-M
Supply Nipple Kit
(Included)

Rough-In Requirement:
(2) Ø 1" [25mm] Mounting Holes

Model Number 5F-8DWS09	Date 12/09/13	Scale 1:5	Drawn DHL	Checked DMH	Approved JHB
---------------------------	------------------	--------------	--------------	----------------	-----------------

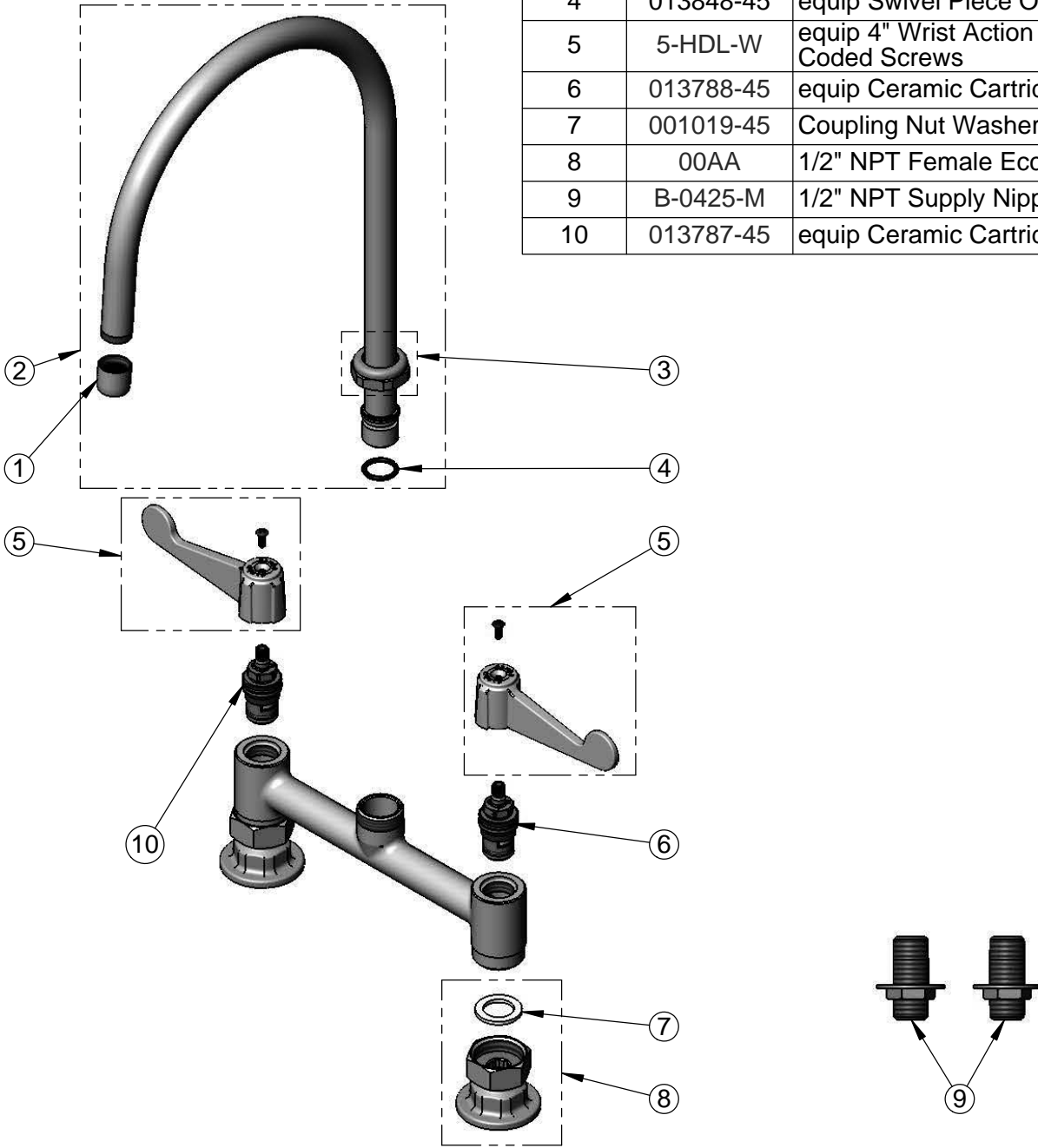
Product Specifications:

**8" Deck Mount Mixing Faucet w/ Ceramic Cartridges,
equip 4" Wrist Action Handles, 9" equip Swivel Gooseneck
& 1/2" NPT Supply Nipple Kit**



equip Foodservice Accessories
2 Saddleback Cove, P.O. Box 1088
Travelers Rest, South Carolina 29690
Phone: 800.891.4808 Fax: 800.868.0084

ITEM NO.	SALES NO.	DESCRIPTION
1	014250-45	Laminar Flow Device
2	5SP-09	9" equip Swivel Gooseneck
3	013839-25	equip Swivel Nut
4	013848-45	equip Swivel Piece O-Ring
5	5-HDL-W	equip 4" Wrist Action Handle w/ Color Coded Screws
6	013788-45	equip Ceramic Cartridge, LTC
7	001019-45	Coupling Nut Washer
8	00AA	1/2" NPT Female Eccentric Flange
9	B-0425-M	1/2" NPT Supply Nipple Kit (2)
10	013787-45	equip Ceramic Cartridge, RTC



Model Number 5F-8DWS09	Date 12/09/13	Scale 1:4	Drawn DHL	Checked DMH	Approved JHB
---------------------------	------------------	--------------	--------------	----------------	-----------------



Product Specifications:
**8" Deck Mount Mixing Faucet w/ Ceramic Cartridges,
 equip 4" Wrist Action Handles, 9" equip Swivel Gooseneck
 & 1/2" NPT Supply Nipple Kit**

equip Foodservice Accessories
 2 Saddleback Cove, P.O. Box 1088
 Travelers Rest, South Carolina 29690
 Phone: 800.891.4808 Fax: 800.868.0084