



ADA Compliant

*This Space for Architect/Engineer Approval*

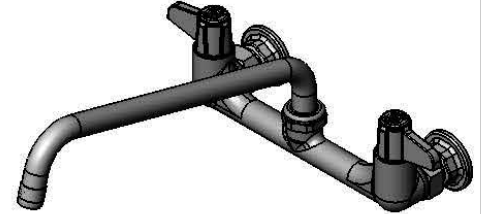
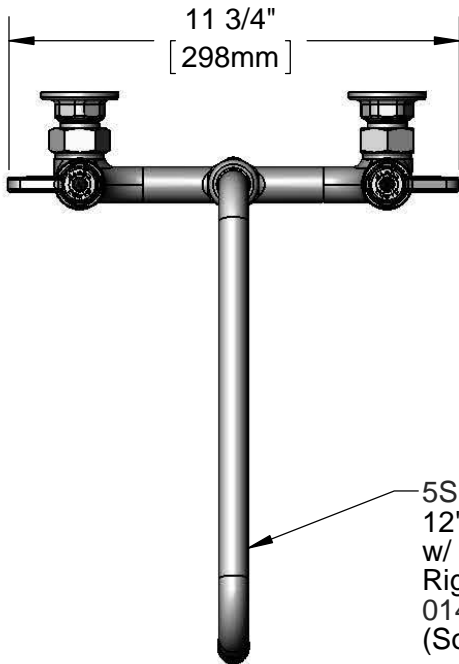
Job Name \_\_\_\_\_ Date \_\_\_\_\_

Model Specified \_\_\_\_\_ Quantity \_\_\_\_\_

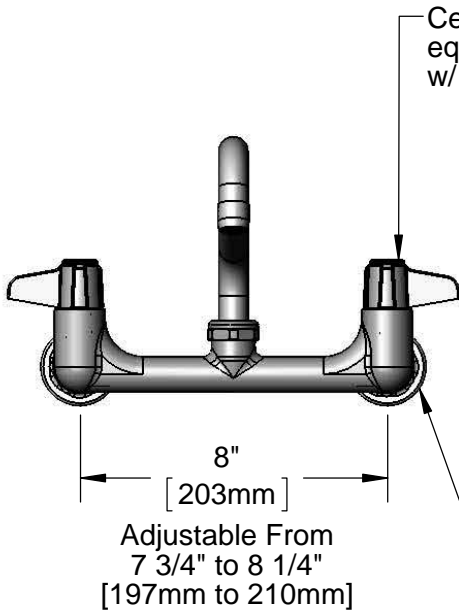
Customer/Wholesaler \_\_\_\_\_

Contractor \_\_\_\_\_

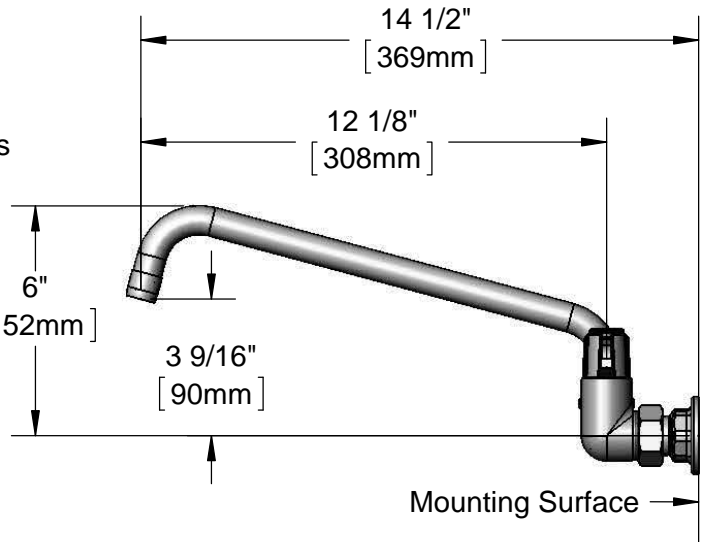
Architect/Engineer \_\_\_\_\_



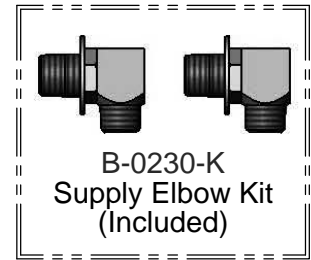
5SP-12  
12" equip Swing Nozzle  
w/ Laminar Flow Device.  
Rigid Conversion Requires  
014200-45 Lock Washer  
(Sold Separately)



Ceramic Cartridges &  
equip Lever Handles  
w/ Color Coded Screws



Mounting Surface



Rough-In Requirement:  
(2) Ø 1" [25mm] Mounting Holes

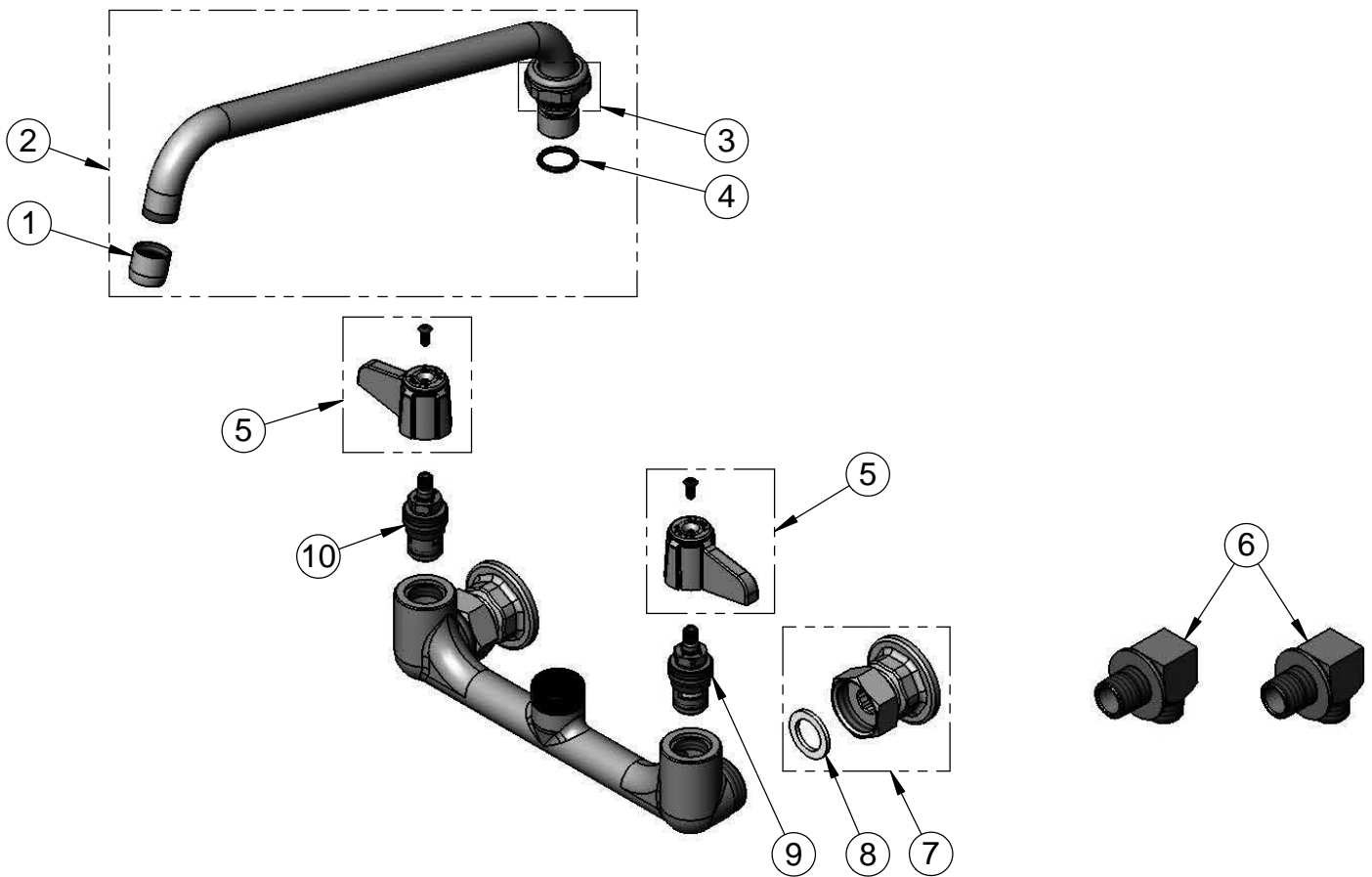
Model Number  
**5F-8WLS12**

Product Specifications:  
**8" Wall Mount Mixing Faucet, Ceramic Cartridges,  
equip Lever Handles, 12" equip Swing Nozzle  
& 1/2" NPT Supply Elbow Kit**

Product Compliance:  
ASME A112.18.1 / CSA B125.1  
NSF 61 - Section 9  
NSF 372 (Low Lead Content)  
ANSI A117.1 (ADA)

equip Foodservice Accessories  2 Saddleback Cove, P.O. Box 1088  
Travelers Rest, South Carolina 29690  
Phone: 800.891.4808 Fax: 800.868.0084  
equip.tsbrass.com

ITEM NO.	SALES NO.	DESCRIPTION
1	014250-40	Laminar Flow Device
2	5SP-12	12" equip Swing Nozzle
3	013839-25	equip Swivel Nut
4	013848-45	O-Ring, Size -115
5	5-HDL-L	equip Lever Handle w/ Color Coded Screws
6	B-0230-K	1/2" NPT Supply Inlet Kit
7	00AA	1/2" NPT Female Eccentric FlangeA2
8	001019-45	Coupling Nut Washer
9	013788-45	Equip Ceramic Cartridge, LTC
10	013787-45	Equip Ceramic Cartridge, RTC



Model Number  
**5F-8WLS12**

Product Compliance:  
ASME A112.18.1 / CSA B125.1  
NSF 61 - Section 9  
NSF 372 (Low Lead Content)  
ANSI A117.1 (ADA)

Product Specifications:  
**8" Wall Mount Mixing Faucet, Ceramic Cartridges,  
equip Lever Handles, 12" equip Swing Nozzle  
& 1/2" NPT Supply Elbow Kit**

equip  
Foodservice  
Accessories



2 Saddleback Cove, P.O. Box 1088  
Travelers Rest, South Carolina 29690  
Phone: 800.891.4808 Fax: 800.868.0084  
equip.tsbrass.com