



ADA Compliant

This Space for Architect/Engineer Approval

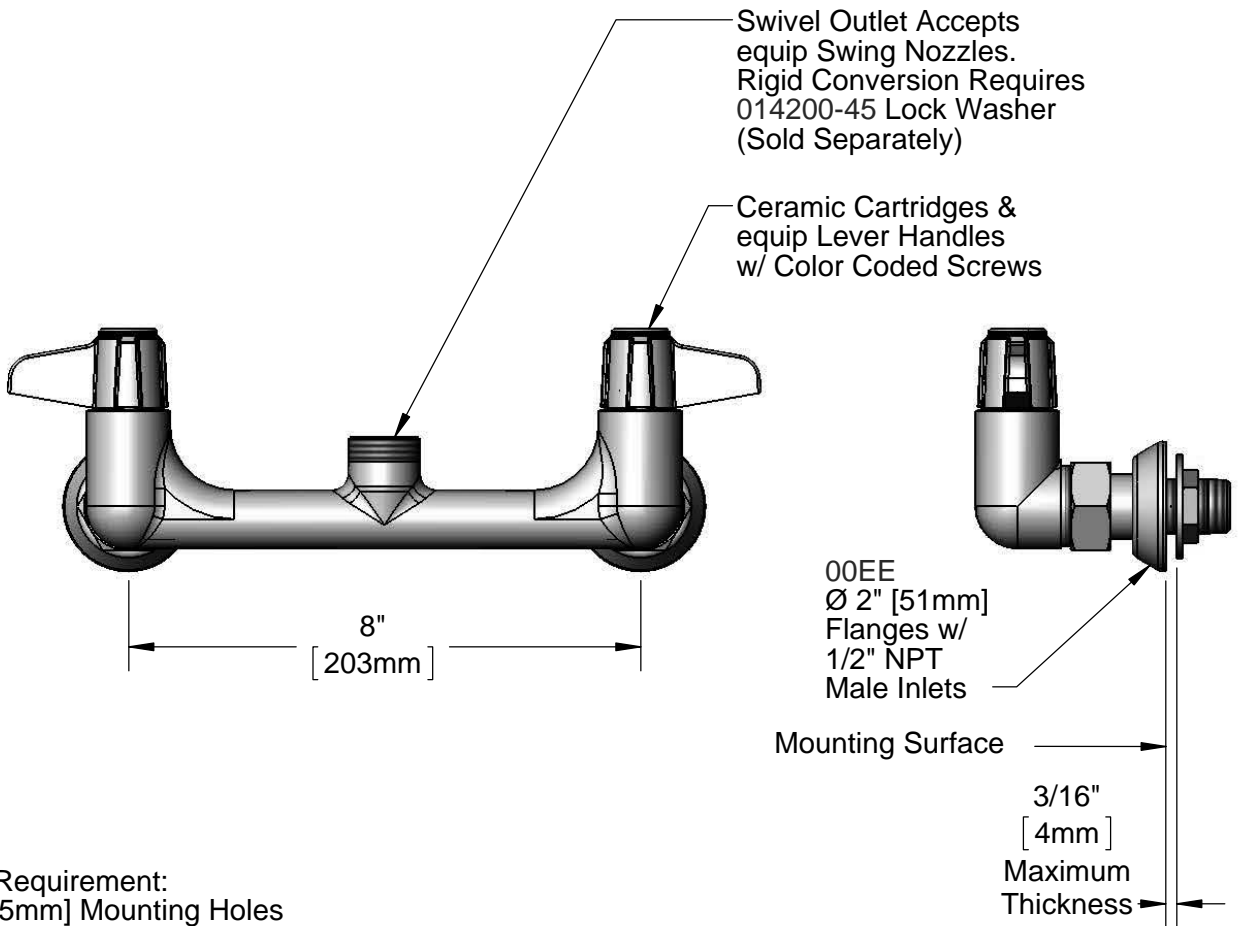
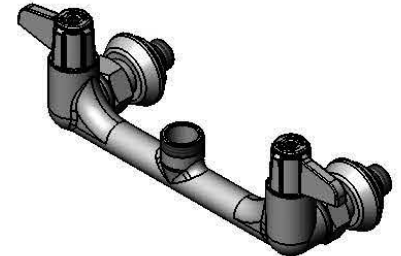
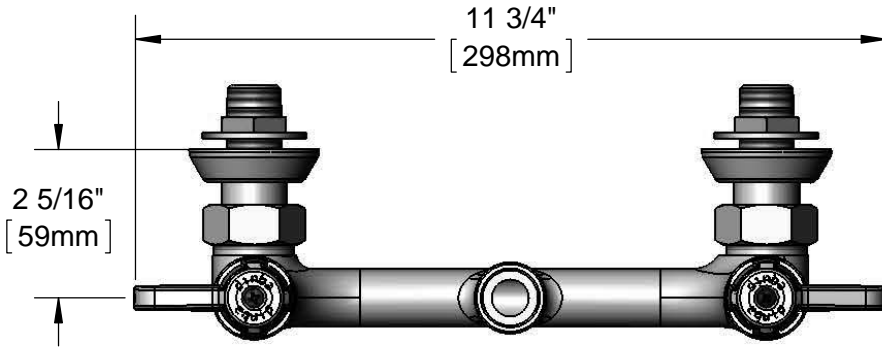
Job Name _____ Date _____

Model Specified _____ Quantity _____

Customer/Wholesaler _____

Contractor _____

Architect/Engineer _____



Swivel Outlet Accepts equip Swing Nozzles. Rigid Conversion Requires 014200-45 Lock Washer (Sold Separately)

Ceramic Cartridges & equip Lever Handles w/ Color Coded Screws

00EE
Ø 2" [51mm]
Flanges w/
1/2" NPT
Male Inlets

Mounting Surface
3/16"
[4mm]
Maximum
Thickness

Rough-In Requirement:
(2) Ø 1" [25mm] Mounting Holes

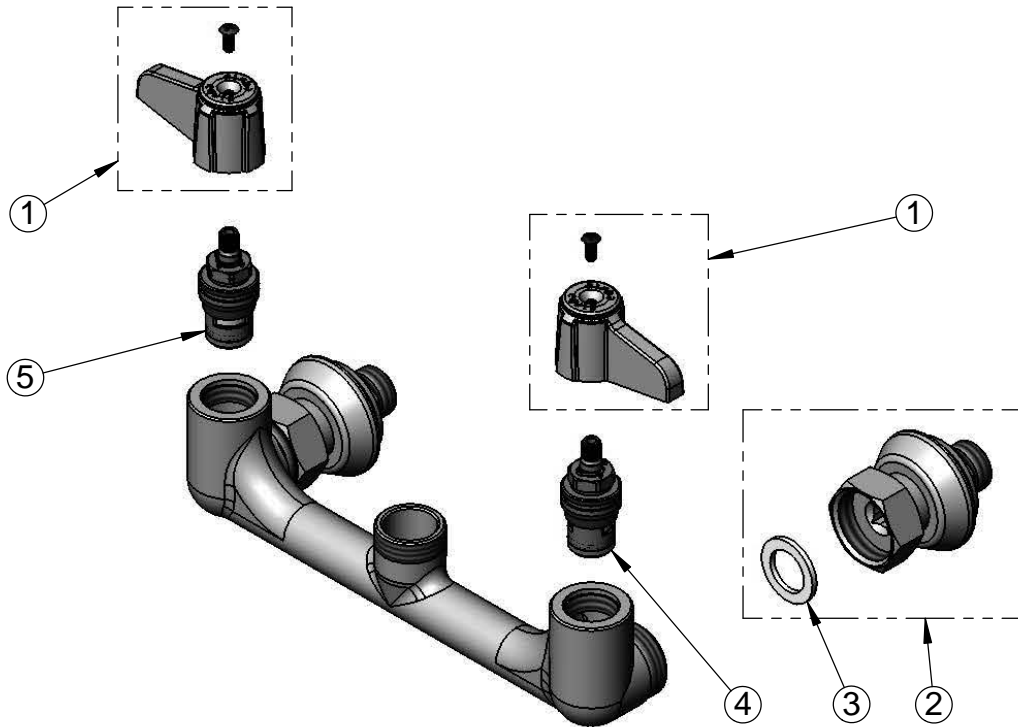
Model Number 5F-8WLX00-EE	Date 06/05/12	Scale 1:3	Drawn DHL	Checked DMH	Approved JHB
------------------------------	------------------	--------------	--------------	----------------	-----------------

Product Specifications:
8" Wall Mount Mixing Faucet, Less Nozzle, Ceramic Cartridges, equip Lever Handles & 1/2" NPT Male Inlets



equip Foodservice Accessories
2 Saddleback Cove, P.O. Box 1088
Travelers Rest, South Carolina 29690
Phone: 800.891.4808 Fax: 800.868.0084

ITEM NO.	SALES NO.	DESCRIPTION
1	5-HDL-L	equip Lever Handle w/ Color Coded Screws
2	00EE	1/2" NPT Male Inlet Flange
3	001019-45	Coupling Nut Washer
4	013788-45	equip Ceramic Cartridge, LTC
5	013787-45	equip Ceramic Cartridge, RTC



Model Number
5F-8WLX00-EE

Date
06/05/12

Scale
NTS

Drawn
DHL

Checked
DMH

Approved
JHB



Product Specifications:

8" Wall Mount Mixing Faucet, Less Nozzle, Ceramic Cartridges,
equip Lever Handles & 1/2" NPT Male Inlets

equip Foodservice Accessories
2 Saddleback Cove, P.O. Box 1088
Travelers Rest, South Carolina 29690
Phone: 800.891.4808 Fax: 800.868.0084