

ADA Compliant

This Space for Architect/Engineer Approval

Job Name _____ Date _____

Model Specified _____ Quantity _____

Customer/Wholesaler _____

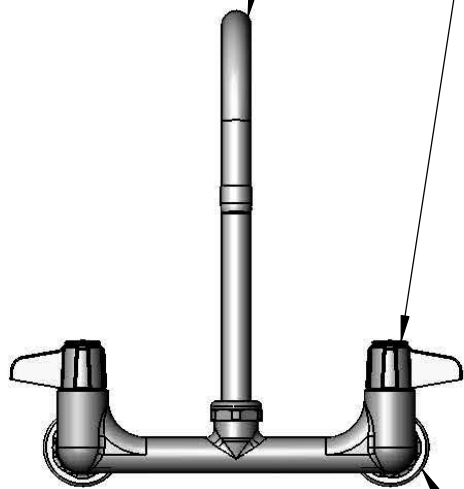
Contractor _____

Architect/Engineer _____



5SP-05
5 1/2" equip Swivel Gooseneck
w/ Laminar Flow Device.
Rigid Conversion Requires
014200-45 Lock Washer
(Sold Separately)

Ceramic Cartridges &
equip Lever Handles
w/ Color Coded Screws



8"
[203mm]
Adjustable From
7 3/4" to 8 1/4"
[197mm to 210mm]

11 3/8"
[289mm]

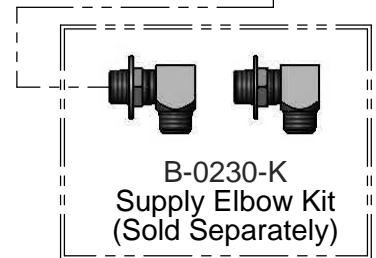
6 1/8"
[155mm]

Ø 2" [51mm]
Flanges w/
1/2" NP
Female Inlets

7 15/16"
[201mm]

5 9/16"
[141mm]

Mounting Surface



Model Number

5F-8WLX05

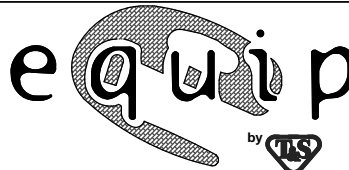
Product Specifications:

8" Wall Mount Mixing Faucet w/ Ceramic Cartridges, equip Lever Handles, 5 1/2" equip Swivel Gooseneck & 1/2" NPT Female Inlets

Product Compliance:

ASME A112.18.1 / CSA B125.1
NSF 61 - Section 9
NSF 372 (Low Lead Content)
ANSI A117.1 (ADA)

equip
Foodservice
Accessories



2 Saddleback Cove, P.O. Box 1088
Travelers Rest, South Carolina 29690
Phone: 800.891.4808 Fax: 800.868.0084
equip.tsbrass.com

Drawn: DHL

Checked:

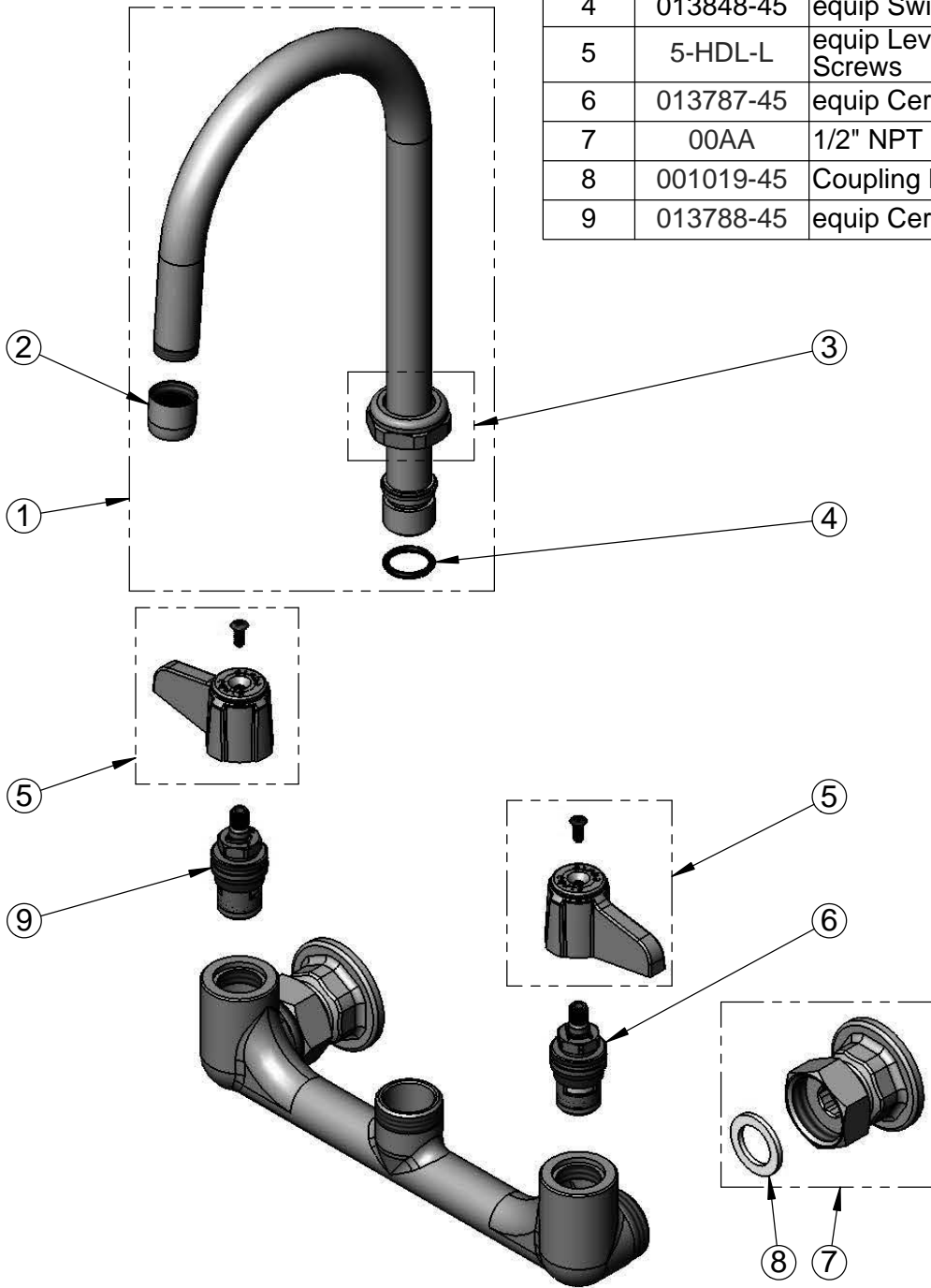
Approved: JHB

Date: 11/10/15

Scale: 1:5

Sheet: 1 of 2

ITEM NO.	SALES NO.	DESCRIPTION
1	5SP-05	5 1/2" equip Swivel Gooseneck
2	014250-45	Laminar Flow Device
3	013839-25	equip Swivel Nut
4	013848-45	equip Swivel Piece O-ring
5	5-HDL-L	equip Lever Handle w/ Color Coded Screws
6	013787-45	equip Ceramic Cartridge, RTC
7	00AA	1/2" NPT Female Eccentric Flange
8	001019-45	Coupling Nut Washer
9	013788-45	equip Ceramic Cartridge, LTC



Model Number

5F-8WLX05

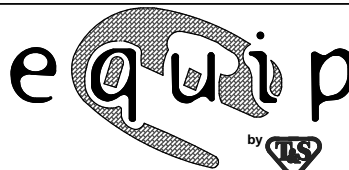
Product Specifications:

8" Wall Mount Mixing Faucet w/ Ceramic Cartridges, equip Lever Handles, 5 1/2" equip Swivel Gooseneck & 1/2" NPT Female Inlets

Product Compliance:

ASME A112.18.1 / CSA B125.1
NSF 61 - Section 9
NSF 372 (Low Lead Content)
ANSI A117.1 (ADA)

equip
Foodservice
Accessories



2 Saddleback Cove, P.O. Box 1088
Travelers Rest, South Carolina 29690
Phone: 800.891.4808 Fax: 800.868.0084
equip.tsbrass.com