

**ADA Compliant**

*This Space for Architect/Engineer Approval*

Job Name \_\_\_\_\_ Date \_\_\_\_\_

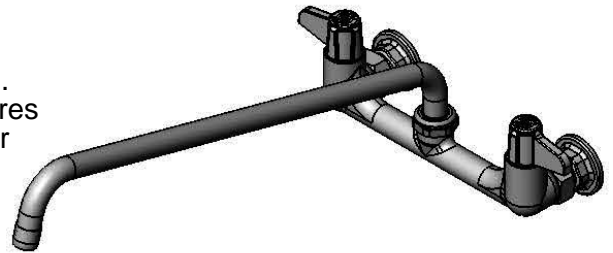
Model Specified \_\_\_\_\_ Quantity \_\_\_\_\_

Customer/Wholesaler \_\_\_\_\_

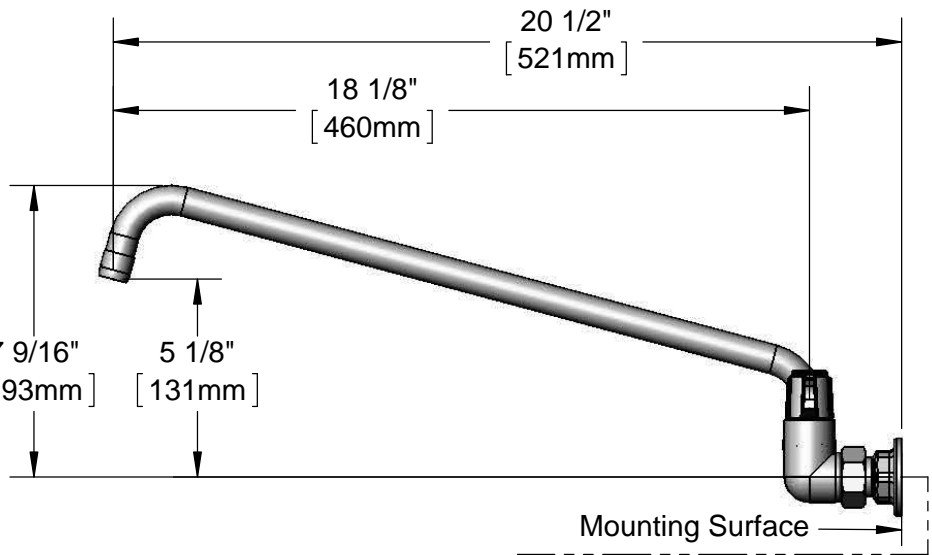
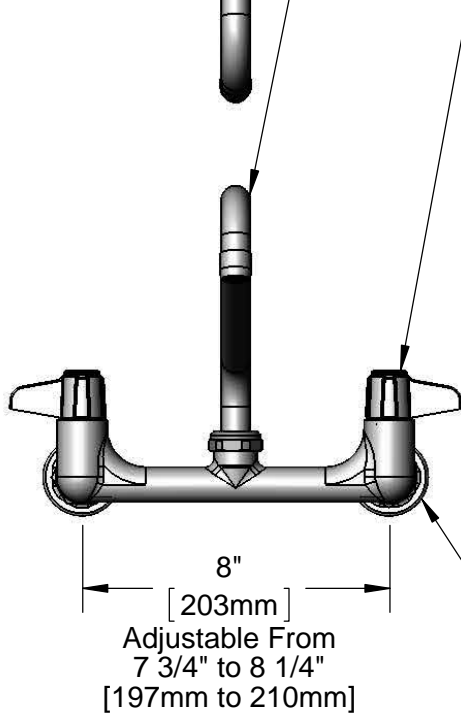
Contractor \_\_\_\_\_

Architect/Engineer \_\_\_\_\_

5SP-18  
18" equip Swing Nozzle  
w/ Laminar Flow Device.  
Rigid Conversion Requires  
014200-45 Lock Washer  
(Sold Separately)



Ceramic Cartridges &  
equip Lever Handles  
w/ Color Coded Screws



Ø 2" [51mm]  
Flanges w/  
1/2" NPT  
Female Inlets

Mounting Surface



B-0230-K  
Supply Elbow Kit  
(Sold Separately)

Model Number  
5F-8WLX18

Date  
06/05/12

Scale  
1:4

Drawn  
DHL

Checked  
DMH

Approved  
JHB

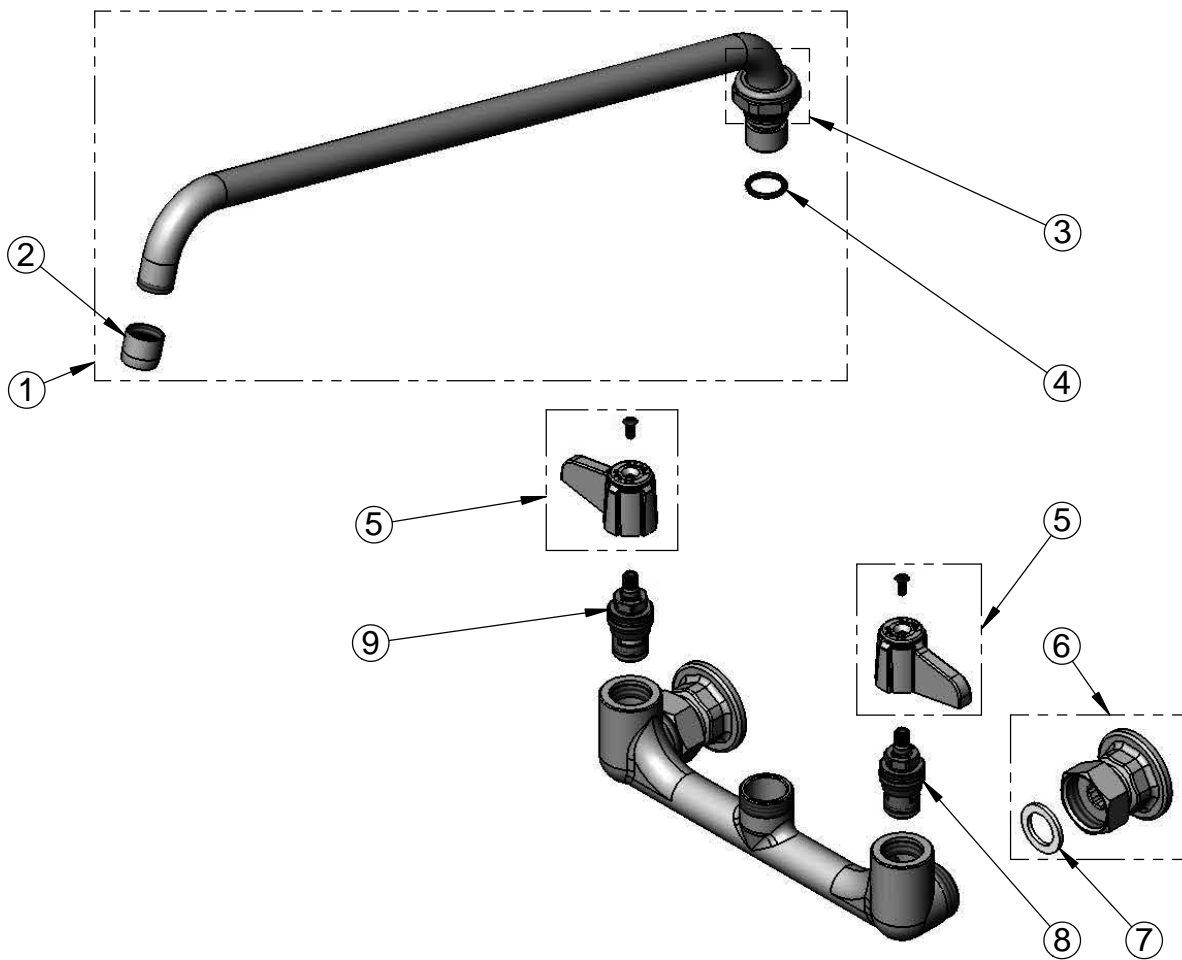


Product Specifications:

8" Wall Mount Mixing Faucet w/ Ceramic Cartridges,  
equip Lever Handles, 18" equip Swing Nozzle  
& 1/2" NPT Female Inlets

equip Foodservice Accessories  
2 Saddleback Cove, P.O. Box 1088  
Travelers Rest, South Carolina 29690  
Phone: 800.891.4808 Fax: 800.868.0084

ITEM NO.	SALES NO.	DESCRIPTION
1	5SP-18	18" equip Swing Nozzle
2	014250-40	Laminar Flow Device
3	013839-25	equip Swivel Nut
4	013848-45	equip Swivel Piece O-ring
5	5-HDL-L	equip Lever Handle w/ Color Coded Screws
6	00AA	Flange Assembly
7	001019-45	Coupling Nut Washer
8	013788-45	equip Ceramic Cartridge, LTC
9	013787-45	equip Ceramic Cartridge, RTC



Model Number 5F-8WLX18	Date 06/05/12	Scale NTS	Drawn DHL	Checked DMH	Approved JHB
---------------------------	------------------	--------------	--------------	----------------	-----------------



Product Specifications:  
8" Wall Mount Mixing Faucet w/ Ceramic Cartridges,  
equip Lever Handles, 18" equip Swing Nozzle  
& 1/2" NPT Female Inlets

equip Foodservice Accessories  
2 Saddleback Cove, P.O. Box 1088  
Travelers Rest, South Carolina 29690  
Phone: 800.891.4808 Fax: 800.868.0084