



ADA Compliant

This Space for Architect/Engineer Approval

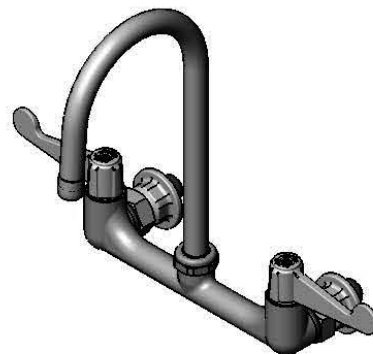
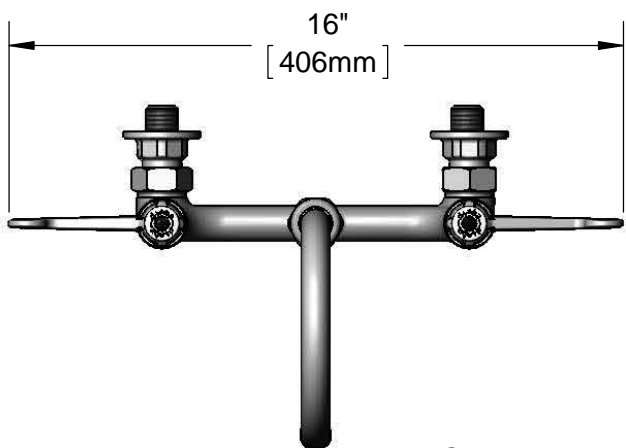
Job Name _____ Date _____

Model Specified _____ Quantity _____

Customer/Wholesaler _____

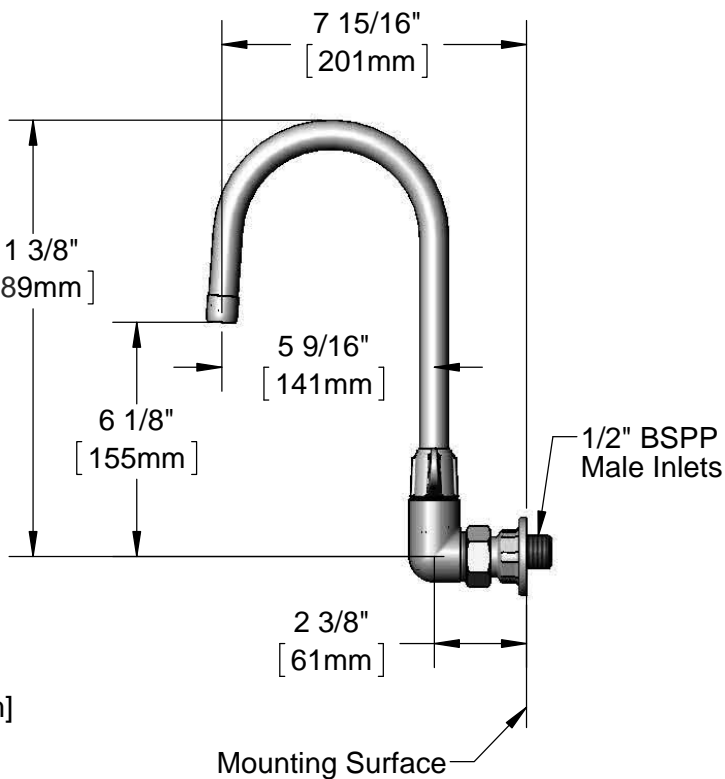
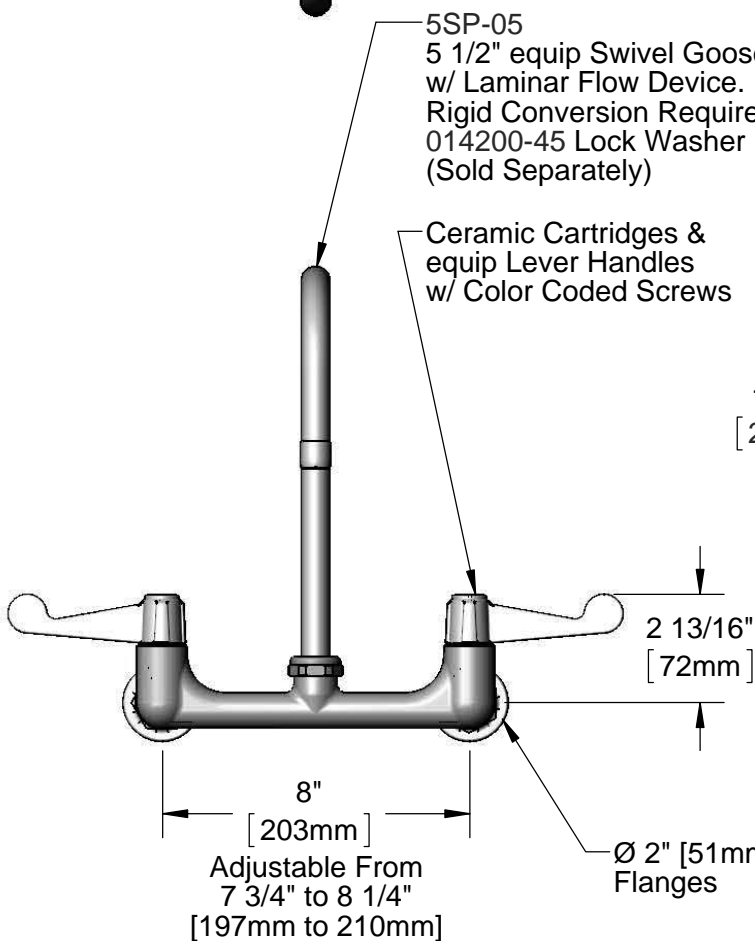
Contractor _____

Architect/Engineer _____



5SP-05
5 1/2" equip Swivel Gooseneck
w/ Laminar Flow Device.
Rigid Conversion Requires
014200-45 Lock Washer
(Sold Separately)

Ceramic Cartridges &
equip Lever Handles
w/ Color Coded Screws



Rough-In Requirement:
(2) \varnothing 1" [25mm] Mounting Holes

Model Number

5F-8WWB05

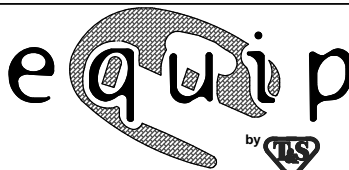
Product Specifications:

8" Wall Mount Mixing Faucet, Ceramic Cartridges,
equip 4" Wrist Action Handles, 5 1/2" equip Swivel
Gooseneck & 1/2" BSPP Male Inlets

Product Compliance:

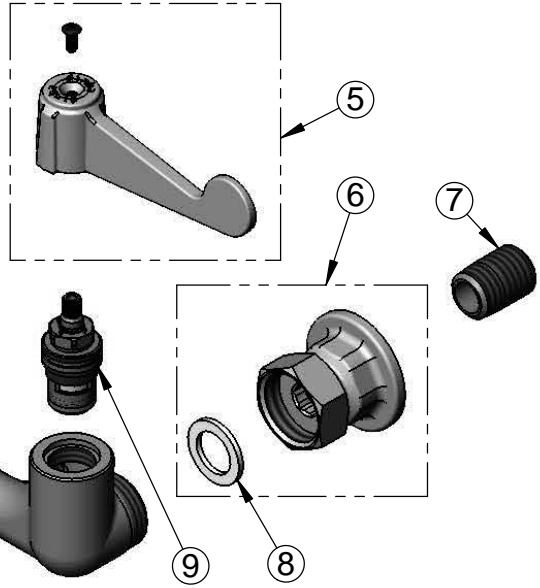
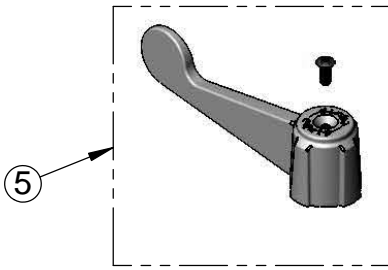
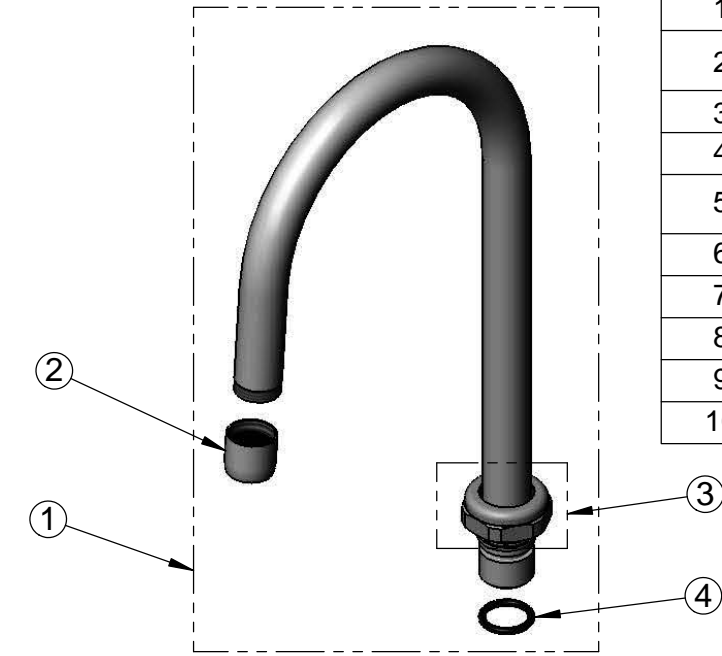
ASME A112.18.1 / CSA B125.1
NSF 61 - Section 9
NSF 372 (Low Lead Content)
ANSI A117.1 (ADA)

equip
Foodservice
Accessories



2 Saddleback Cove, P.O. Box 1088
Travelers Rest, South Carolina 29690
Phone: 800.891.4808 Fax: 800.868.0084
equip.tsbrass.com

| ITEM NO. | SALES NO. | DESCRIPTION |
|----------|-----------|--|
| 1 | 5SP-05 | 5 1/2" equip Swivel Gooseneck |
| 2 | 014250-45 | Laminar Flow Device, 3/4-27 UN Female |
| 3 | 013839-25 | Swivel Nut |
| 4 | 013848-45 | equip Swivel Piece O-Ring |
| 5 | 5-HDL-W | equip 4" Wrist Action Handle w/ Color Coded Screws |
| 6 | 00AA | 1/2" NPT Female Eccentric Flange |
| 7 | 019047-45 | Supply Nipple, 1/2" NPT x 1/2" BSPP |
| 8 | 001019-45 | Coupling Nut Washer |
| 9 | 013788-45 | Equip Ceramic Cartridge, LTC |
| 10 | 013787-45 | Equip Ceramic Cartridge, RTC |



Model Number
5F-8WWB05

Product Specifications:
8" Wall Mount Mixing Faucet, Ceramic Cartridges,
equip 4" Wrist Action Handles, 5 1/2" equip Swivel
Gooseneck & 1/2" BSPP Male Inlets

Product Compliance:
ASME A112.18.1 / CSA B125.1
NSF 61 - Section 9
NSF 372 (Low Lead Content)
ANSI A117.1 (ADA)

equip
Foodservice
Accessories



2 Saddleback Cove, P.O. Box 1088
Travelers Rest, South Carolina 29690
Phone: 800.891.4808 Fax: 800.868.0084
equip.tsbrass.com