



ADA Compliant

This Space for Architect/Engineer Approval

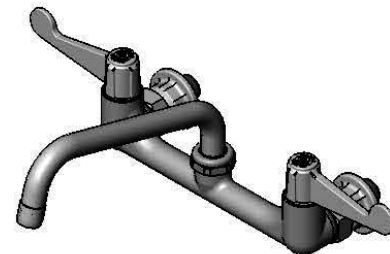
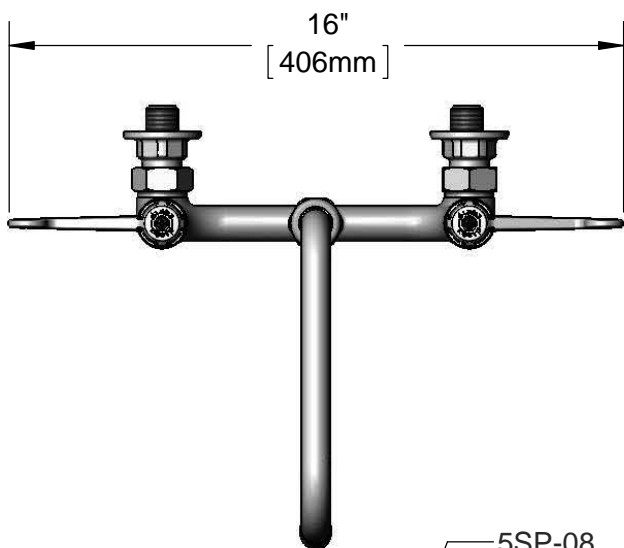
Job Name _____ Date _____

Model Specified _____ Quantity _____

Customer/Wholesaler _____

Contractor _____

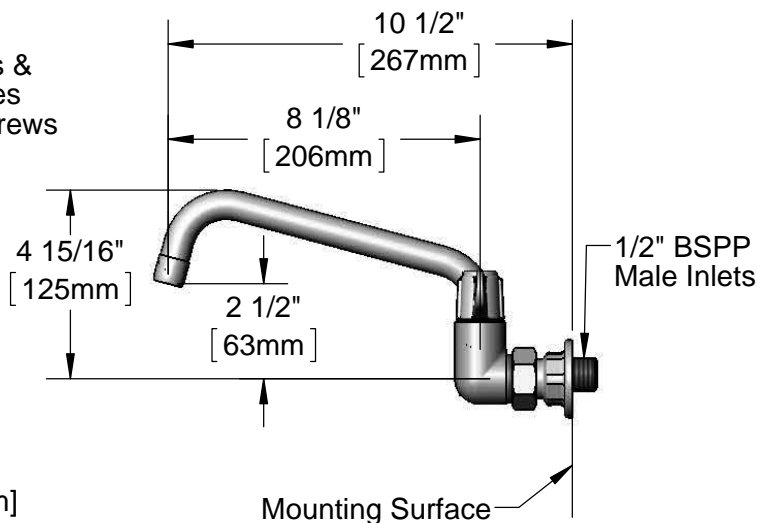
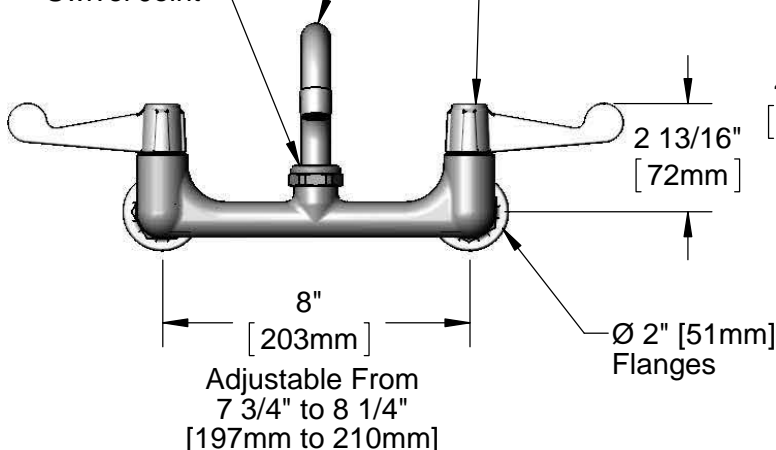
Architect/Engineer _____



5SP-08
8" equip Swing Nozzle
w/ Laminar Flow Device.
Rigid Conversion Requires
014200-45 Lock Washer
(Sold Separately)

Ceramic Cartridges &
equip Lever Handles
w/ Color Coded Screws

Swivel Joint



Rough-In Requirement:
(2) \varnothing 1" [25mm] Mounting Holes

Model Number

5F-8WWB08

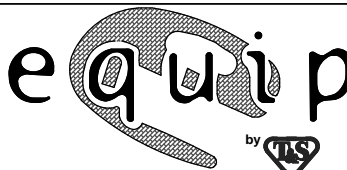
Product Specifications:

8" Wall Mount Mixing Faucet, Ceramic Cartridges,
equip 4" Wrist Action Handles, 8" equip Swing
Nozzle & 1/2" BSPP Male Inlets

Product Compliance:

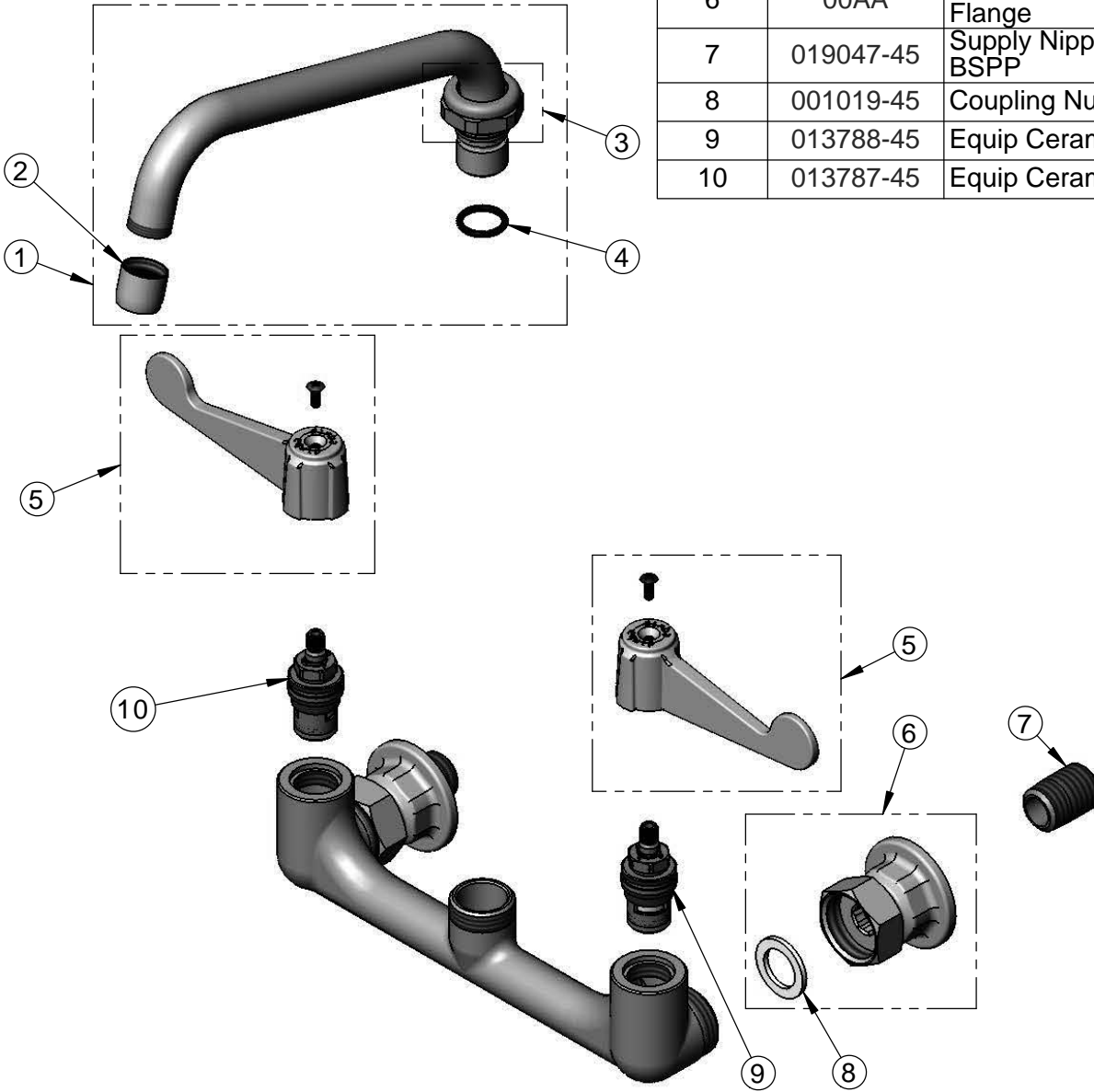
ASME A112.18.1 / CSA B125.1
NSF 61 - Section 9
NSF 372 (Low Lead Content)
ANSI A117.1 (ADA)

equip
Foodservice
Accessories



2 Saddleback Cove, P.O. Box 1088
Travelers Rest, South Carolina 29690
Phone: 800.891.4808 Fax: 800.868.0084
equip.tsbrass.com

ITEM NO.	SALES NO.	DESCRIPTION
1	5SP-08	8" equip Swing Nozzle
2	014250-45	Laminar Flow Device, 3/4-27 UN Female
3	013839-25	Swivel Nut
4	013848-45	equip Swivel Piece O-Ring
5	5-HDL-W	equip 4" Wrist Action Handle w/ Color Coded Screws
6	00AA	1/2" NPT Female Eccentric Flange
7	019047-45	Supply Nipple, 1/2" NPT x 1/2" BSP
8	001019-45	Coupling Nut Washer
9	013788-45	Equip Ceramic Cartridge, LTC
10	013787-45	Equip Ceramic Cartridge, RTC



Model Number

5F-8WWB08

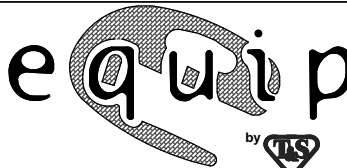
Product Specifications:

8" Wall Mount Mixing Faucet, Ceramic Cartridges,
equip 4" Wrist Action Handles, 8" equip Swing
Nozzle & 1/2" BSSP Male Inlets

Product Compliance:

ASME A112.18.1 / CSA B125.1
NSF 61 - Section 9
NSF 372 (Low Lead Content)
ANSI A117.1 (ADA)

equip
Foodservice
Accessories



2 Saddleback Cove, P.O. Box 1088
Travelers Rest, South Carolina 29690
Phone: 800.891.4808 Fax: 800.868.0084
equip.tsbrass.com