



**ADA Compliant**

*This Space for Architect/Engineer Approval*

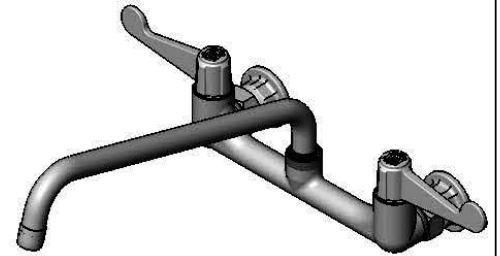
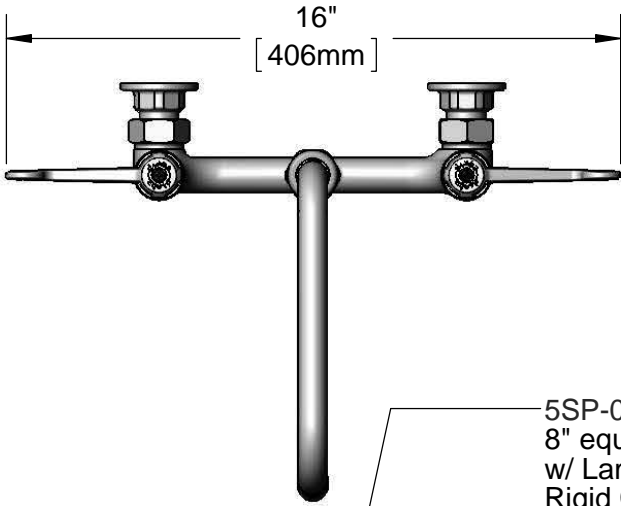
Job Name \_\_\_\_\_ Date \_\_\_\_\_

Model Specified \_\_\_\_\_ Quantity \_\_\_\_\_

Customer/Wholesaler \_\_\_\_\_

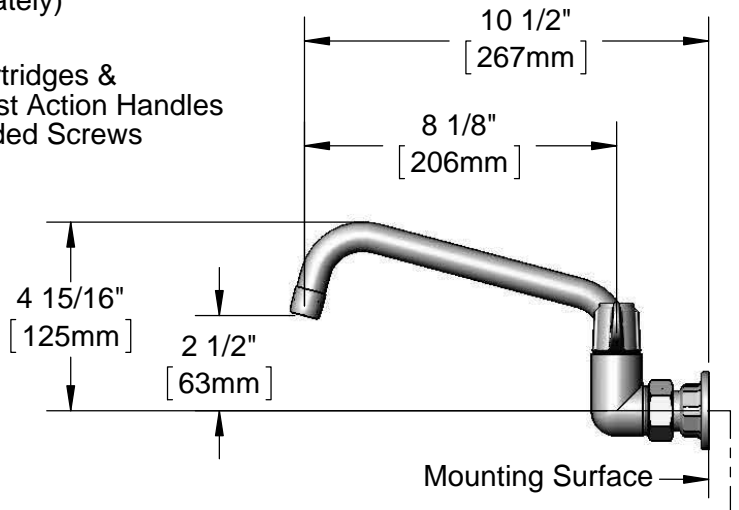
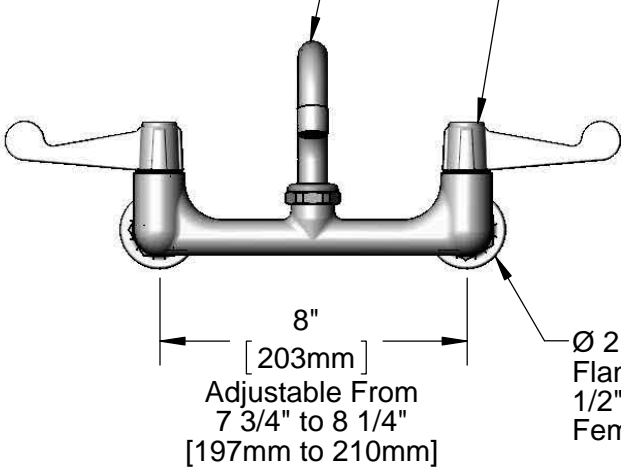
Contractor \_\_\_\_\_

Architect/Engineer \_\_\_\_\_



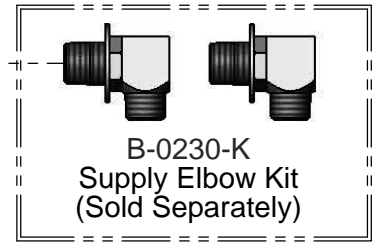
5SP-08  
8" equip Swing Nozzle  
w/ Laminar Flow Device.  
Rigid Conversion Requires  
014200-45 Lock Washer  
(Sold Separately)

Ceramic Cartridges &  
equip 4" Wrist Action Handles  
w/ Color Coded Screws



Mounting Surface

Ø 2" [51mm]  
Flanges w/  
1/2" NPT  
Female Inlets



B-0230-K  
Supply Elbow Kit  
(Sold Separately)

Model Number  
5F-8WWX08

Date  
05/14/13

Scale  
1:5

Drawn  
KJG

Checked  
DMH

Approved  
JHB

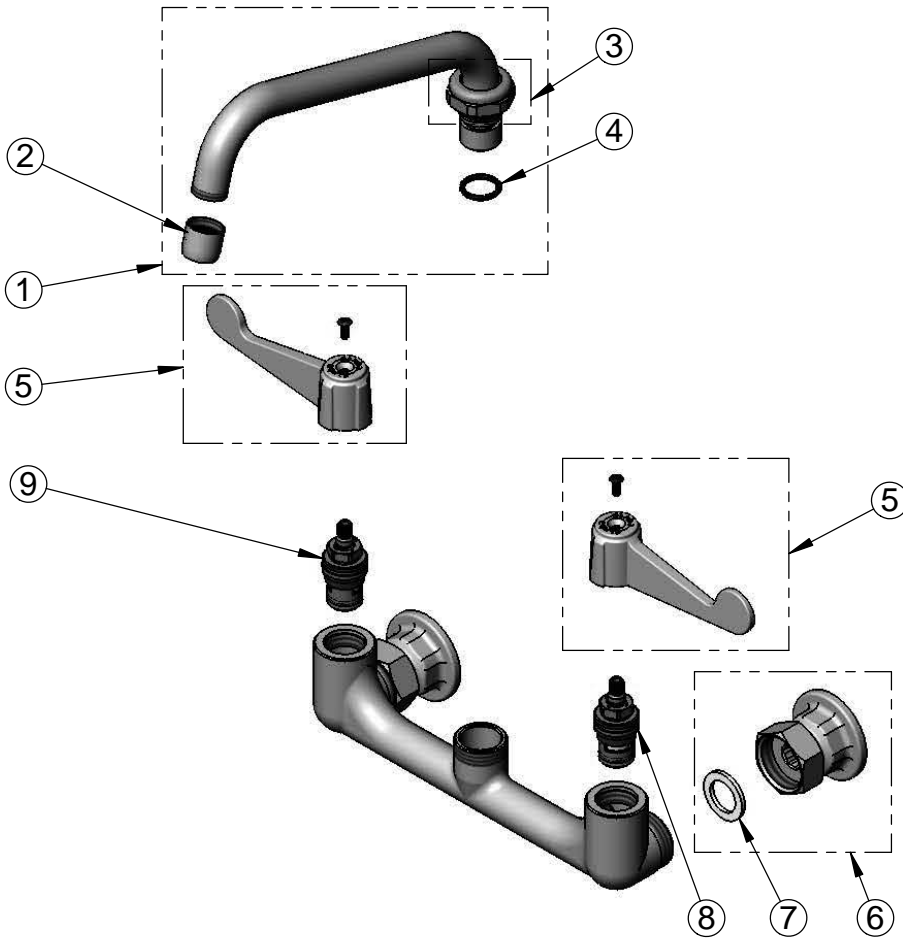


Product Specifications:

**8" Wall Mount Mixing Faucet w/ Ceramic Cartridges,  
equip 4" Wrist Action Handles, 8" equip Swing Nozzle  
& 1/2" NPT Female Inlets**

equip Foodservice Accessories  
2 Saddleback Cove, P.O. Box 1088  
Travelers Rest, South Carolina 29690  
Phone: 800.891.4808 Fax: 800.868.0084

ITEM NO.	SALES NO.	DESCRIPTION
1	5SP-08	8"equip Swing Nozzle
2	014250-40	Laminar Flow Device
3	013839-25	equip Swivel Nut
4	013848-45	equip Swivel Piece O-Ring
5	5-HDL-W	equip 4" Wrist Action Handle w/ Color Coded Screws
6	00AA	1/2" NPT Female Eccentric Flange
7	001019-45	Coupling Nut Washer
8	013788-45	equip Ceramic Cartridge, LTC
9	013787-45	equip Ceramic Cartridge, RTC



Model Number 5F-8WWX08	Date 05/14/13	Scale 1:8	Drawn KJG	Checked DMH	Approved JHB
---------------------------	------------------	--------------	--------------	----------------	-----------------



Product Specifications:  
**8" Wall Mount Mixing Faucet w/ Ceramic Cartridges,  
 equip 4" Wrist Action Handles, 8" equip Swing Nozzle  
 & 1/2" NPT Female Inlets**

equip Foodservice Accessories  
 2 Saddleback Cove, P.O. Box 1088  
 Travelers Rest, South Carolina 29690  
 Phone: 800.891.4808 Fax: 800.868.0084