

This Space for Architect/Engineer Approval

Job Name _____ Date _____
 Model Specified _____ Quantity _____
 Customer/Wholesaler _____
 Contractor _____
 Architect/Engineer _____



2 3/8"
[60mm]

equip 44" Flexible
Stainless Steel Hose w/
Spring & Spray Valve

Items Not Shown
For Clarity

Finger Hook

3/8" NPT x 18" Riser

5SV
1.42 GPM
Spray Valve

Ceramic Cartridge &
equip Lever Handle w/
Color Coded Screw

Mounting Surface

Ø 2 1/4" [57mm]
Flange w/
1/2" NPSM
Male Inlet

2 1/2"
[63mm]

4"
[102mm]

16 1/2"
[419mm]

013716-40
6" Wall
Bracket

34 13/16"
[885mm]

1 5/8"
[42mm]
Maximum
Thickness

Rough-In Requirement:
Ø 1" [25mm] Mounting Hole

Model Number

5PR-1S00

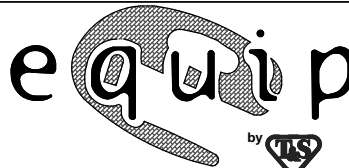
Product Specifications:

Pre-Rinse Unit: Single Hole Deck Mount Faucet, Ceramic Cartridge, 44" Flexible Stainless Steel Hose, 1.42 GPM equip Spray Valve, 6" Wall Bracket & 1/2" NPSM Male Inlet

Product Compliance:

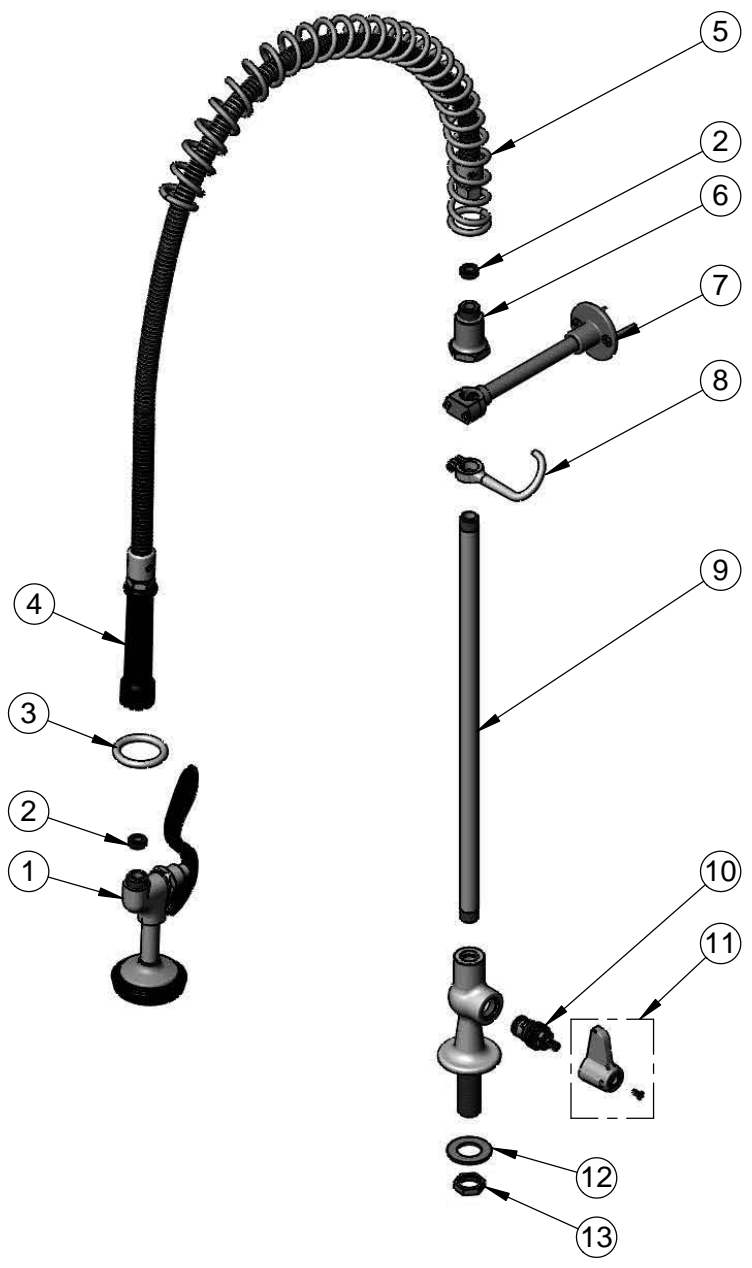
ASME A112.18.1 / CSA B125.1
 NSF 61 - Section 9
 NSF 372 (Low Lead Content)
 EPA Act 2005 (PRSV)

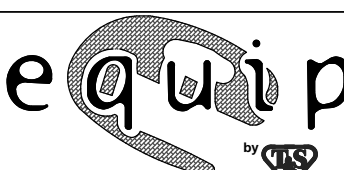
equip
Foodservice
Accessories



2 Saddleback Cove, P.O. Box 1088
 Travelers Rest, South Carolina 29690
 Phone: 800.891.4808 Fax: 800.868.0084
 equip.tsbrass.com

ITEM NO.	SALES NO.	DESCRIPTION
1	5SV	equip 1.42 GPM Spray Valve
2	010476-45	#27 Washer
3	000907-45	Spray Valve Hold Down Ring
4	5HSE44	equip 44" Flexible Stainless Steel Hose
5	014068-45	Overhead Spring
6	000821-40	Spring Body
7	013716-40	6" Wall Bracket
8	004R	Finger Hook
9	000369-40	3/8" NPT x 18" Riser
10	013787-45	equip Ceramic Cartridge, RTC
11	5-HDL-L	equip Lever Handle w/ Color Coded Screws
12	000999-45	Brass Lock Washer
13	002954-45	Shank Lock Nut



Model Number 5PR-1S00		Product Specifications: Pre-Rinse Unit: Single Hole Deck Mount Faucet, Ceramic Cartridge, 44" Flexible Stainless Steel Hose, 1.42 GPM equip Spray Valve, 6" Wall Bracket & 1/2 NPSM Male Inlet	
Product Compliance: ASME A112.18.1 / CSA B125.1 NSF 61 - Section 9 NSF 372 (Low Lead Content) EPA Act 2005 (PRSV)		 equip Foodservice Accessories	
Drawn: JBC	Checked: JRM	Approved: JHB	Date: 10/09/15
Scale: NTS	Sheet: 2 of 2		2 Saddleback Cove, P.O. Box 1088 Travelers Rest, South Carolina 29690 Phone: 800.891.4808 Fax: 800.868.0084 equip.tsbrass.com