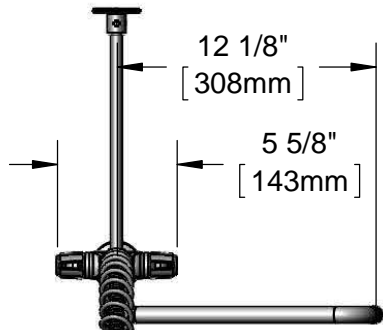


This Space for Architect/Engineer Approval

Job Name _____ Date _____
 Model Specified _____ Quantity _____
 Customer/Wholesaler _____
 Contractor _____
 Architect/Engineer _____



equip 44" Flexible
Stainless Steel Hose
w/ Spring & Spray Valve

Items Not Shown
For Clarity

3/8" NPT x 18" Riser

Finger Hook

5SP-12
12" Swing Nozzle
w/ Laminar
Flow Device

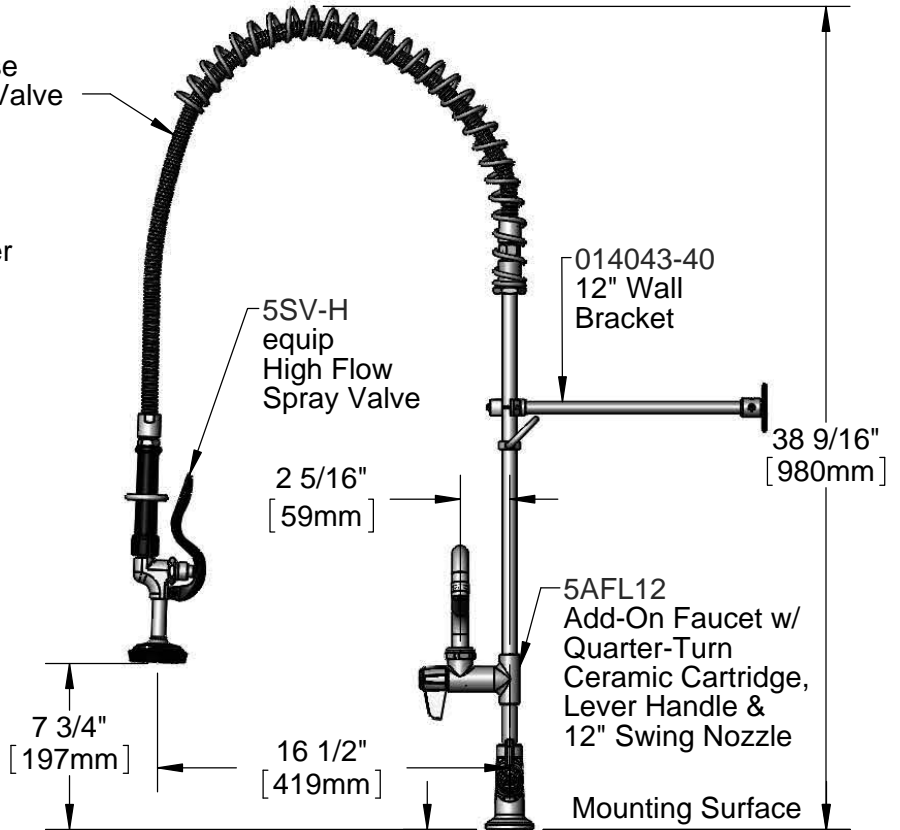
13 5/16"
[338mm]

10 7/8"
[276mm]

Quarter-Turn
Ceramic Cartridges
& equip Lever
Handles w/ Color
Coded Screws

18" Flexible
Stainless Steel
Supply Hoses

Rough-In Requirement:
Ø 1 1/2" [Ø 38mm] Mounting Hole



5SV-H
equip
High Flow
Spray Valve

014043-40
12" Wall
Bracket

38 9/16"
[980mm]

2 5/16"
[59mm]

5AFL12
Add-On Faucet w/
Quarter-Turn
Ceramic Cartridge,
Lever Handle &
12" Swing Nozzle

7 3/4"
[197mm]

16 1/2"
[419mm]

Mounting Surface

1 1/4"
[32mm]
Maximum
Thickness

2 5/16"
[59mm]

Ø 2 1/4" [57mm]
Deck Flange &
Ø 1 1/8" [29mm]
Shank

In-Line Check Valves w/
1/2" BSPP Male Threads

Model Number

5PR-2S12-12WB-H

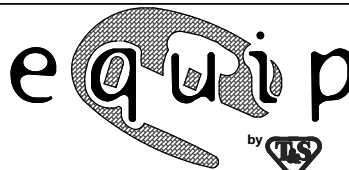
Product Compliance:

ASME A112.18.1 / CSA B125.1
NSF 61 - Section 9
NSF 372 (Low Lead Content)
EPA Act 2005 Non-Compliant (PRSV)
Product Not Designed/Intended for
Commercial Warewashing in North America

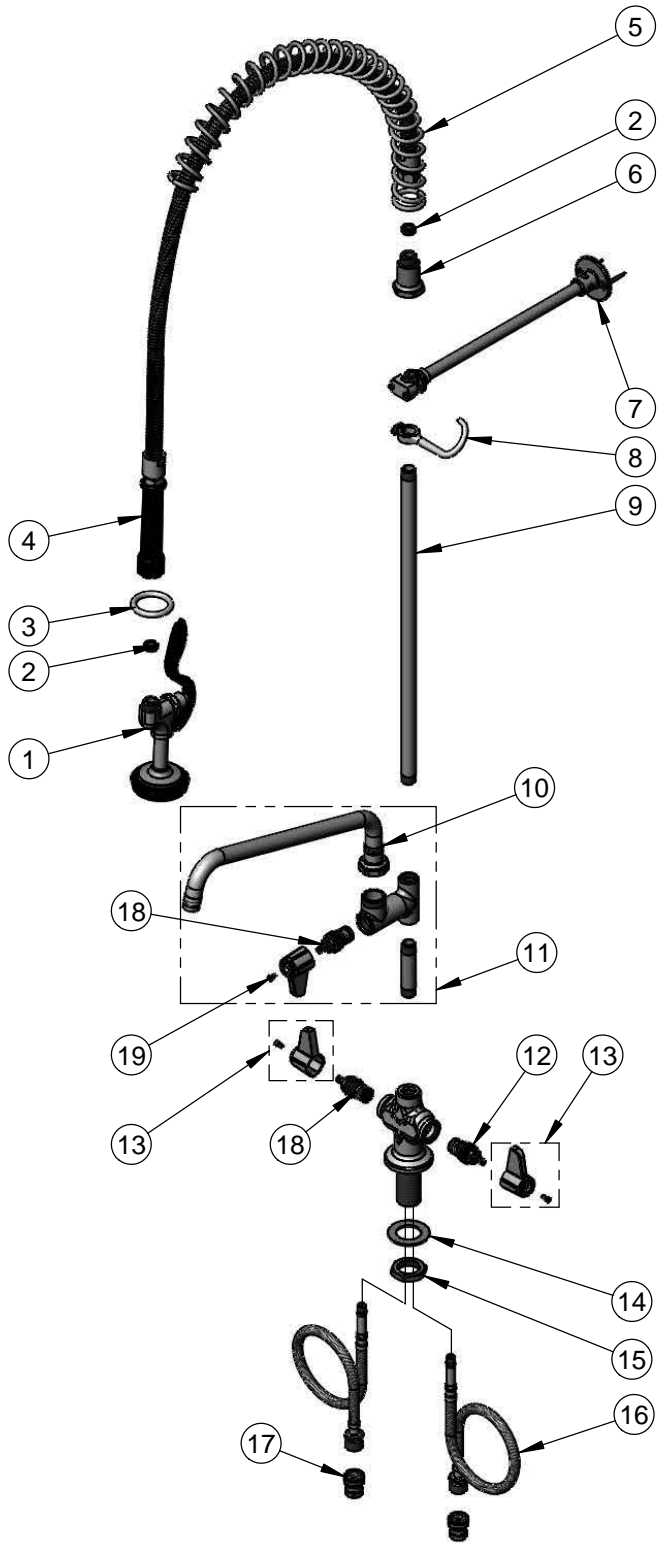
Product Specifications:

International Pre-Rinse Unit: Single Hole Deck Mount Mixing Faucet, Quarter-Turn Ceramic Cartridges, Add-On Faucet w/ 12" Swing Nozzle, 12" Wall Bracket, High Flow Spray Valve, 1/2" BSPP In-Line Check Valves & Flexible Supply Hoses

equip
Foodservice
Accessories



2 Saddleback Cove, P.O. Box 1088
Travelers Rest, South Carolina 29690
Phone: 800.891.4808 Fax: 800.868.0084
equip.tsbrass.com



ITEM NO.	SALES NO.	DESCRIPTION
1	5SV-H	equip High Flow Spray Valve
2	010476-45	#27 Washer
3	000907-45	Spray Valve Hold Down Ring
4	5HSE44	equip 44" Flexible Stainless Steel Hose
5	014068-45	Overhead Spring
6	000821-40	Spring Body
7	014043-40	12" Wall Bracket
8	004R	Finger Hook
9	000369-40	3/8" NPT x 18" Riser
10	5SP-12	equip 12" Swing Nozzle
11	5AFL12	Add-On Faucet w/ 12" Swing Nozzle
12	013788-45	equip Quarter-Turn Ceramic Cartridge, LTC
13	5-HDL-L	equip Lever Handle w/ Color Coded Screws
14	002290-45	Lock Washer
15	000965-45	Lock Nut
16	012436-45	18" Flexible Connector Hose (2)
17	010321-45	1/2" BSPP In-Line Check Valve
18	013787-45	equip Quarter-Turn Ceramic Cartridge, RTC
19	013849-45	Lever Handle Screw

Model Number

5PR-2S12-12WB-H

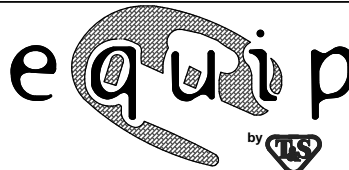
Product Specifications:

International Pre-Rinse Unit: Single Hole Deck Mount Mixing Faucet, Quarter-Turn Ceramic Cartridges, Add-On Faucet w/ 12" Swing Nozzle, 12" Wall Bracket, High Flow Spray Valve, 1/2" BSPP In-Line Check Valves & Flexible Supply Hoses

Product Compliance:

ASME A112.18.1 / CSA B125.1
 NSF 61 - Section 9
 NSF 372 (Low Lead Content)
 EPA Act 2005 Non-Compliant (PRSV)
 Product Not Designed/Intended for
 Commercial Warewashing in North America

equip
 Foodservice
 Accessories



2 Saddleback Cove, P.O. Box 1088
 Travelers Rest, South Carolina 29690
 Phone: 800.891.4808 Fax: 800.868.0084
 equip.tsbrass.com