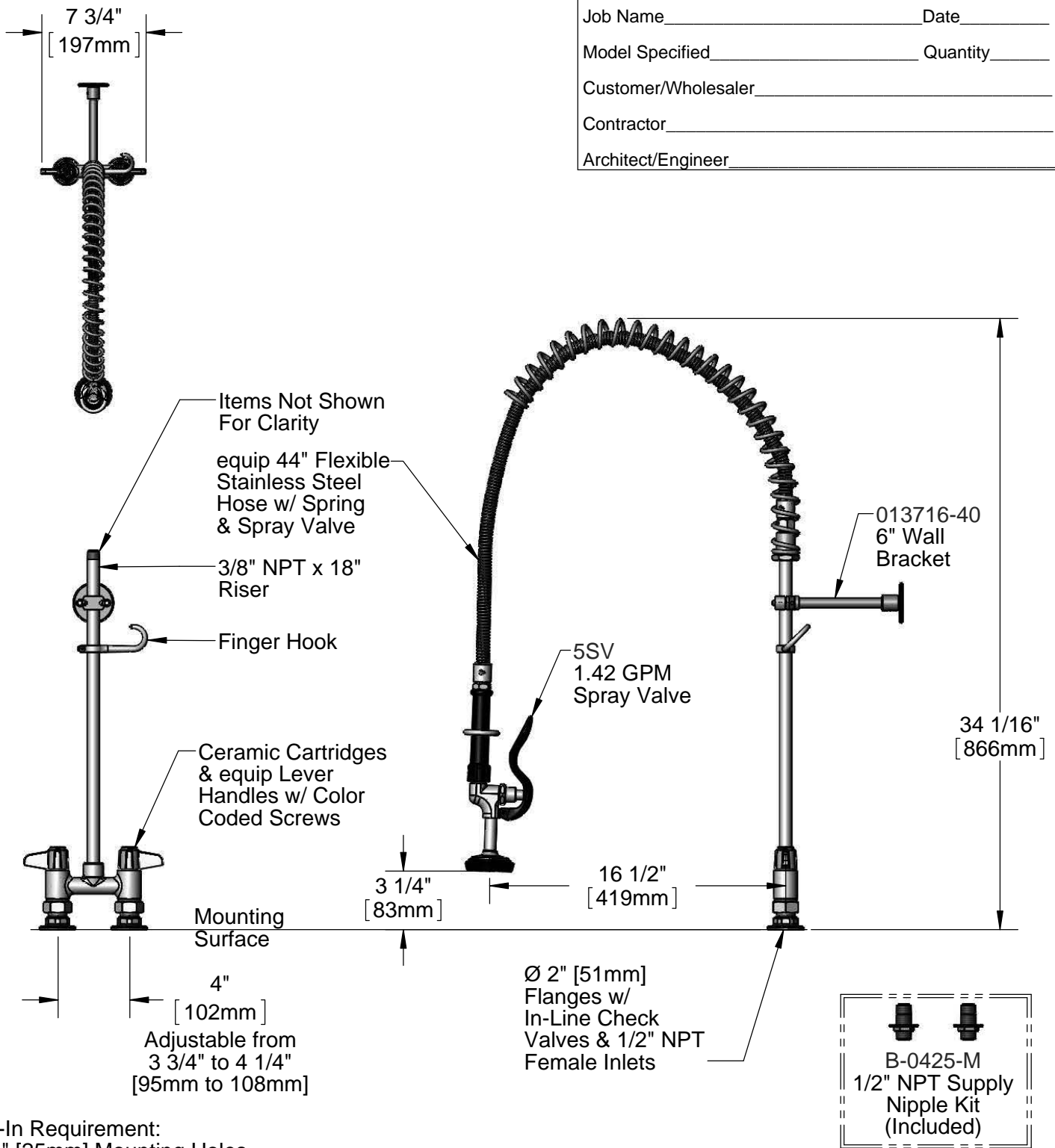


This Space for Architect/Engineer Approval

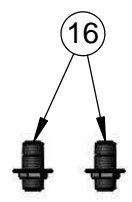
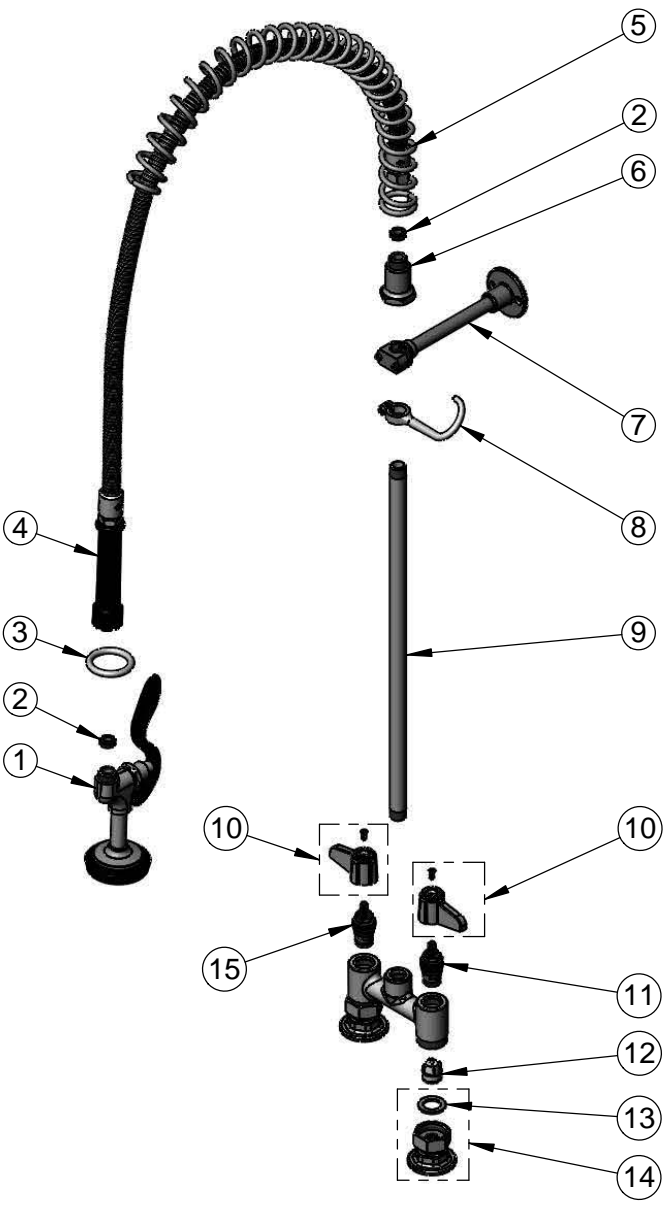
Job Name _____ Date _____
 Model Specified _____ Quantity _____
 Customer/Wholesaler _____
 Contractor _____
 Architect/Engineer _____



Rough-In Requirement:
 (2) Ø 1" [25mm] Mounting Holes

Model Number <h2 style="text-align: center;">5PR-4DLS00</h2>	Product Specifications: <p style="text-align: center;">Pre-Rinse Unit: 4" Deck Mount Mixing Faucet, Ceramic Cartridges, Lever Handles, 44" Flexible Stainless Steel Hose, 1.42 GPM Spray Valve, In-Line Check Valves, 6" Wall Bracket & 1/2" NPT Supply Nipple Kit</p>				
Product Compliance: ASME A112.18.1 / CSA B125.1 NSF 61 - Section 9 NSF 372 (Low Lead Content) EPAAct 2005 (PRSV)	<div style="display: flex; justify-content: space-between; align-items: center;"> <div data-bbox="604 1906 738 1980"> <p>equip Foodservice Accessories</p> </div> <div data-bbox="747 1858 1096 2032" style="text-align: center;"> </div> <div data-bbox="1104 1896 1550 1995"> <p>2 Saddleback Cove, P.O. Box 1088 Travelers Rest, South Carolina 29690 Phone: 800.891.4808 Fax: 800.868.0084 equip.tsbrass.com</p> </div> </div>				
Drawn: KJG	Checked: DMH	Approved: JHB	Date: 07/30/14	Scale: 1:8	Sheet: 1 of 2

ITEM NO.	SALES NO.	DESCRIPTION
1	5SV	equip 1.42 GPM Spray Valve
2	010476-45	#27 Washer
3	000907-45	Spray Valve Hold Down Ring
4	5HSE44	44" Flexible Stainless Steel Hose
5	014068-45	Overhead Spring
6	000821-40	Spring Body
7	013716-40	6" Wall Bracket
8	004R	Finger Hook
9	000369-40	3/8" NPT x 18" Riser
10	5-HDL-L	equip Lever Handle w/ Color Coded Screws
11	013788-45	equip Ceramic Cartridge, LTC
12	013840-45	20mm Check Valve (2)
13	001019-45	Coupling Nut Washer
14	00AA	1/2" NPT Female Eccentric Flange
15	013787-45	Equip Ceramic Cartridge, RTC
16	B-0425-M	1/2" NPT Supply Nipple Kit (2)



Model Number
5PR-4DLS00

Product Compliance:
ASME A112.18.1 / CSA B125.1
NSF 61 - Section 9
NSF 372 (Low Lead Content)
EPA Act 2005 (PRSV)

Product Specifications:
Pre-Rinse Unit: 4" Deck Mount Mixing Faucet, Ceramic Cartridges, Lever Handles, 44" Flexible Stainless Steel Hose, 1.42 GPM Spray Valve, In-Line Check Valves, 6" Wall Bracket & 1/2" NPT Supply Nipple Kit

equip
Foodservice
Accessories



2 Saddleback Cove, P.O. Box 1088
Travelers Rest, South Carolina 29690
Phone: 800.891.4808 Fax: 800.868.0084
equip.tsbrass.com