

This Space for Architect/Engineer Approval

Job Name _____ Date _____

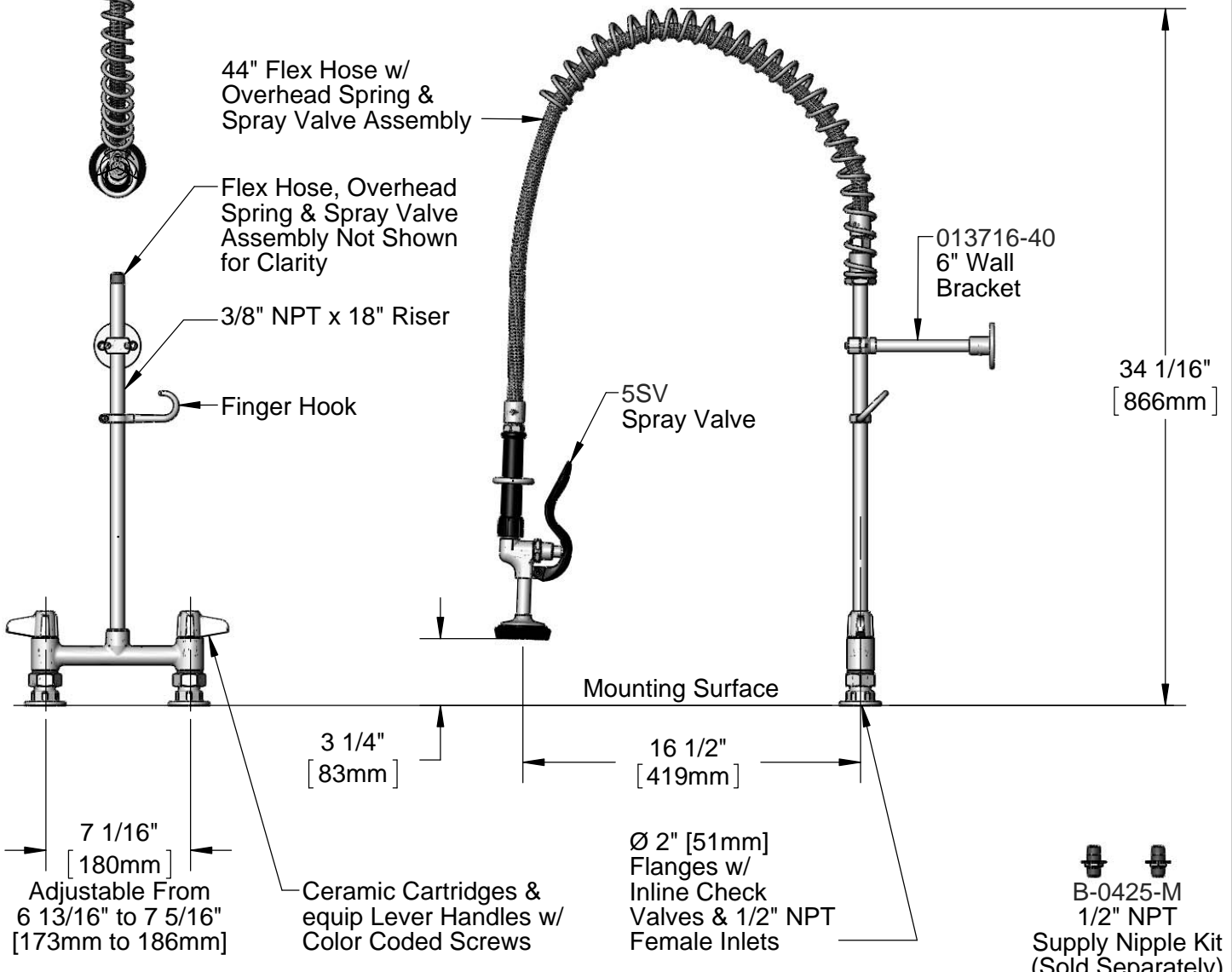
Model Specified _____ Quantity _____

Customer/Wholesaler _____

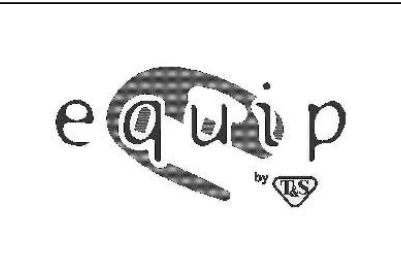
Contractor _____

Architect/Engineer _____

EPAct 2005 Compliant



Model Number 5PR-7D00	Date 08/08/12	Scale 1:8	Drawn DHL	Checked DMH	Approved JHB
---------------------------------	-------------------------	---------------------	---------------------	-----------------------	------------------------

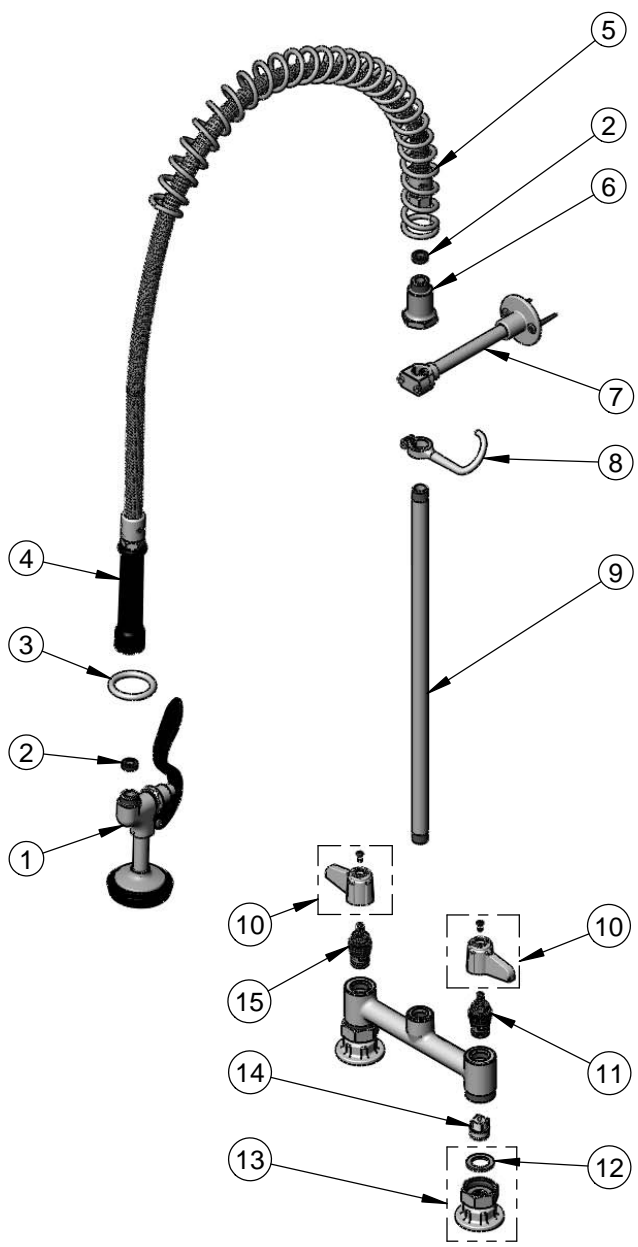


Product Specifications:

Pre-Rinse Unit: 180mm Deck Mount Mixing Faucet w/ 6" Wall Bracket, 5SV Spray Valve, In-Line Check Valves, 44" Flex Hose & 1/2" NPT Female Inlets

equip Foodservice Accessories
 2 Saddleback Cove, P.O. Box 1088
 Travelers Rest, South Carolina 29690
 Phone: 800.891.4808 Fax: 800.868.0084

ITEM NO.	SALES NO.	DESCRIPTION
1	5SV	Spray Valve Assembly
2	010476-45	#27 Washer
3	000907-45	Spray Valve Hold Down Ring
4	5HSE44	44" Flex Hose Assembly (Includes Washer)
5	014068-45	Overhead Spring
6	000821-40	Spring Body
7	013716-40	6" Wall Bracket Assembly
8	004R	Finger Hook
9	000369-40	3/8" NPT x 18" Long Riser
10	5-HDL-L	equip Lever Handle w/ Color Coded Screws
11	013788-45	equip Ceramic Crtg (LTC)
12	001019-45	Coupling Nut Washer
13	00AA	1/2" NPT Female Inlet Flange
14	013840-45	20mm Check Valve (2)
15	013787-45	equip Ceramic Crtg (RTC)



Model Number 5PR-7D00	Date 08/08/12	Scale NTS	Drawn DHL	Checked DMH	Approved JHB
--------------------------	------------------	--------------	--------------	----------------	-----------------



Product Specifications:
Pre-Rinse Unit: 180mm Deck Mount Mixing Faucet w/ 6" Wall Bracket, 5SV Spray Valve, In-Line Check Valves, 44" Flex Hose & 1/2" NPT Female Inlets

equip Foodservice Accessories
 2 Saddleback Cove, P.O. Box 1088
 Travelers Rest, South Carolina 29690
 Phone: 800.891.4808 Fax: 800.868.0084