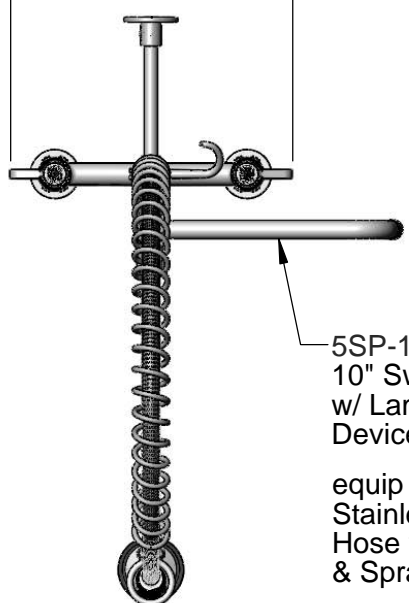


11 3/4"  
[299mm]



5SP-10  
10" Swing Nozzle  
w/ Laminar Flow  
Device

equip 44" Flexible  
Stainless Steel  
Hose w/ Spring  
& Spray Valve

Items Not Shown  
For Clarity

3/8" NPT x 18"  
Riser

Finger Hook

10 1/8"  
[257mm]

12 1/2"  
[317mm]

10 1/16"  
[256mm]

7 1/2"  
[191mm]

16 1/2"  
[419mm]

8"  
[203mm]

Adjustable From  
7 3/4" to 8 1/4"  
[197mm to 210mm]

Ceramic Cartridges  
& equip Lever  
Handles w/ Color  
Coded Screws

Ø 2" [51mm]  
Flanges w/  
In-Line Check  
Valves & 1/2" NPT  
Female Inlets

013716-40  
6" Wall  
Bracket

5SV-H  
High Flow  
Spray Valve

2 5/16"  
[59mm]

5AFL10  
Add-On Faucet w/  
Ceramic Cartridge,  
Lever Handle &  
10" Swing Nozzle

Mounting Surface

38 5/16"  
[973mm]

*This Space for Architect/Engineer Approval*

Job Name \_\_\_\_\_ Date \_\_\_\_\_  
 Model Specified \_\_\_\_\_ Quantity \_\_\_\_\_  
 Customer/Wholesaler \_\_\_\_\_  
 Contractor \_\_\_\_\_  
 Architect/Engineer \_\_\_\_\_

  
 B-0425-M  
 1/2" NPT Supply  
 Nipple Kit  
 (Sold Separately)

Model Number  
**5PR-8D10-H**

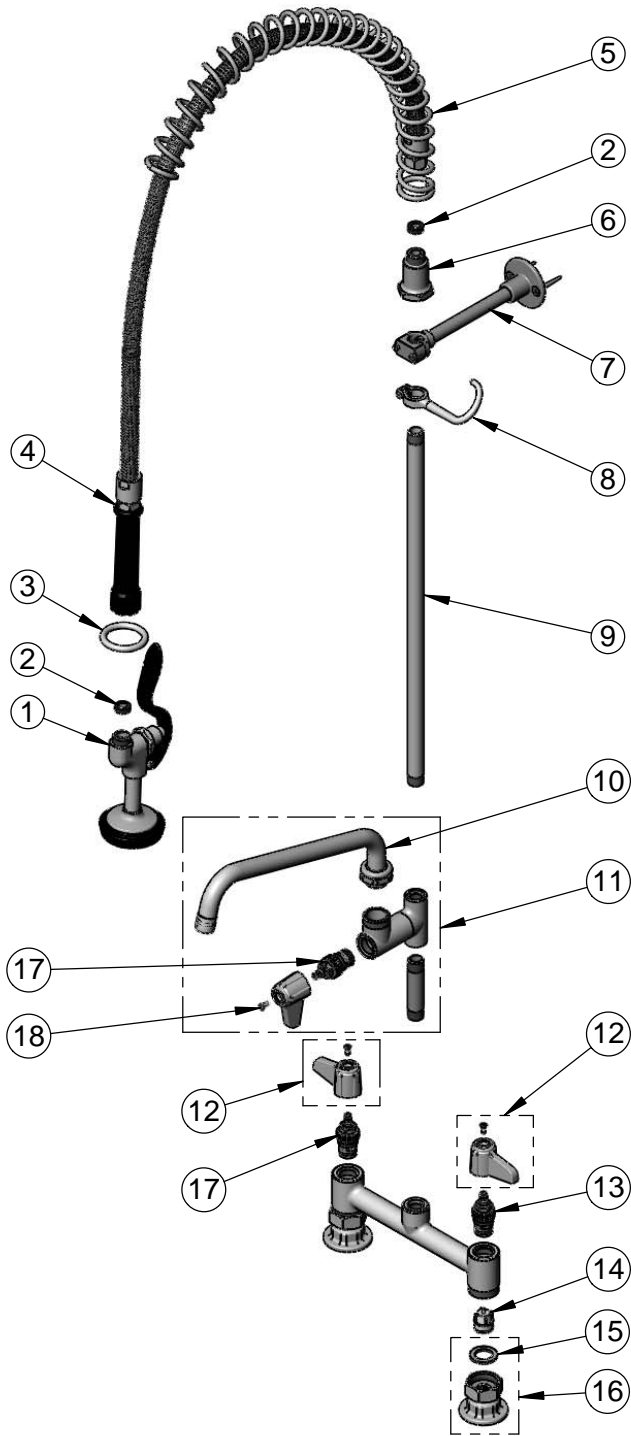
Product Specifications:  
 Pre-Rinse Unit: 8" Deck Mount Mixing Faucet w/ Ceramic Cartridges,  
 Add-On Faucet w/ 10" Swing Nozzle, 5SV-H High Flow Spray Valve,  
 6" Wall Bracket, In-Line Check Valves & 1/2" NPT Female Inlets

Product Compliance:  
 ASME A112.18.1 / CSA B125.1  
 NSF 61 - Section 9  
 NSF 372 (Low Lead Content)  
 EPA Act 2005 Non-Compliant (PRSV)

equip  
Foodservice  
Accessories



2 Saddleback Cove, P.O. Box 1088  
 Travelers Rest, South Carolina 29690  
 Phone: 800.891.4808 Fax: 800.868.0084  
 equip.tsbrass.com



ITEM NO.	SALES NO.	DESCRIPTION
1	5SV-H	equip High Flow Spray Valve
2	010476-45	#27 Washer
3	000907-45	Spray Valve Hold Down Ring
4	5HSE44	44" Flexible Stainless Steel Hose
5	014068-45	Overhead Spring
6	000821-40	Spring Body
7	013716-40	6" Wall Bracket
8	004R	Finger Hook
9	000369-40	3/8" NPT x 18" Riser
10	5SP-10	equip 10" Swing Nozzle
11	5AFL10	Add-On Faucet w/ 10" Swing Nozzle
12	5-HDL-L	equip Lever Handle w/ Color Coded Screws
13	013788-45	equip Ceramic Cartridge, LTC
14	013840-45	20mm Check Valve (2)
15	001019-45	Coupling Nut Washer
16	00AA	1/2" NPT Female Eccentric Flange
17	013787-45	equip Ceramic Cartridge, RTC
18	013849-45	Screw, 4mm Metric (10)

Model Number

**5PR-8D10-H**

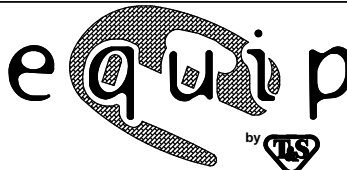
Product Specifications:

Pre-Rinse Unit: 8" Deck Mount Mixing Faucet w/ Ceramic Cartridges, Add-On Faucet w/ 10" Swing Nozzle, 5SV-H High Flow Spray Valve, 6" Wall Bracket, In-Line Check Valves & 1/2" NPT Female Inlets

Product Compliance:

ASME A112.18.1 / CSA B125.1  
NSF 61 - Section 9  
NSF 372 (Low Lead Content)  
EPA Act 2005 Non-Compliant (PRSV)

equip  
Foodservice  
Accessories



2 Saddleback Cove, P.O. Box 1088  
Travelers Rest, South Carolina 29690  
Phone: 800.891.4808 Fax: 800.868.0084  
equip.tsbrass.com