

This Space for Architect/Engineer Approval
 Job Name _____ Date _____
 Model Specified _____ Quantity _____
 Customer/Wholesaler _____
 Contractor _____
 Architect/Engineer _____

44" Flexible Stainless Steel Hose w/ Overhead Spring & Spray Valve Assembly

Items Not Shown for Clarity

Finger Hook

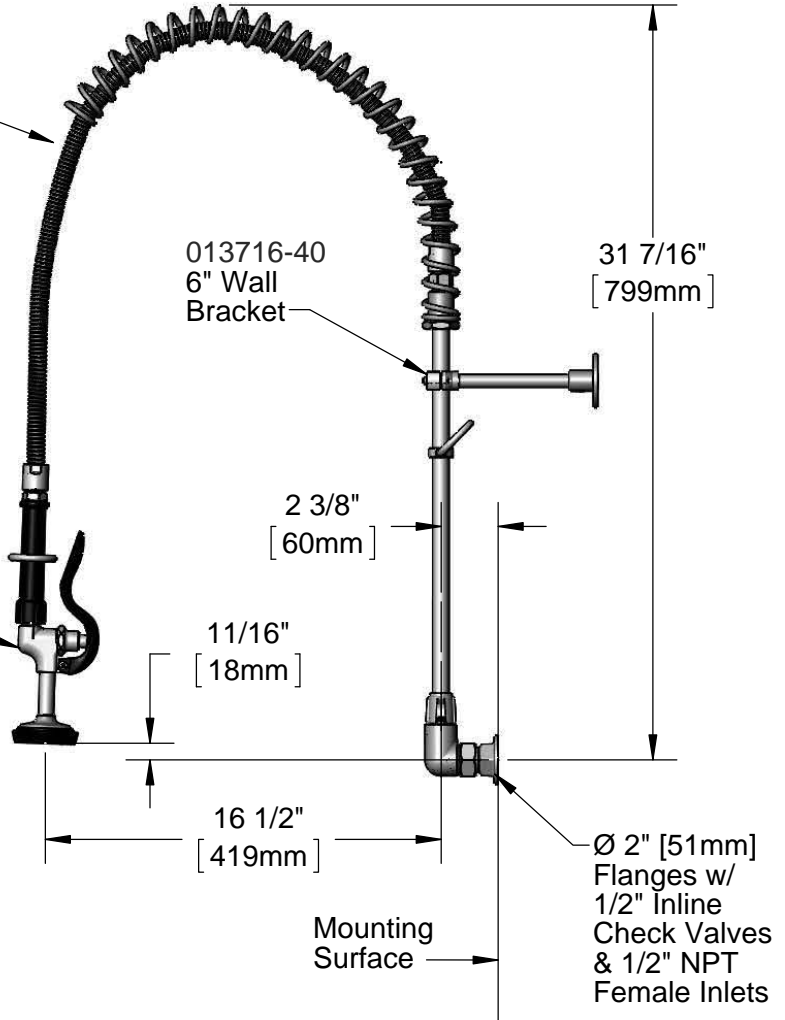
3/8" NPT x 18" Riser

5SV-H High Flow Spray Valve

Quarter-Turn Ceramic Cartridges & equip Lever Handles w/ Color Coded Screws

8" [204mm]

Adjustable from 7 3/4" to 8 1/4" [95mm to 108mm]



Model Number
5PR-8W00-H

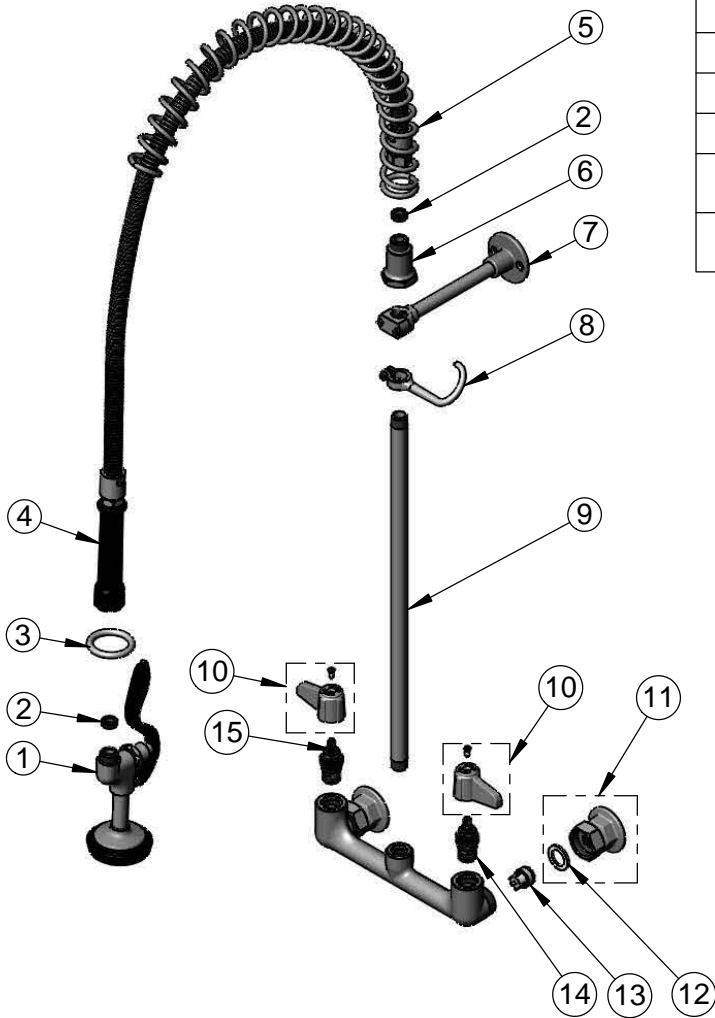
Product Specifications:
International Pre-Rinse Unit: 8" Wall Mount Mixing Faucet, Quarter-Turn Ceramic Cartridges, 6" Wall Bracket, High Flow Spray Valve, 1/2" In-Line Check Valves & 1/2" NPT Flange Inlets

Product Compliance:
 ASME A112.18.1 / CSA B125.1
 NSF 61 - Section 9
 NSF 372 (Low Lead Content)
 EPA Act 2005 Non-Compliant (PRSV)
 Product Not Designed/Intended for Commercial Warewashing in North America

equip Foodservice Accessories

2 Saddleback Cove, P.O. Box 1088
 Travelers Rest, South Carolina 29690
 Phone: 800.891.4808 Fax: 800.868.0084
 equip.tsbrass.com

ITEM NO.	SALES NO.	DESCRIPTION
1	5SV-H	High Flow Spray Valve
2	010476-45	#27 Washer
3	000907-45	Spray Valve Hold Down Ring
4	5HSE44	44" Flexible Stainless Steel Hose (Includes Washer)
5	014068-45	Overhead Spring
6	000821-40	Spring Body
7	013716-40	6" Wall Bracket
8	004R	Finger Hook
9	000369-40	3/8" NPT x 18" Riser
10	5-HDL-L	Lever Handle (Includes Blue & Red Screws)
11	00AA	1/2" NPT Female Eccentric Flange
12	001019-45	Coupling Nut Washer
13	013840-45	20mm Check Valve
14	013788-45	equip Quarter-Turn Ceramic Cartridge, LTC
15	013787-45	equip Quarter-Turn Ceramic Cartridge, RTC



Model Number

5PR-8W00-H

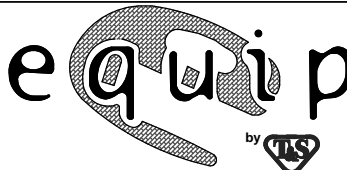
Product Specifications:

International Pre-Rinse Unit: 8" Wall Mount Mixing Faucet, Quarter-Turn Ceramic Cartridges, 6" Wall Bracket, High Flow Spray Valve, 1/2" In-Line Check Valves & 1/2" NPT Flange Inlets

Product Compliance:

ASME A112.18.1 / CSA B125.1
 NSF 61 - Section 9
 NSF 372 (Low Lead Content)
 EPA Act 2005 Non-Compliant (PRSV)
 Product Not Designed/Intended for
 Commercial Warewashing in North America

equip
 Foodservice
 Accessories



2 Saddleback Cove, P.O. Box 1088
 Travelers Rest, South Carolina 29690
 Phone: 800.891.4808 Fax: 800.868.0084
 equip.tsbrass.com