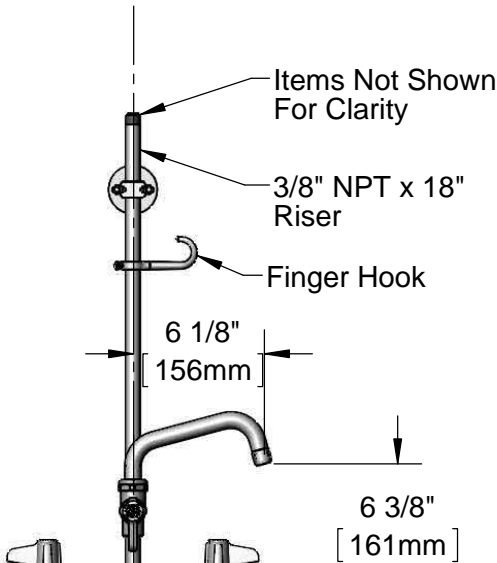


5SP-06  
6" Swing Nozzle  
w/ Laminar  
Flow Device

equip 44"  
Flexible  
Stainless Steel  
Hose w/ Spring  
& Spray Valve



Items Not Shown  
For Clarity

3/8" NPT x 18"  
Riser

Finger Hook

6 1/8"  
[156mm]

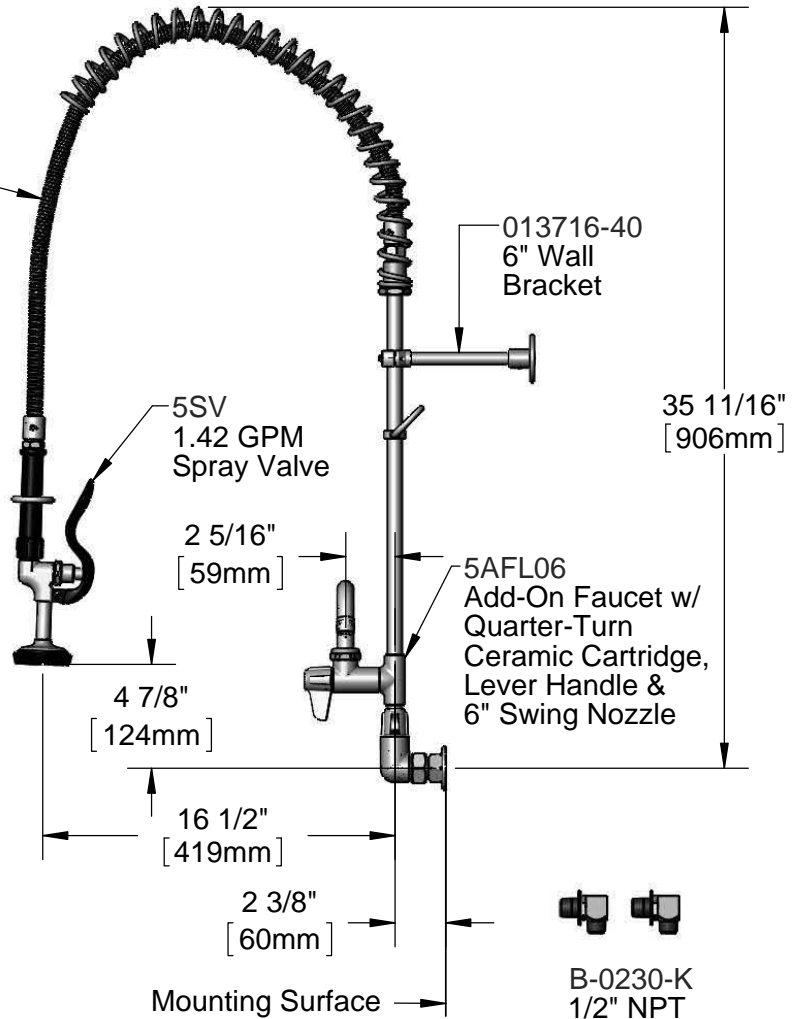
6 3/8"  
[161mm]

8"  
[203mm]

Adjustable From  
7 3/4" to 8 1/4"  
[197mm to 210mm]

Quarter-Turn  
Ceramic Cartridges  
& equip Lever  
Handles w/ Color  
Coded Screws

Ø 2" [51mm]  
Flanges w/  
In-Line Check  
Valves & 1/2" NPT  
Female Inlets



013716-40  
6" Wall  
Bracket

35 11/16"  
[906mm]

5SV  
1.42 GPM  
Spray Valve

2 5/16"  
[59mm]

5AFL06  
Add-On Faucet w/  
Quarter-Turn  
Ceramic Cartridge,  
Lever Handle &  
6" Swing Nozzle

4 7/8"  
[124mm]

16 1/2"  
[419mm]

2 3/8"  
[60mm]

Mounting Surface



B-0230-K  
1/2" NPT  
Short EI Installation Kit  
(Sold Separately)

*This Space for Architect/Engineer Approval*

Job Name \_\_\_\_\_ Date \_\_\_\_\_

Model Specified \_\_\_\_\_ Quantity \_\_\_\_\_

Customer/Wholesaler \_\_\_\_\_

Contractor \_\_\_\_\_

Architect/Engineer \_\_\_\_\_

Model Number

**5PR-8W06**

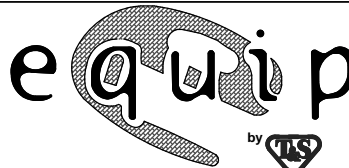
Product Specifications:

Pre-Rinse Unit: 8" Wall Mount Mixing Faucet w/ Quarter-Turn Ceramic Cartridges, Add-On Faucet w/ 6" Swing Nozzle, 1.42 GPM Spray Valve, 6" Wall Bracket, In-Line Check Valves & 1/2" NPT Female Inlets

Product Compliance:

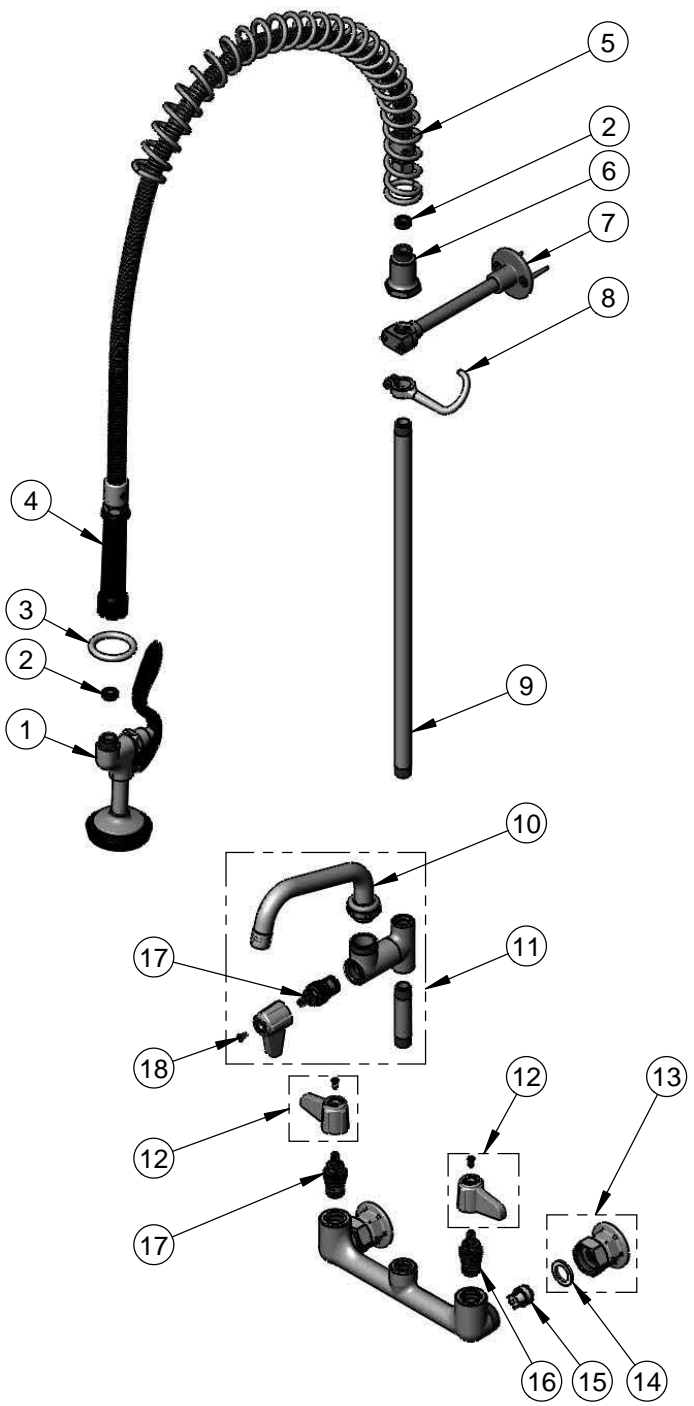
ASME A112.18.1 / CSA B125.1  
NSF 61 - Section 9  
NSF 372 (Low Lead Content)  
EPA Act 2005 (PRSV)

equip  
Foodservice  
Accessories



2 Saddleback Cove, P.O. Box 1088  
Travelers Rest, South Carolina 29690  
Phone: 800.891.4808 Fax: 800.868.0084  
equip.tsbrass.com

ITEM NO.	SALES NO.	DESCRIPTION
1	5SV	equip 1.42 GPM Spray Valve
2	010476-45	#27 Washer
3	000907-45	Spray Valve Hold Down Ring
4	5HSE44	44" Flexible Stainless Steel Hose
5	014068-45	Overhead Spring
6	000821-40	Spring Body
7	013716-40	6" Wall Bracket
8	004R	Finger Hook
9	000369-40	3/8" NPT x 18" Riser
10	5SP-06	equip 6" Swing Nozzle
11	5AFL06	Add-On Faucet w/ 6" Swing Nozzle
12	5-HDL-L	equip Lever Handle w/ Color Coded Screws
13	00AA	1/2" NPT Female Eccentric Flange
14	001019-45	Coupling Nut Washer
15	013840-45	20mm Check Valve (2)
16	013788-45	equip Quarter-Turn Ceramic Cartridge, LTC
17	013787-45	Equip Ceramic Cartridge, RTC
18	013849-45	Handle Screw (10)



Model Number  
**5PR-8W06**

Product Specifications:  
Pre-Rinse Unit: 8" Wall Mount Mixing Faucet w/ Quarter-Turn Ceramic Cartridges, Add-On Faucet w/ 6" Swing Nozzle, 1.42 GPM Spray Valve, 6" Wall Bracket, In-Line Check Valves & 1/2" NPT Female Inlets

Product Compliance:  
ASME A112.18.1 / CSA B125.1  
NSF 61 - Section 9  
NSF 372 (Low Lead Content)  
EPAct 2005 (PRSV)

equip  
Foodservice  
Accessories



2 Saddleback Cove, P.O. Box 1088  
Travelers Rest, South Carolina 29690  
Phone: 800.891.4808 Fax: 800.868.0084  
equip.tsbrass.com