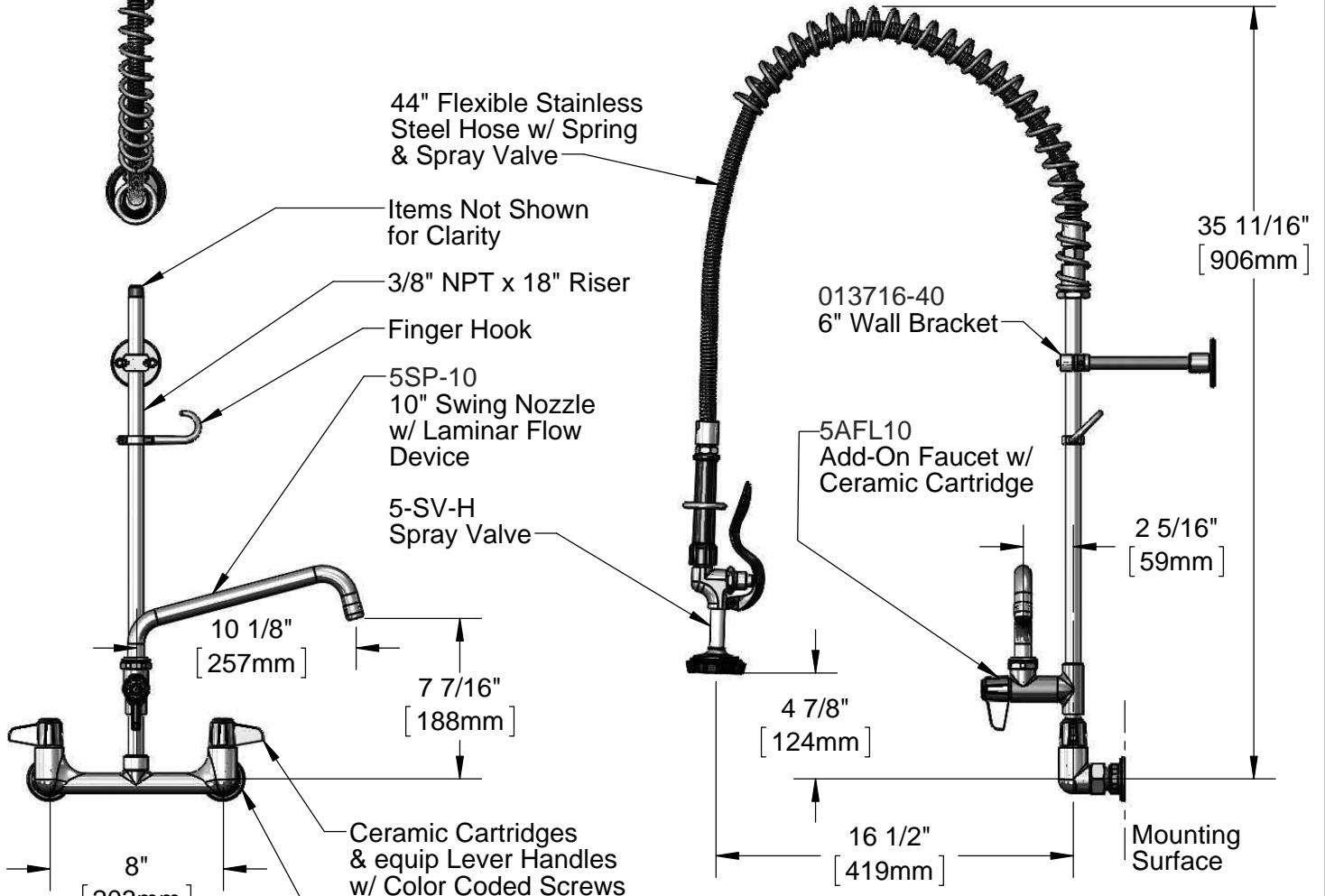
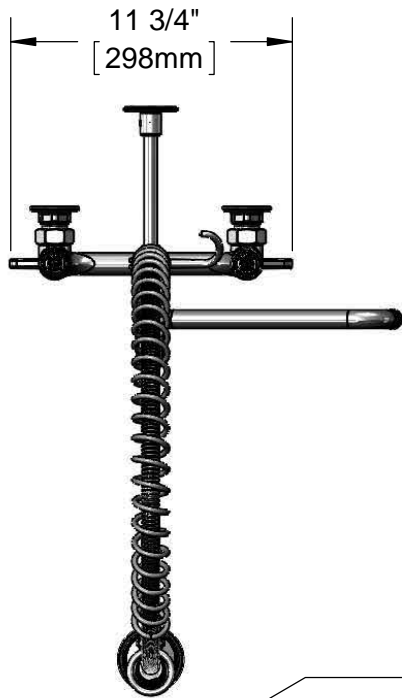


This Space for Architect/Engineer Approval

Job Name _____ Date _____
 Model Specified _____ Quantity _____
 Customer/Wholesaler _____
 Contractor _____
 Architect/Engineer _____



Adjustable from 7 3/4" to 8 1/4" [197mm to 210mm]
 8" [203mm]
 Ceramic Cartridges & equip Lever Handles w/ Color Coded Screws
 5SV-H Spray Valve
 5SP-10 10" Swing Nozzle w/ Laminar Flow Device
 Finger Hook
 3/8" NPT x 18" Riser
 Items Not Shown for Clarity
 44" Flexible Stainless Steel Hose w/ Spring & Spray Valve
 013716-40 6" Wall Bracket
 5AFL10 Add-On Faucet w/ Ceramic Cartridge
 2 5/16" [59mm]
 4 7/8" [124mm]
 16 1/2" [419mm]
 Mounting Surface
 B-0230-K Inlet Kit (Sold Separately)

Model Number
5PR-8W10-H

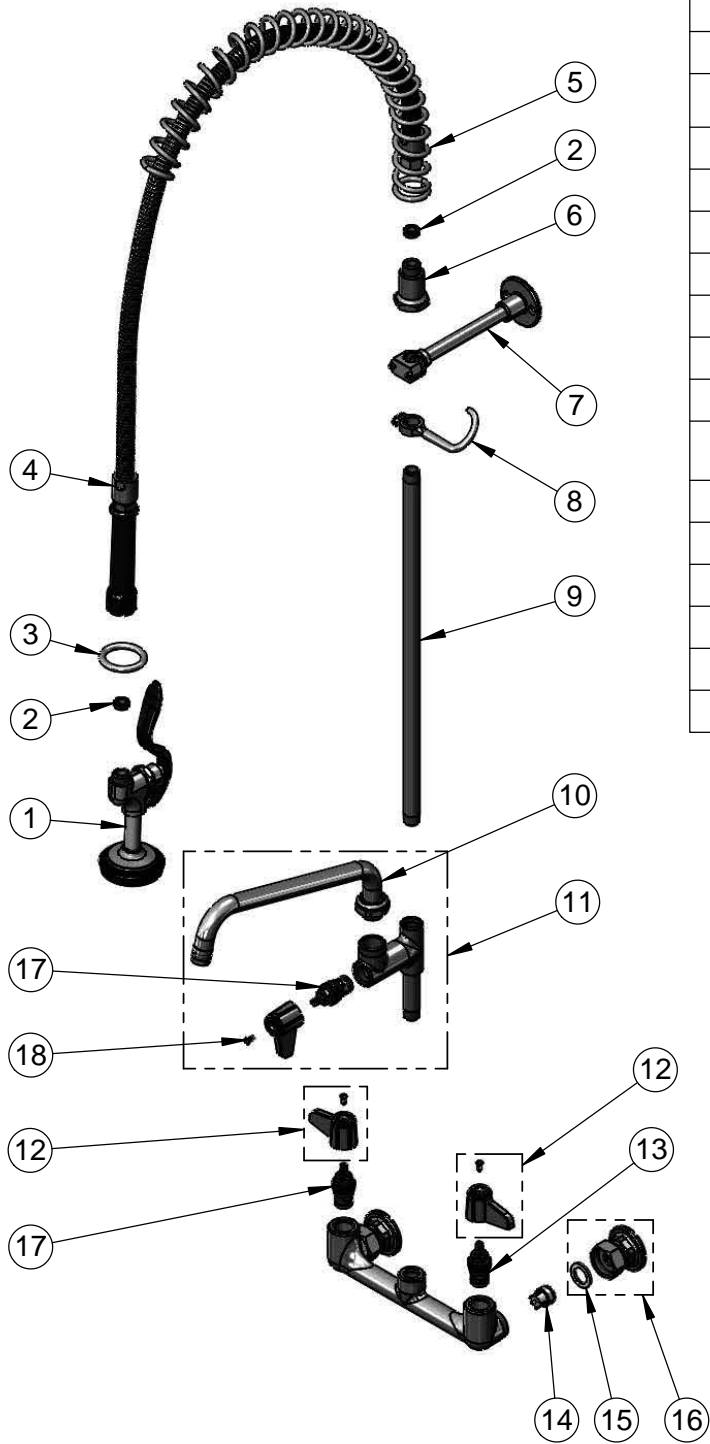
Product Specifications:
 8" Wall Mount Pre-Rinse Unit w/ Ceramic Cartridges, Add-On Faucet w/ 10" Swing Nozzle, 5SV-H Spray Valve, In-Line Check Valves, 6" Wall Bracket & 1/2" NPT Female Inlets

Product Compliance:
 ASME A112.18.1 / CSA B125.1
 NSF 61 - Section 9
 NSF 372 (Low Lead Content)
 EPAAct 2005 Non-Compliant (PRSV)

equip Foodservice Accessories



2 Saddleback Cove, P.O. Box 1088
 Travelers Rest, South Carolina 29690
 Phone: 800.891.4808 Fax: 800.868.0084
 equip.tsbrass.com



ITEM NO.	SALES NO.	DESCRIPTION
1	5SV-H	High Flow Spray Valve
2	010476-45	#27 Washer
3	000907-45	Spray Valve Hold Down Ring
4	5HSE44	44" Flexible Stainless Steel Hose w/ Washer
5	014068-45	Overhead Spring
6	000821-40	Spring Body
7	013716-40	6" Wall Bracket
8	004R	Finger Hook
9	000369-40	3/8" NPT x 18" Riser
10	5SP-10	10" Swing Nozzle
11	5AFL10	Add-On Faucet w/ 10" Swing Nozzle
12	5-HDL-L	equip Lever Handle w/ Color Coded Screws
13	013788-45	equip Ceramic Cartridge, LTC
14	013840-45	20mm Check Valve
15	001019-45	Coupling Nut Washer
16	00AA	1/2" NPT Female Eccentric Flange
17	013787-45	equip Ceramic Cartridge, RTC
18	013849-45	Handle Screw

Model Number

5PR-8W10-H

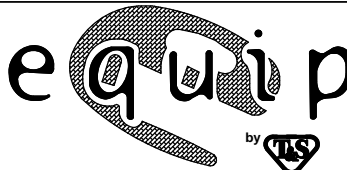
Product Specifications:

8" Wall Mount Pre-Rinse Unit w/ Ceramic Cartridges, Add-On Faucet w/ 10" Swing Nozzle, 5SV-H Spray Valve, In-Line Check Valves, 6" Wall Bracket & 1/2" NPT Female Inlets

Product Compliance:

ASME A112.18.1 / CSA B125.1
 NSF 61 - Section 9
 NSF 372 (Low Lead Content)
 EPA Act 2005 Non-Compliant (PRSV)

equip
 Foodservice
 Accessories



2 Saddleback Cove, P.O. Box 1088
 Travelers Rest, South Carolina 29690
 Phone: 800.891.4808 Fax: 800.868.0084
 equip.tsbrass.com