

This Space for Architect/Engineer Approval

Job Name _____ Date _____

Model Specified _____ Quantity _____

Customer/Wholesaler _____

Contractor _____

Architect/Engineer _____

Rough-In Requirement:
 (2) Ø 1" [25mm] Mounting Holes

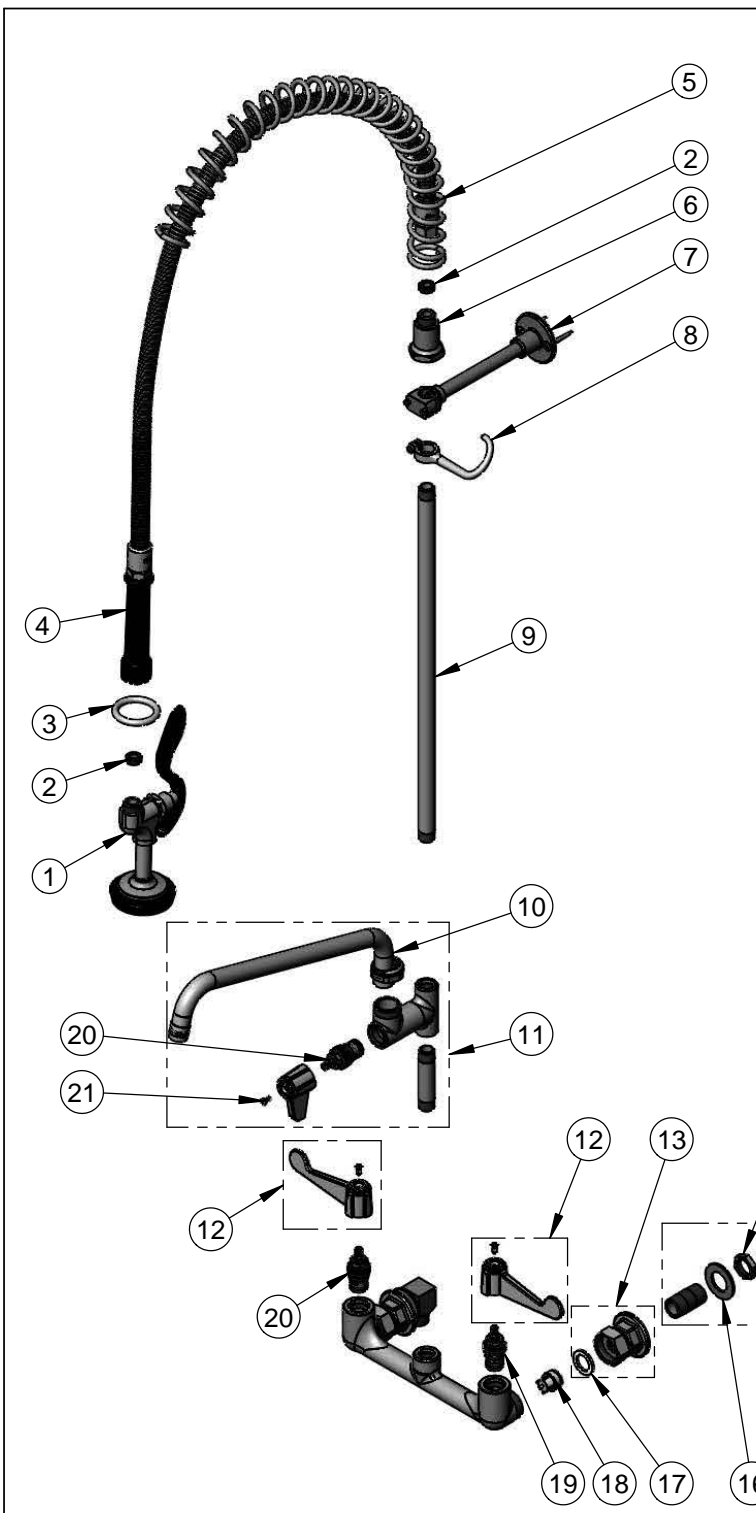
Model Number
5PR-8WWS12

Product Specifications:
 Pre-Rinse Unit: 8" Wall Mount Mixing Faucet w/ Ceramic Cartridges, Add-On Faucet w/ 12" Swing Nozzle, 1.42 GPM Spray Valve, 6" Wall Bracket, In-Line Check Valves & B-0230-K Supply Kit w/ 1/2" NPT Male Inlets

Product Compliance:
 ASME A112.18.1 / CSA B125.1
 NSF 61 - Section 9
 NSF 372 (Low Lead Content)
 EPA Act 2005 (PRSV)

equip
 Foodservice
 Accessories

2 Saddleback Cove, P.O. Box 1088
 Travelers Rest, South Carolina 29690
 Phone: 800.891.4808 Fax: 800.868.0084
 equip.tsbrass.com



ITEM NO.	SALES NO.	DESCRIPTION
1	5SV	equip Spray Valve
2	010476-45	#27 Washer
3	000907-45	Spray Valve Hold Down Ring
4	5HSE44	44" Flexible Stainless Steel Hose (Includes Washer)
5	014068-45	Overhead Spring
6	000821-40	Spring Body
7	013716-40	6" Wall Bracket
8	004R	Finger Hook
9	000369-40	3/8" NPT x 18" Long Riser
10	5SP-12	equip 12" Swing Nozzle
11	5AFL12	Add-On Faucet w/ 12" Swing Nozzle
12	5-HDL-W	equip 4" Wrist Action Handle w/ Color Coded Screws
13	00AA	1/2" NPT Female Eccentric Inlet Flange
14	002954-45	Shank Lock Nut
15	B-0230-K	Supply Kit w/ 1/2" NPT Male Inlet
16	000999-45	Brass Lock Washer
17	001019-45	Coupling Nut Washer
18	013840-45	20mm Check Valve (2)
19	013788-45	equip Quarter-Turn Ceramic Cartridge, LTC
20	013787-45	equip Quarter-Turn Ceramic Cartridge, RTC
21	013849-45	Screw, 4mm Metric (10)

Model Number
5PR-8WWS12

Product Compliance:
ASME A112.18.1 / CSA B125.1
NSF 61 - Section 9
NSF 372 (Low Lead Content)
EPA Act 2005 (PRSV)

Product Specifications:
Pre-Rinse Unit: 8" Wall Mount Mixing Faucet w/ Ceramic Cartridges, Add-On Faucet w/ 12" Swing Nozzle, 1.42 GPM Spray Valve, 6" Wall Bracket, In-Line Check Valves & B-0230-K Supply Kit w/ 1/2" NPT Male Inlets

equip
Foodservice
Accessories



2 Saddleback Cove, P.O. Box 1088
Travelers Rest, South Carolina 29690
Phone: 800.891.4808 Fax: 800.868.0084
equip.tsbrass.com