



T&S BRASS AND BRONZE WORKS, INC.
 2 Saddleback Cove / P.O. Box 1088
 Travelers Rest, SC 29690

Model No.
B-0044-H2A

Item No.

Travelers Rest, SC: 800-476-4103 • Simi Valley, CA: 800-423-0150 • Fax: 864-834-3518 • www.tsbrass.com

This Space for Architect/Engineer Approval

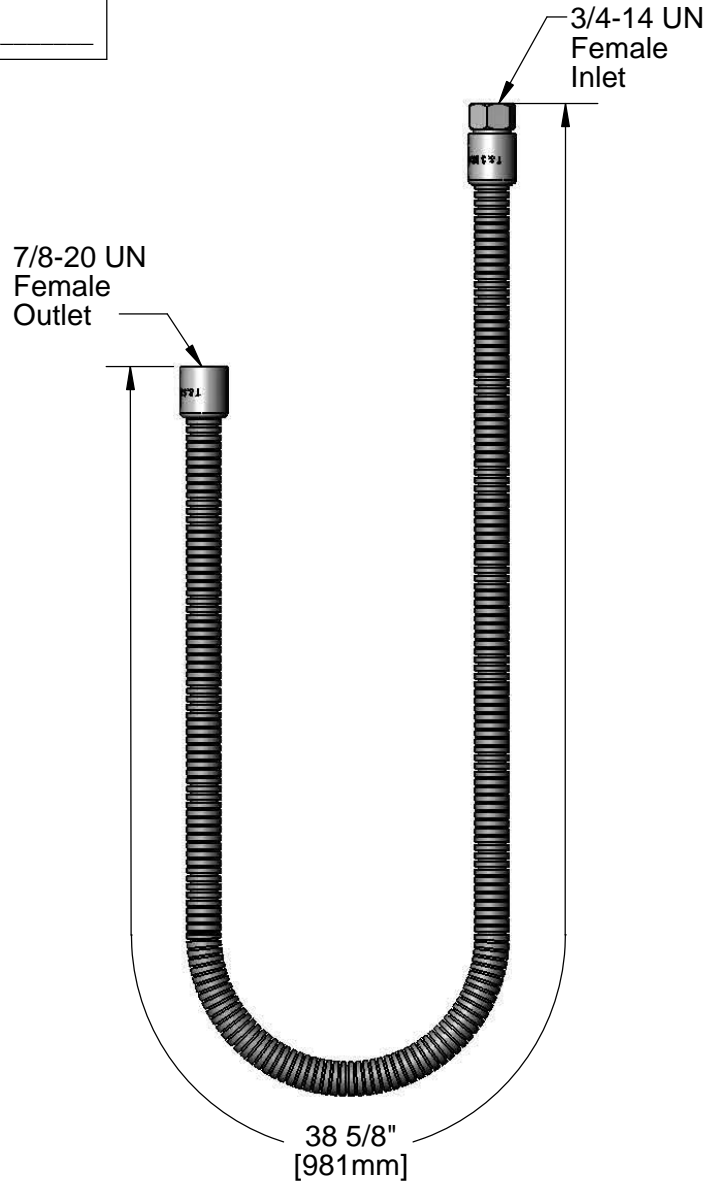
Job Name _____ Date _____

Model Specified _____ Quantity _____

Customer/Wholesaler _____

Contractor _____

Architect/Engineer _____




 010476-45
 Washer
 (Included)


 001014-45
 Washer
 (Included)

Product Specifications:
 44" Flexible Stainless Steel Hose w/ Inner Polyurethane Hose,
 Less Handle

Drawn
DHL

Checked
DMH

Approved
JHB

Scale:
1:4

Date:
05/06/13



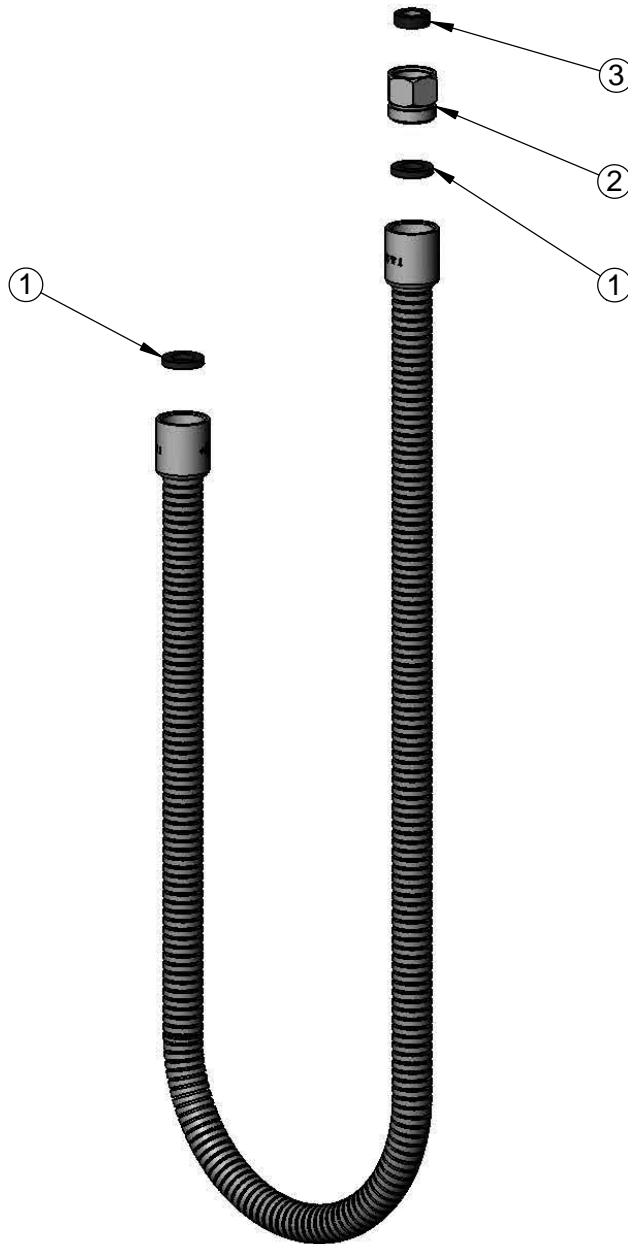
T&S BRASS AND BRONZE WORKS, INC.
 2 Saddleback Cove / P.O. Box 1088
 Travelers Rest, SC 29690

Model No.
B-0044-H2A

Item No.

Travelers Rest, SC: 800-476-4103 • Simi Valley, CA: 800-423-0150 • Fax: 864-834-3518 • www.tsbrass.com

ITEM NO.	SALES NO.	DESCRIPTION
1	001014-45	Washer, B-0100 Hose Barrel
2	000729-40	Nut
3	010476-45	#27 Washer



Product Specifications:
 44" Flexible Stainless Steel Hose w/ Inner Polyurethane Hose,
 Less Handle

Drawn DHL	Checked DMH	Approved JHB
---------------------	-----------------------	------------------------

Scale: NTS	Date: 05/06/13
----------------------	--------------------------