



T&S BRASS AND BRONZE WORKS, INC.
 2 Saddleback Cove / P.O. Box 1088
 Travelers Rest, SC 29690

Model No.
B-0100-08C-172A

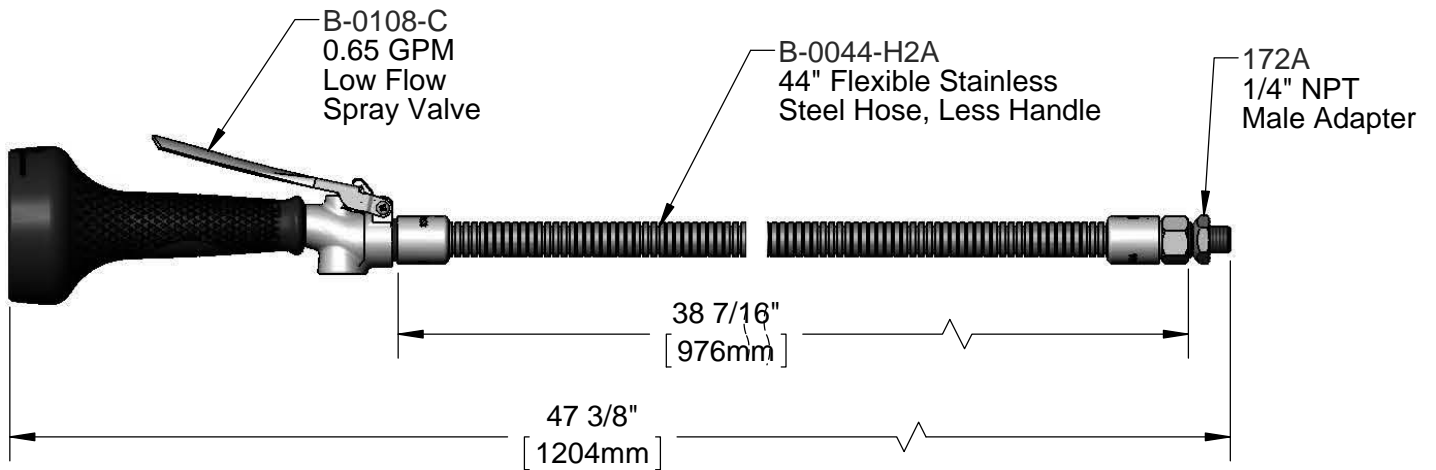
Item No.

Travelers Rest, SC: 800-476-4103 • Simi Valley, CA: 800-423-0150 • Fax: 864-834-3518 • www.tsbrass.com

This Space for Architect/Engineer Approval

Job Name _____ Date _____
 Model Specified _____ Quantity _____
 Customer/Wholesaler _____
 Contractor _____
 Architect/Engineer _____

EPAct 2005 COMPLIANT



Product Specifications:
 Pre-Rinse Unit:
 B-0108-C Spray Valve w/ 44" Flexible Stainless Steel Hose,
 Less Handle & 1/4" NPT Male Adapter

Drawn KJG	Checked DMH	Approved JHB
Scale: 1:4		Date: 12/19/13



T&S BRASS AND BRONZE WORKS, INC.

2 Saddleback Cove / P.O. Box 1088
Travelers Rest, SC 29690

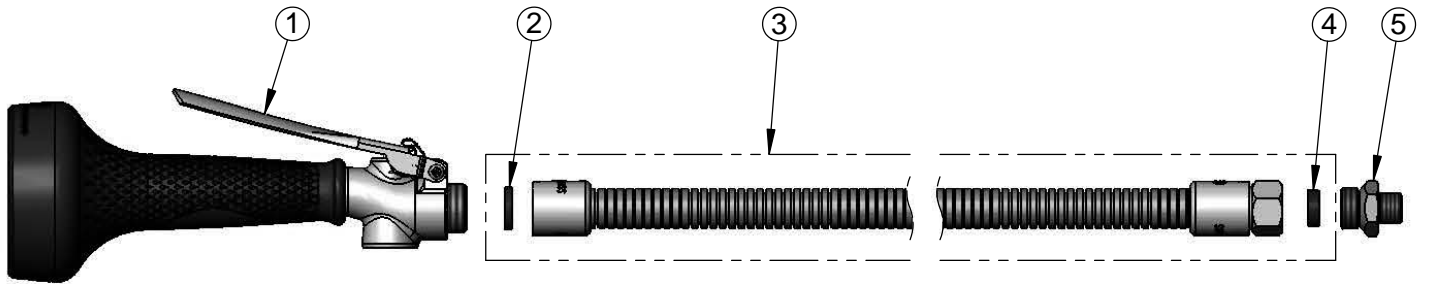
Model No.

B-0100-08C-172A

Item No.

Travelers Rest, SC: 800-476-4103 • Simi Valley, CA: 800-423-0150 • Fax: 864-834-3518 • www.tsbrass.com

ITEM NO.	SALES NO.	DESCRIPTION
1	B-0108-C	0.65 GPM Spray Valve w/ Ergo-Grip
2	001014-45	Washer, B-0100 Hose Barrel
3	B-0044-H2A	44" Flexible Stainless Steel Hose, Less Handle
4	010476-45	#27 Washer
5	172A	Adapter, 1/4" NPT Male



Product Specifications:
Pre-Rinse Unit:
B-0108-C Spray Valve w/ 44" Flexible Stainless Steel Hose,
Less Handle & 1/4" NPT Male Adapter

Drawn

KJG

Checked

DMH

Approved

JHB

Scale:

NTS

Date:

12/19/13