



T&S BRASS AND BRONZE WORKS, INC.

2 Saddleback Cove / P.O. Box 1088
Travelers Rest, SC 29690

Model No.

B-0100-60H

Item No.

Travelers Rest, SC: 800-476-4103 • Simi Valley, CA: 800-423-0150 • Fax: 864-834-3518 • www.tsbrass.com

This Space for Architect/Engineer Approval

Job Name _____ Date _____

Model Specified _____ Quantity _____

Customer/Wholesaler _____

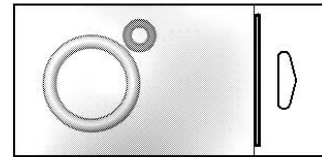
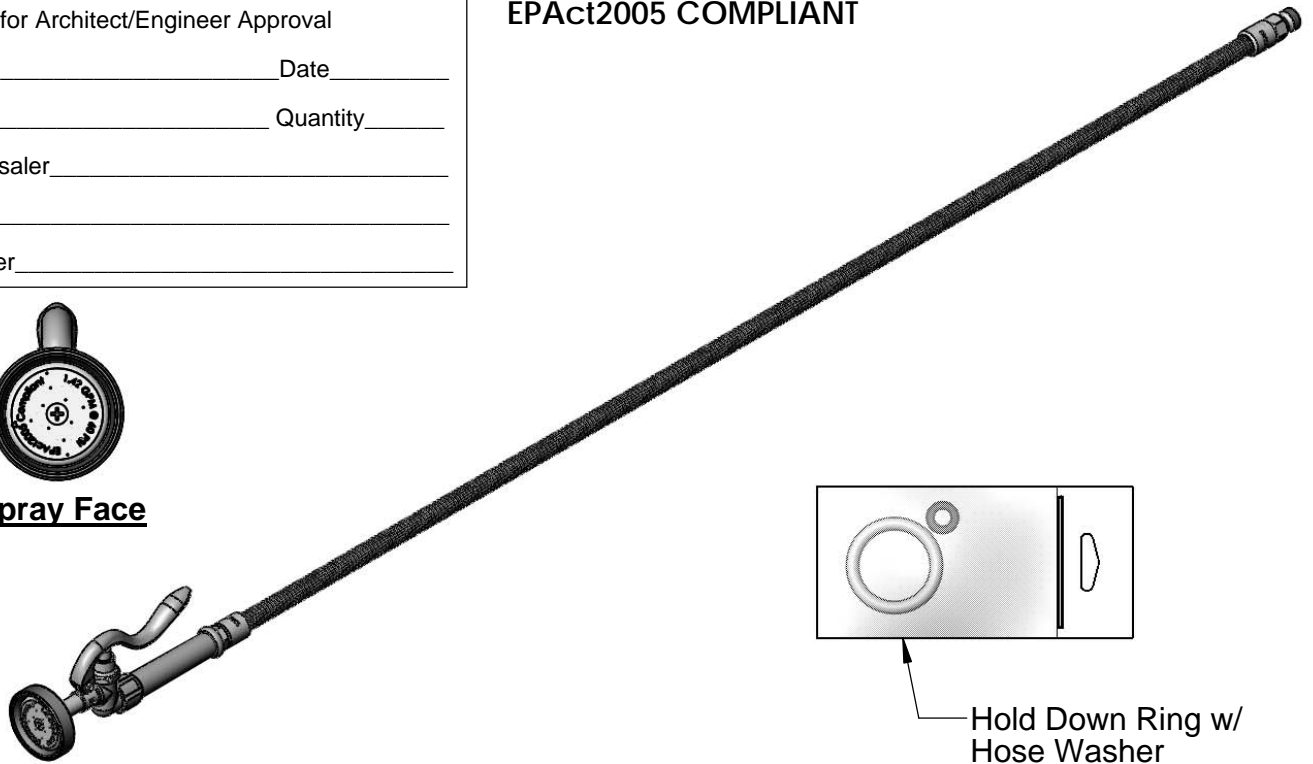
Contractor _____

Architect/Engineer _____

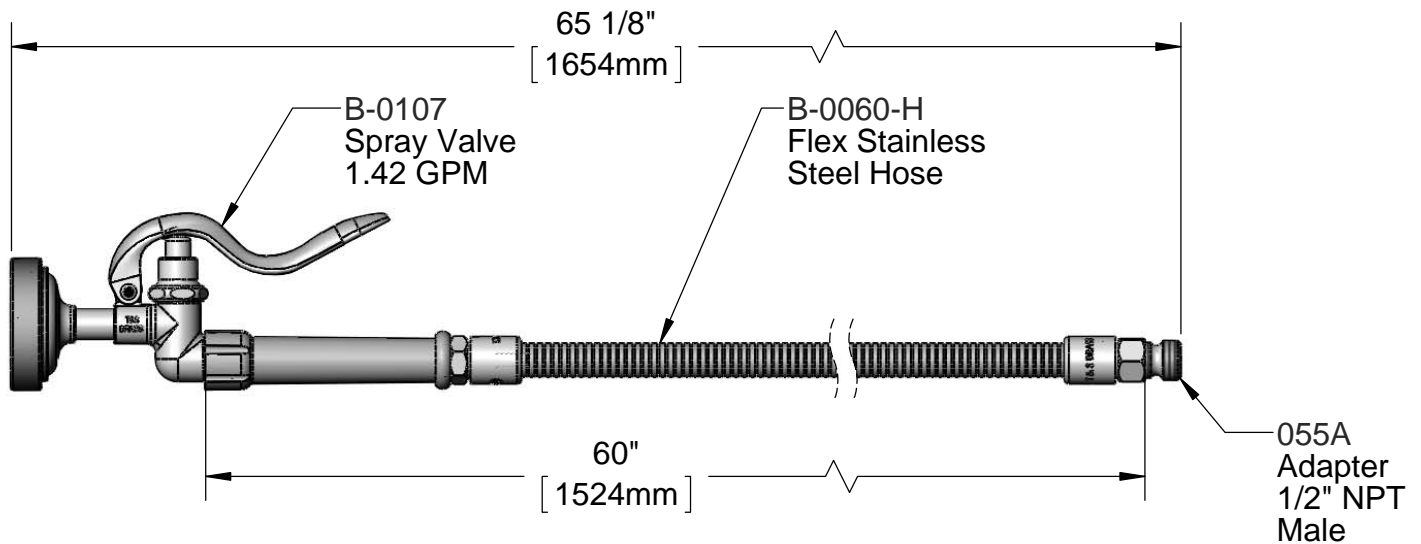
EPAct2005 COMPLIANT



Spray Face



Hold Down Ring w/
Hose Washer



Note: Standard Flex Hose = 60" Long
(Modified Lengths Available Upon Request)

Product Specifications:
Pre-Rinse Unit Accessory
B-0107 Spray Valve w/ B-0060-H Flex Hose

Drawn
DHL

Checked
JRM

Approved
JHB

Scale:
1:4

Date:
08/24/12



T&S BRASS AND BRONZE WORKS, INC.

2 Saddleback Cove / P.O. Box 1088

Travelers Rest, SC 29690

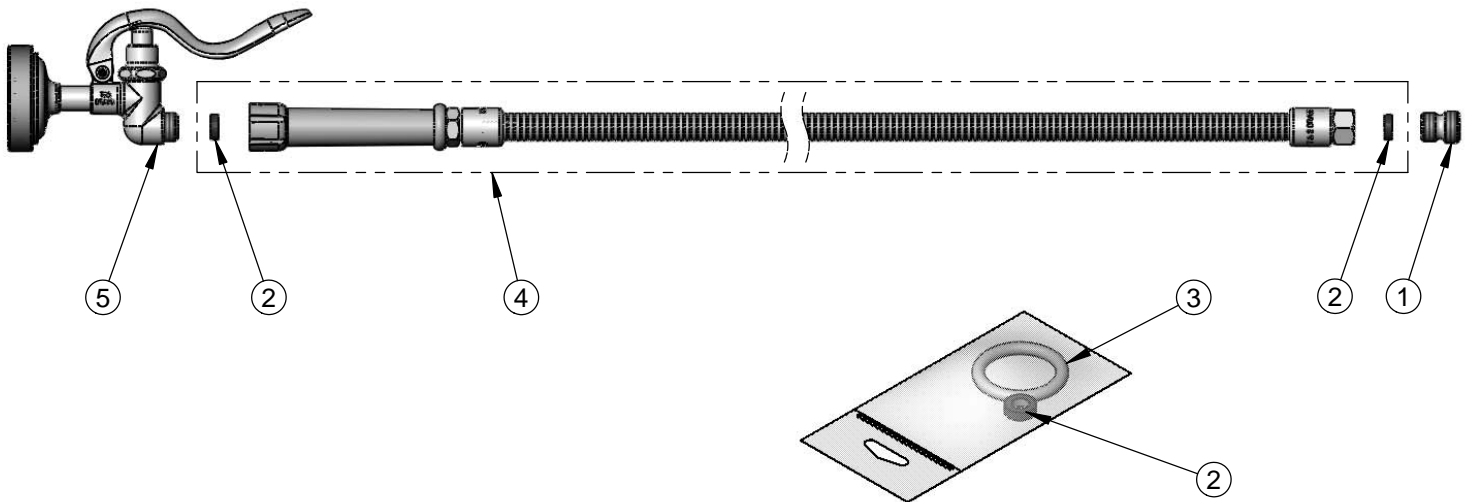
Model No.

B-0100-60H

Item No.

Travelers Rest, SC: 800-476-4103 • Simi Valley, CA: 800-423-0150 • Fax: 864-834-3518 • www.tsbrass.com

ITEM NO.	SALES NO.	DESCRIPTION
1	055A	Adapter, 1/2 NPT Male
2	010476-45	#27 Washer
3	000907-45	Spray Valve Hold Down Ring
4	B-0060-H	60" Stainless Steel Flex Hose
5	B-0107	Spray Valve Assembly



Product Specifications:
 Pre-Rinse Unit Accessory
 B-0107 Spray Valve w/ B-0060-H Flex Hose

Drawn

DHL

Checked

JRM

Approved

JHB

Scale:

NTS

Date:

08/24/12