



T&S BRASS AND BRONZE WORKS, INC.

2 Saddleback Cove / P.O. Box 1088
Travelers Rest, SC 29690

Model No.

B-0100-C-SWV

Item No.

Travelers Rest, SC: 800-476-4103 • Simi Valley, CA: 800-423-0150 • Fax: 864-834-3518 • www.tsbrass.com

This Space for Architect/Engineer Approval

Job Name _____ Date _____

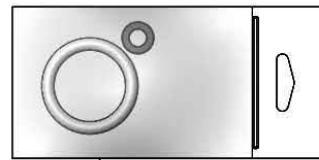
Model Specified _____ Quantity _____

Customer/Wholesaler _____

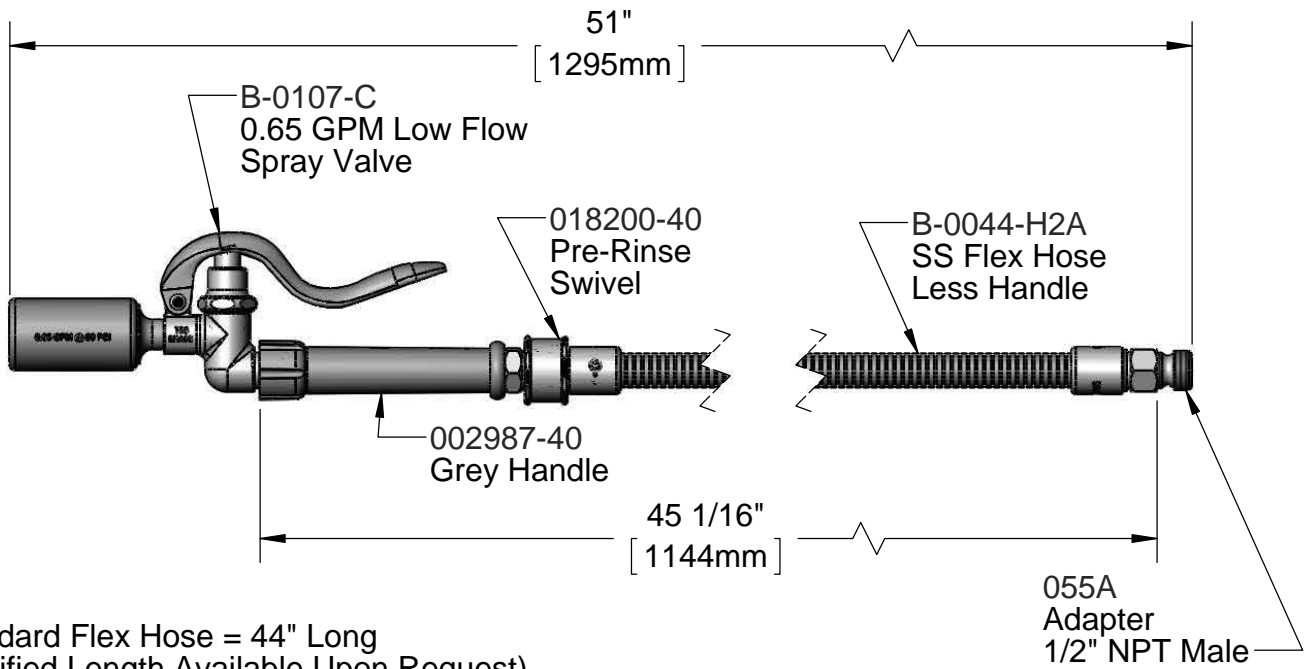
Contractor _____

Architect/Engineer _____

EPAct2005 COMPLIANT



Hold Down Ring w/
Hose Washer



Product Specifications:
Pre-Rinse Unit Accessory
B-0107-C Spray Valve w/ B-0044-H Flex Hose & Swivel

Drawn JRM	Checked DHL	Approved JHB
Scale: 1:4		Date: 02/13/12



T&S BRASS AND BRONZE WORKS, INC.

2 Saddleback Cove / P.O. Box 1088
Travelers Rest, SC 29690

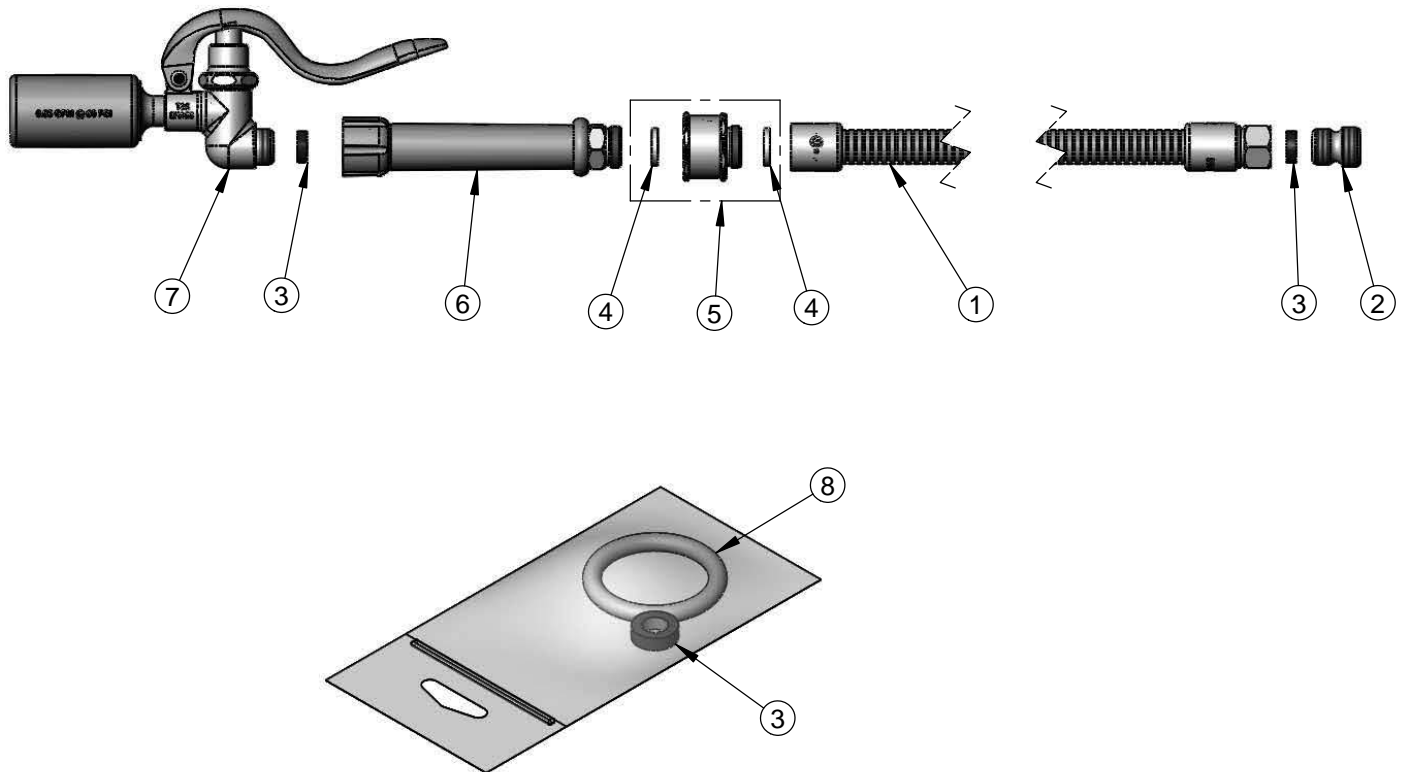
Model No.

B-0100-C-SWV

Item No.

Travelers Rest, SC: 800-476-4103 • Simi Valley, CA: 800-423-0150 • Fax: 864-834-3518 • www.tsbrass.com

ITEM NO.	SALES NO.	DESCRIPTION
1	B-0044-H2A	44" Flex Hose
2	055A	Adapter
3	010476-45	#27 Washer
4	001014-45	Washer, B-0100 Hose Barrel
5	018200-40	Pre-Rinse Swivel
6	002987-40	Grey Handle Assembly
7	B-0107-C	Spray Valve Assembly w/ Hold Down Ring & Washer
8	000907-45	Spray Valve Hold Down Ring



Product Specifications:
Pre-Rinse Unit Accessory
B-0107-C Spray Valve w/ B-0044-H Flex Hose & Swivel

Drawn
JRM

Checked
DHL

Approved
JHB

Scale:
NTS

Date:
02/13/12