



**T&S BRASS AND BRONZE WORKS, INC.**

2 Saddleback Cove / P.O. Box 1088  
Travelers Rest, SC 29690

Model No.

**B-0100-J-SWV**

Item No.

Travelers Rest, SC: 800-476-4103 • Simi Valley, CA: 800-423-0150 • Fax: 864-834-3518 • www.tsbrass.com

This Space for Architect/Engineer Approval

Job Name \_\_\_\_\_ Date \_\_\_\_\_

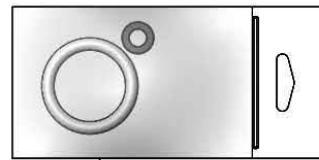
Model Specified \_\_\_\_\_ Quantity \_\_\_\_\_

Customer/Wholesaler \_\_\_\_\_

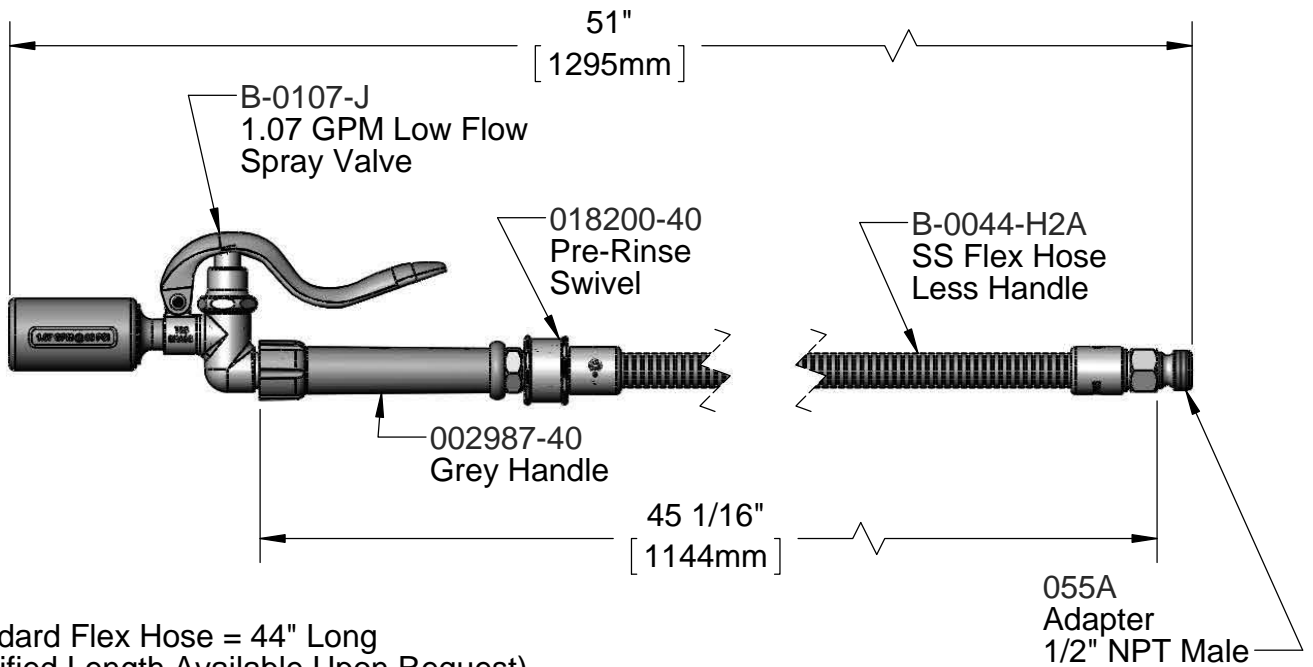
Contractor \_\_\_\_\_

Architect/Engineer \_\_\_\_\_

**EPAct2005 COMPLIANT**



Hold Down Ring w/  
Hose Washer



Product Specifications:  
Pre-Rinse Unit Accessory  
B-0107-J Spray Valve w/ B-0044-H Flex Hose & Swivel

Drawn <b>JRM</b>	Checked <b>KJG</b>	Approved <b>JHB</b>
Scale: <b>1:4</b>		Date: <b>03/22/12</b>



# T&S BRASS AND BRONZE WORKS, INC.

2 Saddleback Cove / P.O. Box 1088  
Travelers Rest, SC 29690

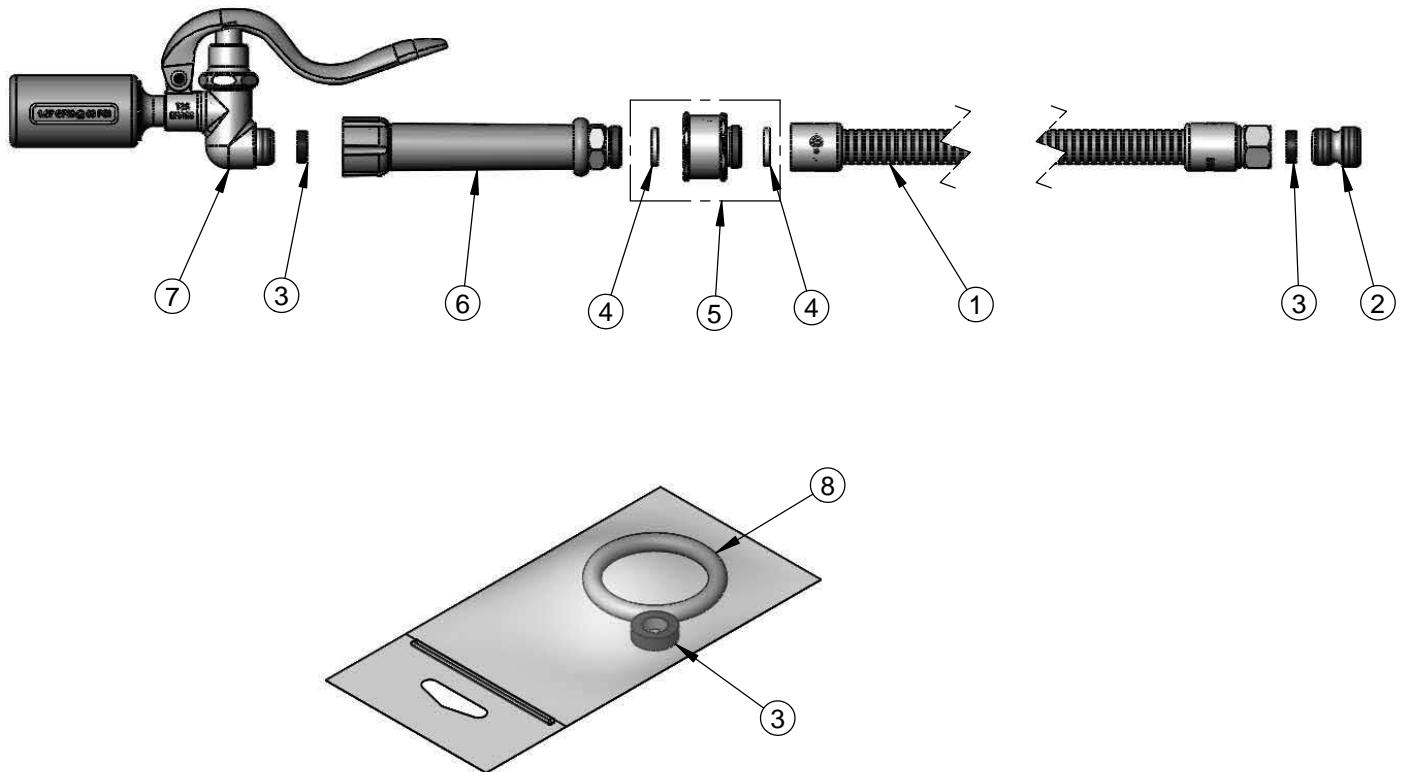
Model No.

**B-0100-J-SWV**

Item No.

Travelers Rest, SC: 800-476-4103 • Simi Valley, CA: 800-423-0150 • Fax: 864-834-3518 • www.tsbrass.com

ITEM NO.	SALES NO.	DESCRIPTION
1	B-0044-H2A	44" Flex Hose
2	055A	Adapter
3	010476-45	#27 Washer
4	001014-45	Washer, B-0100 Hose Barrel
5	018200-40	Pre-Rinse Swivel
6	002987-40	Grey Handle Assembly
7	B-0107-J	Spray Valve Assembly w/ Hold Down Ring & Washer
8	000907-45	Spray Valve Hold Down Ring



Product Specifications:  
Pre-Rinse Unit Accessory  
B-0107-J Spray Valve w/ B-0044-H Flex Hose & Swivel

Drawn

JRM

Checked

KJG

Approved

JHB

Scale:

NTS

Date:

03/22/12