



**T&S BRASS AND BRONZE WORKS, INC.**

2 Saddleback Cove / P.O. Box 1088  
 Travelers Rest, SC 29690

Model No.

**B-0100-SWV**

Item No.

Travelers Rest, SC: 800-476-4103 • Simi Valley, CA: 800-423-0150 • Fax: 864-834-3518 • www.tsbrass.com

This Space for Architect/Engineer Approval

Job Name \_\_\_\_\_ Date \_\_\_\_\_

Model Specified \_\_\_\_\_ Quantity \_\_\_\_\_

Customer/Wholesaler \_\_\_\_\_

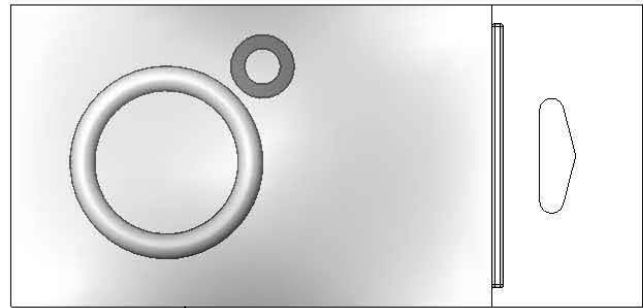
Contractor \_\_\_\_\_

Architect/Engineer \_\_\_\_\_

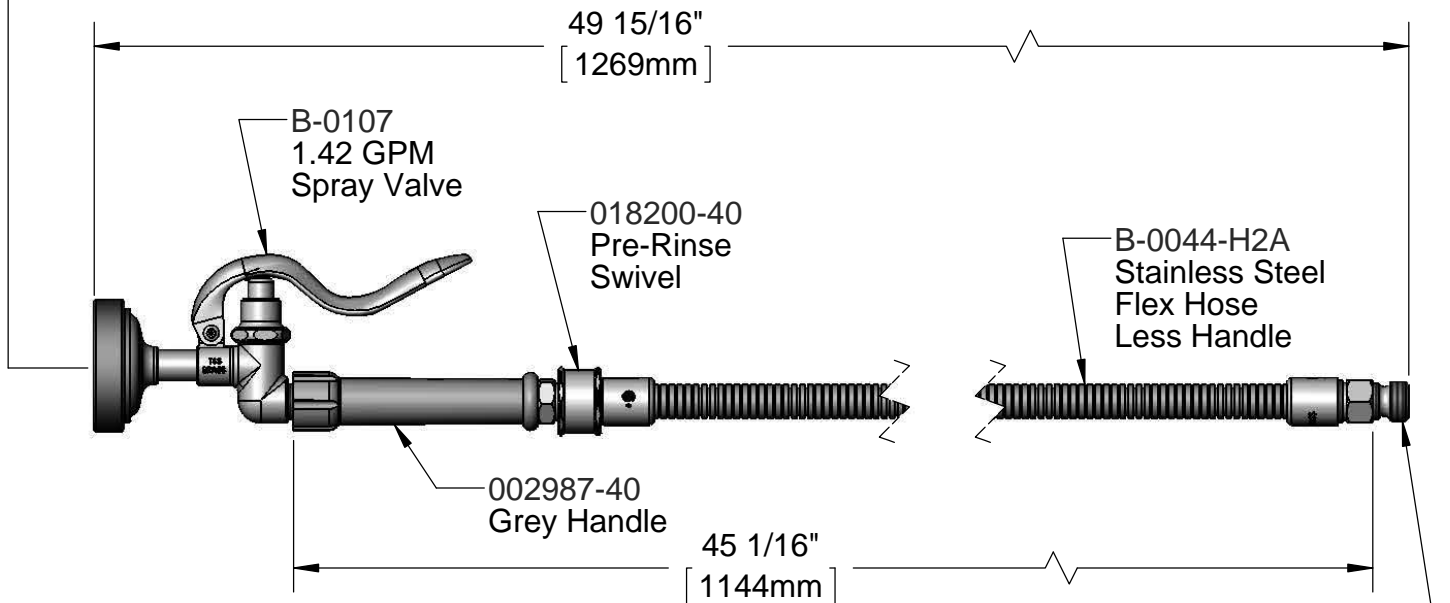
**EPAAct2005 COMPLIANT**



Spray Face



Hold Down Ring w/  
Hose Washer



Note: Standard Flex Hose = 44" Long  
 (Modified Length Available Upon Request)

Product Specifications:  
 Pre-Rinse Unit Accessory  
 B-0107 Spray Valve w/ B-0044-H Flex Hose & Swivel

|                      |                       |                          |
|----------------------|-----------------------|--------------------------|
| Drawn<br><b>JRM</b>  | Checked<br><b>DHL</b> | Approved<br><b>JHB</b>   |
| Scale:<br><b>1:4</b> |                       | Date:<br><b>02/13/12</b> |



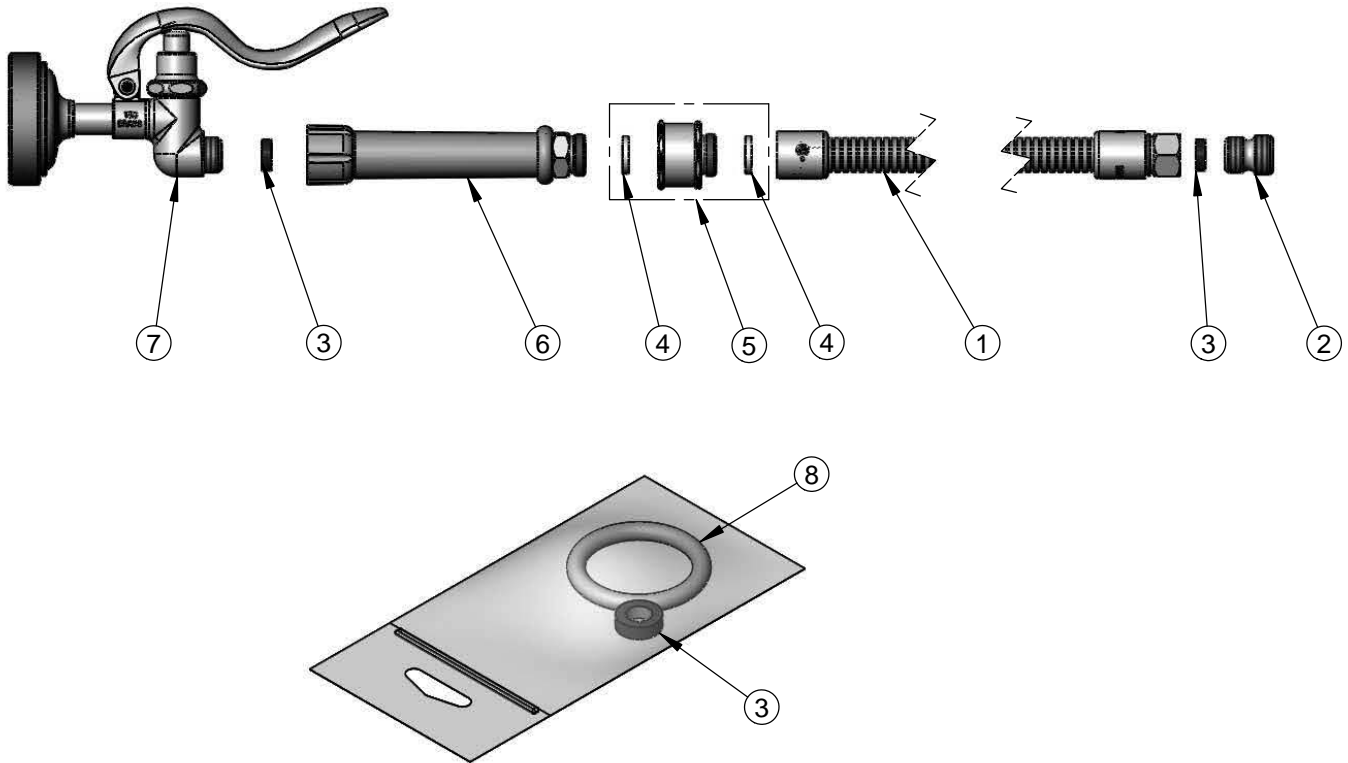
**T&S BRASS AND BRONZE WORKS, INC.**  
 2 Saddleback Cove / P.O. Box 1088  
 Travelers Rest, SC 29690

Model No.  
**B-0100-SWV**

Item No.

Travelers Rest, SC: 800-476-4103 • Simi Valley, CA: 800-423-0150 • Fax: 864-834-3518 • www.tsbrass.com

| ITEM NO. | SALES NO.  | DESCRIPTION                                     |
|----------|------------|---|
| 1        | B-0044-H2A | 44" SS Flex Hose                                |
| 2        | 055A       | Adapter   |
| 3        | 010476-45  | #27 Washer                                      |
| 4        | 001014-45  | Washer, B-0100 Hose Barrel                      |
| 5        | 018200-40  | Pre-Rinse Swivel                                |
| 6        | 002987-40  | Grey Handle Assembly                            |
| 7        | B-0107     | Spray Valve Assembly w/ Hold Down Ring & Washer |
| 8        | 000907-45  | Spray Valve Hold Down Ring                      |



Product Specifications:  
 Pre-Rinse Unit Accessory  
 B-0107 Spray Valve w/ B-0044-H Flex Hose & Swivel

|                      |                       |                          |
|----------------------|-----------------------|--------------------------|
| Drawn<br><b>JRM</b>  | Checked<br><b>DHL</b> | Approved<br><b>JHB</b>   |
| Scale:<br><b>NTS</b> |                       | Date:<br><b>02/13/12</b> |