



T&S BRASS AND BRONZE WORKS, INC.
 2 Saddleback Cove / P.O. Box 1088
 Travelers Rest, SC 29690

Model No.
B-0100-UNIV

Item No.

Travelers Rest, SC: 800-476-4103 • Simi Valley, CA: 800-423-0150 • Fax: 864-834-3518 • www.tsbrass.com

This Space for Architect/Engineer Approval

Job Name _____ Date _____

Model Specified _____ Quantity _____

Customer/Wholesaler _____

Contractor _____

Architect/Engineer _____

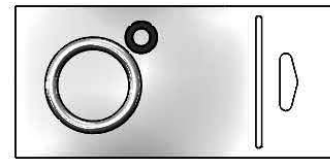
EPAct 2005 Compliant



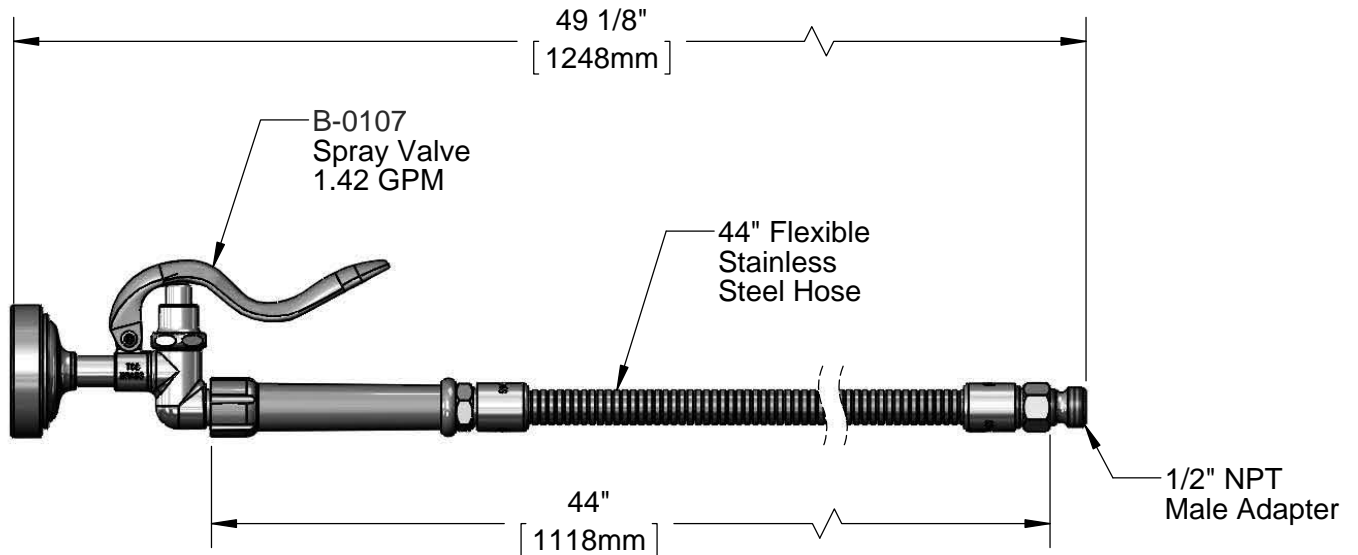
053A
 3/8" NPT Male
 Adapter (Included)



172A
 1/4" NPT Male
 Adapter (Included)



Hold Down Ring
 & Washer
 (Included)



Product Specifications:
 B-0107 Spray Valve w/ 44" Flexible Stainless Steel Hose & Adapters

Drawn KJG	Checked DMH	Approved JHB
Scale: 1:4		Date: 01/28/14



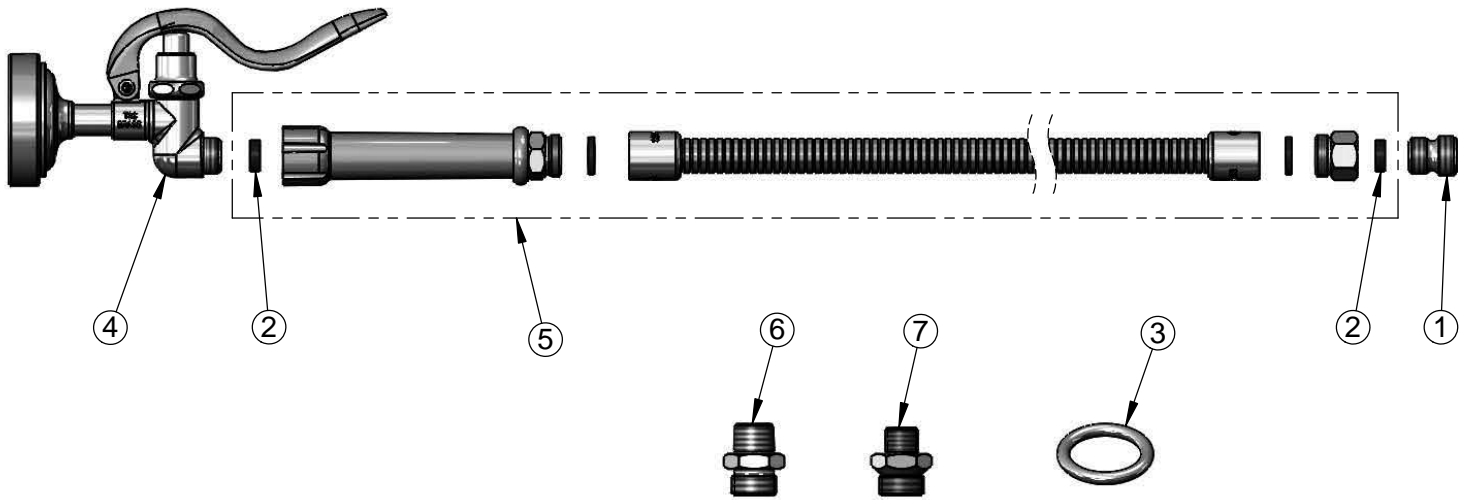
T&S BRASS AND BRONZE WORKS, INC.
 2 Saddleback Cove / P.O. Box 1088
 Travelers Rest, SC 29690

Model No.
B-0100-UNIV

Item No.

Travelers Rest, SC: 800-476-4103 • Simi Valley, CA: 800-423-0150 • Fax: 864-834-3518 • www.tsbrass.com

ITEM NO.	SALES NO.	DESCRIPTION
1	055A	Adapter, 1/2 NPT Male
2	010476-45	#27 Washer
3	000907-45	Spray Valve Hold Down Ring
4	B-0107	1.42 GPM Spray Valve
5	B-0044-H	44" Stainless Steel Flex Hose
6	053A	Adapter, 3/8" NPT Male
7	172A	Adapter, 1/4" NPT Male



Product Specifications:
 B-0107 Spray Valve w/ 44" Flexible Stainless Steel Hose & Adapters

Drawn KJG	Checked DMH	Approved JHB
Scale: NTS		Date: 01/28/14