



T&S BRASS AND BRONZE WORKS, INC.

2 Saddleback Cove / P.O. Box 1088
Travelers Rest, SC 29690

Model No.

B-0101-60H

Item No.

Travelers Rest, SC: 800-476-4103 • Simi Valley, CA: 800-423-0150 • Fax: 864-834-3518 • www.tsbrass.com

This Space for Architect/Engineer Approval

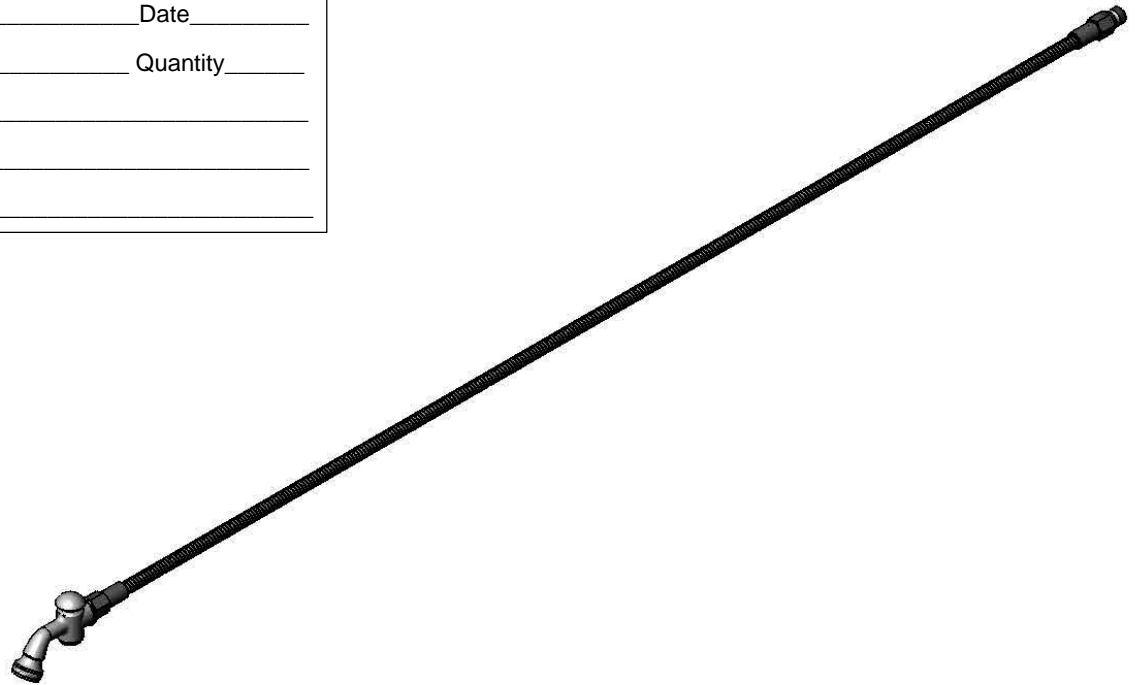
Job Name _____ Date _____

Model Specified _____ Quantity _____

Customer/Wholesaler _____

Contractor _____

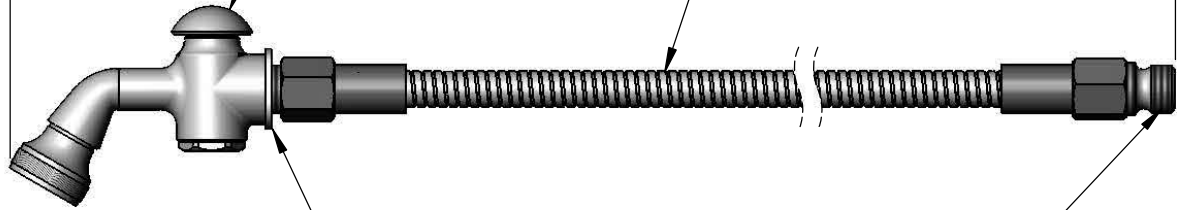
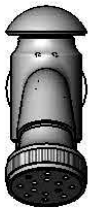
Architect/Engineer _____



← (65 3/16" [1651mm]) →

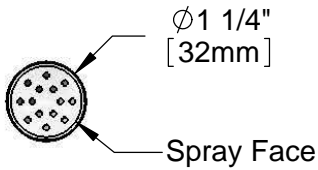
Push Button
Spray Valve w/
B-0103
Rosespray Outlet

60" Flexible
Stainless
Steel Hose



Stainless Steel Washer
(Secures Spray Valve)

1/2" NPT
Male Adapter



Ø1 1/4"
[32mm]

Spray Face

Product Specifications:
Spray Valve w/ Rosespray Outlet & 60" Flexible Stainless Steel Hose

Product Compliance:
ASME A112.18.1 / CSA B125.1
NSF 61 - Section 9
NSF 372 (Low Lead Content)
EPA Act 2005 Non-Compliant (PRSV)
Product Not Designed/Intended for
Commercial Warewashing in North America



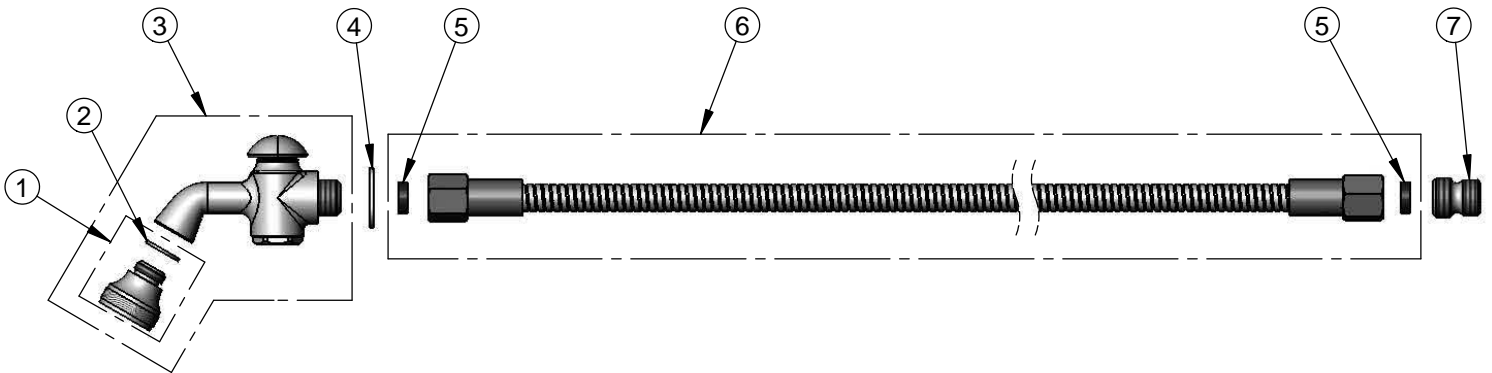
T&S BRASS AND BRONZE WORKS, INC.
 2 Saddleback Cove / P.O. Box 1088
 Travelers Rest, SC 29690

Model No.
B-0101-60H

Item No.

Travelers Rest, SC: 800-476-4103 • Simi Valley, CA: 800-423-0150 • Fax: 864-834-3518 • www.tsbrass.com

ITEM NO.	SALES NO.	DESCRIPTION
1	B-0103	Rosespray Outlet, 3/8" NPSM Male
2	001043-45	Washer
3	002857-40	016A Spray Valve
4	001010-40	Washer, Stainless Steel
5	010476-45	#27 Washer
6	013E-60H	60" Flexible Stainless Steel Hose
7	055A	Adapter, 1/2 NPT Male



Product Specifications:
 Spray Valve w/ Rosespray Outlet & 60" Flexible Stainless Steel Hose

Product Compliance:
 ASME A112.18.1 / CSA B125.1
 NSF 61 - Section 9
 NSF 372 (Low Lead Content)
 EPA 2005 Non-Compliant (PRSV)
 Product Not Designed/Intended for
 Commercial Warewashing in North America