

Limited One Year Warranty
T&S warrants to the original purchaser (other than for purposes of resale) that such product is free from defects in material and workmanship for a period of one (1) year from the date of purchase. During this one-year warranty period, if the product is found to be defective, T&S shall, at its options, repair and/or replace it. To obtain warranty service, products must be returned to...

T&S Brass and Bronze Works, Inc.
Attn: Warranty Repair Department
2 Saddleback Cove
Travelers Rest, SC 29690

Shipping, freight, insurance, and other transportation charges of the product to T&S and the return of repaired or replaced product to the purchaser are the responsibility of the purchaser. Repair and/or replacement shall be made within a reasonable time after receipt by T&S of the returned product. This warranty does not cover items which have received secondary finishing or have been altered or modified after purchase, or for defects caused by physical abuse to or misuse of the product, or shipment of the products.

Any express warranty not provided herein, and any remedy for Breach of Contract which might arise, is hereby excluded and disclaimed. Any implied warranties of merchantability or fitness for a particular purpose are limited to one year in duration. Under no circumstances shall T&S be liable for loss of use or any special consequential costs, expenses or damages.

Some states do not allow limitations on how long and implied warranty lasts or the exclusion or limitation of incidental or consequential damages, so the above limitations or exclusions may not apply to you. Specific rights under this warranty and other rights vary from state to state.

P/N: 098-003159-45 Rev.2
Date: 990601
Drawn: CW
Checked: MAB 11-12-99
Approved: MVW 11-13-99

Installation and Maintenance Instructions



B-16-K Parts Kit

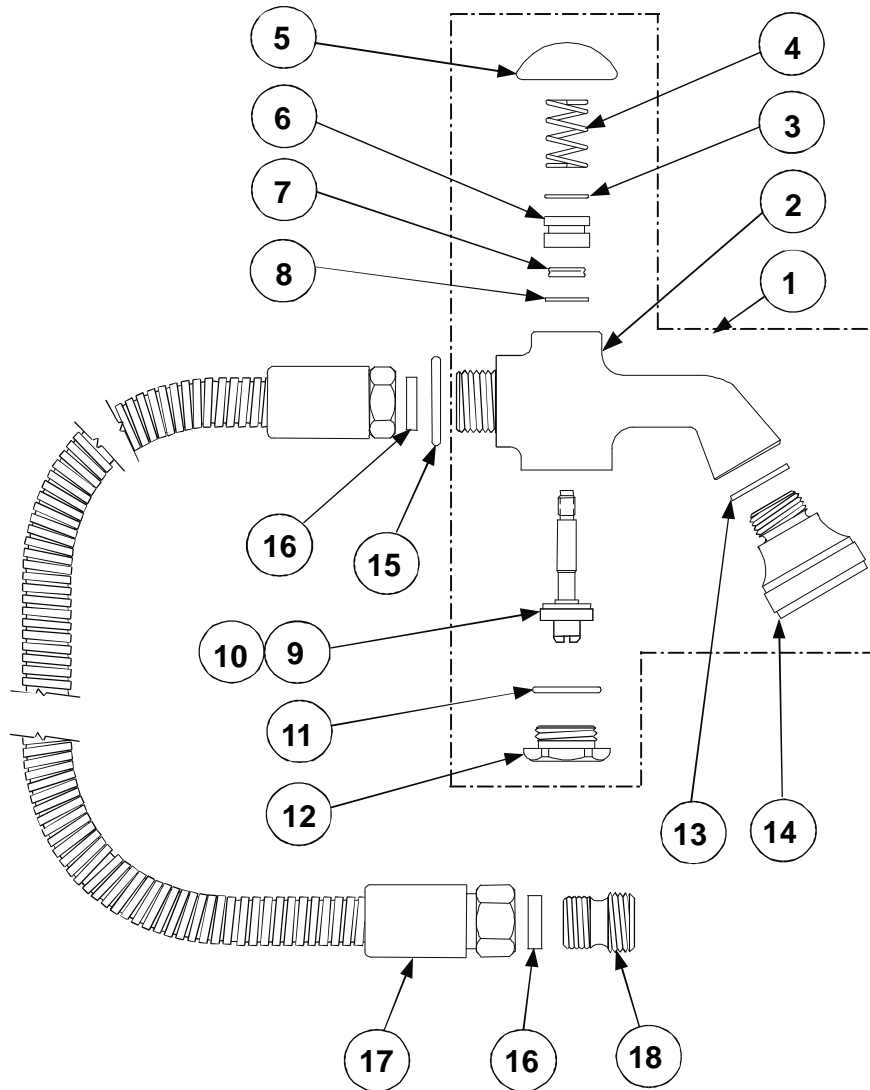
B-0101 Pre-Rinse Spray

**Deutsch: Installations- und
Wartungsanleitungen**

**Español: la Instalación y las
Instrucciones de
Mantenimiento**

**Français: les Instructions
d'Installation et
d'Entretien**

Exploded View



* Some items are listed for instructional purposes and may not be sold as separate parts.

Part Number Guide

Pre-Rinse Assembly

1	Asm Body, Valve	002857-40
2	Body, Valve	000171-40
3	'O'-Ring, Bonnet	001063-45
4	Spring	000894-45
5	Cap	000622-40
6	Insert, Spray Valve	*
7	Quad Ring	*
8	Washer, Bonnet	000974-45
9	Asm, Stem	*
10	Washer, Seat	001094-45
11	'O'-Ring, Insert	001062-45
12	Cap, Hex (T&S)	000623-40
13	Washer, GN Tip	001043-45
14	Asm, Spray Head	002209-40
15	Washer, Ring	001010-40
16	Washer, Hose Barrel	010476-45
17	Hose, SS Flex 3/6"	B-0036-H
18	Adapter	000547-25

Replacement Parts Kit - (B-16K)

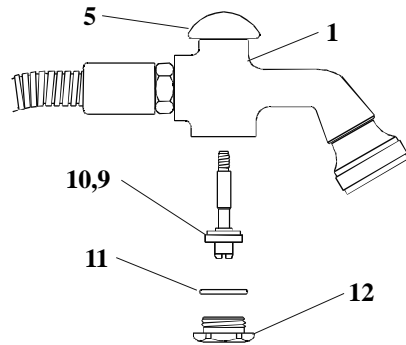
4	Spring	000894-45
8	Washer, Bonnet	000974-45
9	Packing Stem	001100-45
10	Seat Washer	001094-45
11	'O'-Ring	001062-45
16	Washer, #27	010476-45

General Instructions

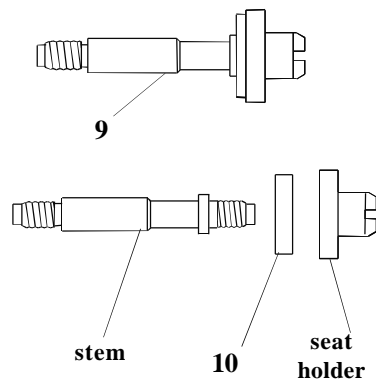
To replace worn parts:

1. Shut off water supply and drain lines. Hold no.1 in one hand, with no.5 in palm and unscrew no.12 at bottom of no.1 with a wrench.

2. Remove no.12. Discard and replace no.11.

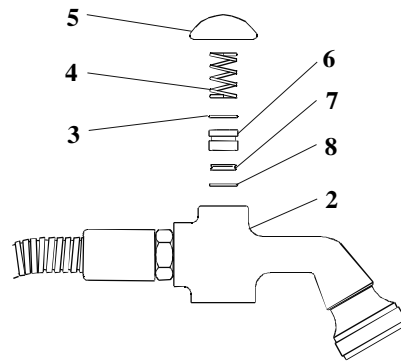


3. Holding no.5 in hand, unscrew no.9 and remove.

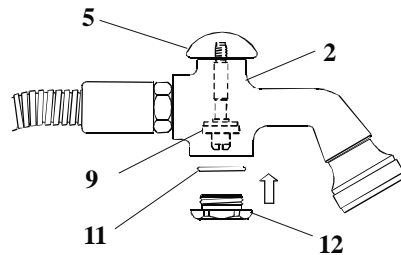


4. Unscrew stem from seat holder, discard old no.10 and replace with new no.10. Reassemble these three parts.

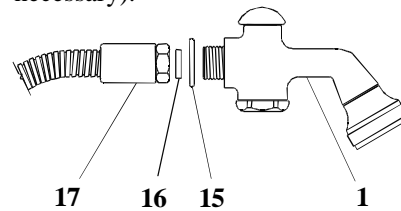
5. Unscrew no.5 and remove from no.2. Discard old no.6 and replace with new no.6. Place no.3 on top of no.6, under new no.4. Place no.5 on top of no.4, loosely.



6. Hold no.5 (in place) and no.2 in one hand, push and screw no.9 up through no.2 until snug



7. To replace no.16, unscrew no.17 from no.1 and remove, then replace with new no.16. (Both ends if necessary).

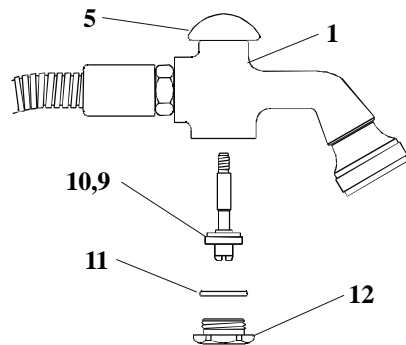


Instrucciones Generales

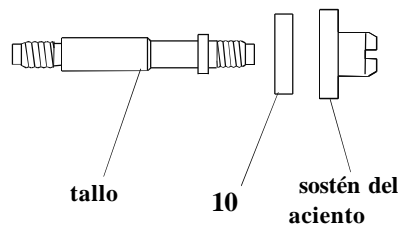
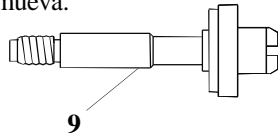
Para reemplazar las partes desgastadas:

1. Cierre la fuente principal de agua y desagüe las tuberías. Sostenga la parte No. 1 en la mano con la parte No. 5 en la palma, destornille la parte No. 12 a la base de la parte No. 1 con una llave.

2. Remueva la parte No. 12. Desheche y reemplaze la parte No. 11.

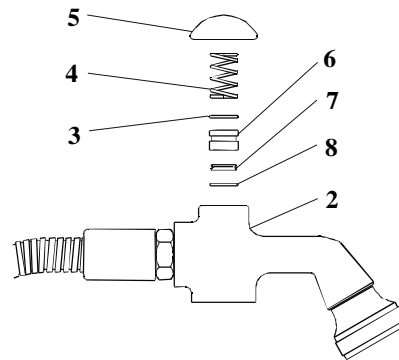


3. Sosteniendo la parte No. 5 en la mano, destornille la parte No. 9 y remueva.

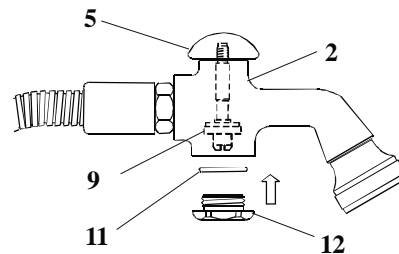


4. Destornille el tallo del sostén del asiento, desheche la parte vieja No. 10 y reemplaze con una parte No. 10 nueva. Reensamble estas tres partes.

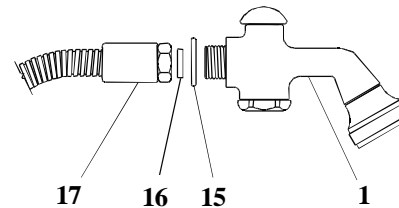
5. Destornille la parte No. 5 y remuévala de la parte No. 2. Desheche la parte vieja No. 6 y reemplaze con una parte nueva No. 4. Flojamente coloque la parte No. 5 sobre la parte No. 4.



6. Sostenga la parte No. 5 (en sitio) y la parte No. 2 en una mano, empuje y atornille la parte No. 9 a través de la parte No. 2, hasta que este ajustado.



7. Reemplaze la parte No. 16, destornille la parte No. 17 de la parte No. 1 y remuévala, luego reemplaze con una parte nueva No. 16. (Ambos lados si es necesario.)



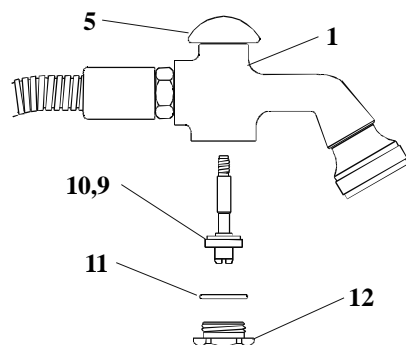
Instructions Générales

Pour remplacer les parties

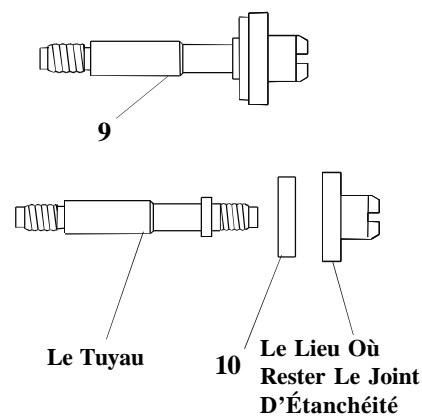
usées:

1. Fermer la réserve de l'eau et égoutter la tuyauterie. Tenir N°.1 dans un main, avec le N°.5 dans la paume et dévisser N°.12 au fond de N°.1 avec une clef.

2. Enlever N°.12. Mettre au rebut et remplacer N°.11.

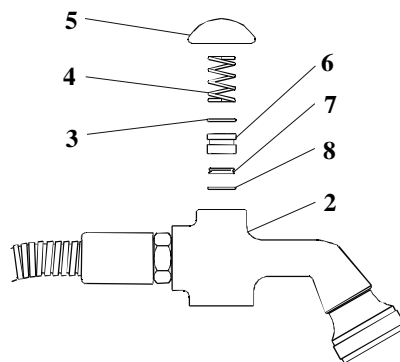


3. En tenant N°.5 dans le main, dévisser N°.9 et enlever.

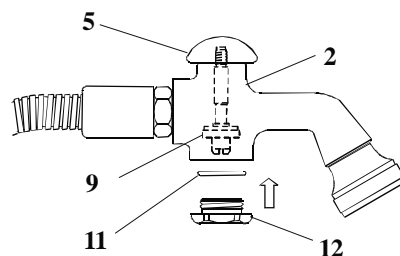


4. Dévisser le tuyau du lieu où rester le joint d'étanchéité et mettre au rebut le vieux N°.10 et remplacer avec un nouveau N°.10. Réassembler ces trois parties.

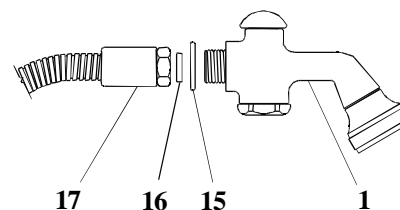
5. Dévisser N°.5 et enlever de N°.2. Mettre au rebut le vieux N°.6 et remplacer avec un nouveau N°.6. Mettre N°.3 sur N°.6 et le nouveau N°.4. Mettre N°.5 sur N°.4 sans serrer.



6. Tenir N°.5 (à sa place) et N°.2 dans un main, pousser et visser N°.9 à travers N°.2 jusqu' il être bien ajusté.



7. Pour remplacer N°.16, dévisser N°.17 de N°.1 et enlever, puis remplacer avec un nouveau N°.16. (Chaque extrémité si nécessaire).

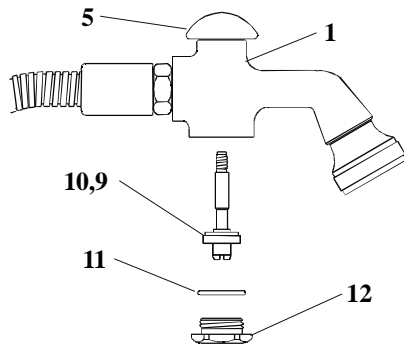


Allgemeine Anleitungen

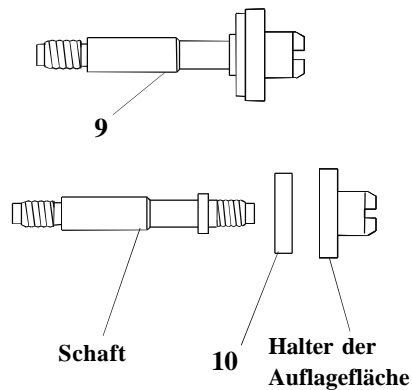
Ersatz von Verschleißteilen:

1. Wasser absperrn und Wasserleitungen entleeren. Nr. 1 in einer Hand halten, mit Nr. 5 in der Hand, Nr. 12 am Unterteil von Nr.1 mit Schraubenschlüssel

2. Nr. 12 entfernen und durch Nr. 11 ersetzen .

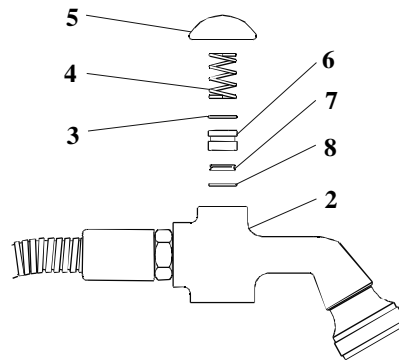


3. Nr. 5 in der Hand halten, Nr.9 losdrehen und entfernen.

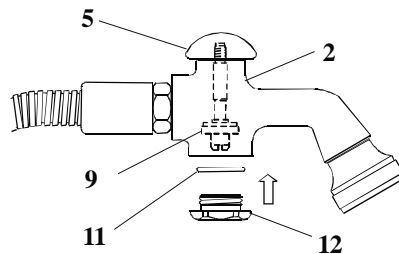


4. Schaft von der Auflagefläche losdrehen, altes Nr. 10 entfernen und durch neues Nr. 10 ersetzen. Diese drei Teile wieder zusammensetzen.

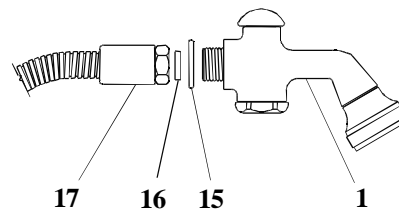
5. Nr. 5 losschrauben und von Nr. 2 entfernen. Altes Nr. 6 herausnehmen und durch neues Nr. 6 ersetzen. Nr. 3 auf Nr. 6 unter und neues Nr. 4 aufsetzen. Nr. 5 lose auf Nr. 4 aufsetzen.



6. Nr. 5 festhalten und mit Nr. 2 in einer Hand Nr. 9 durch Nr. 2 durchschieben und festziehen, bis Nr. 2 fest angeschraubt ist.



7. Um Nr. 16 zu ersetzen, Nr.17 von Nr.1 losschrauben und entfernen, dann durch neues Nr. 16 ersetzen (beide Enden, falls erforderlich).



RELATED T&S BRASS PRODUCT LINE



**B-0106
PRE-RINSE
BRUSH SPRAY
UNIT**



**B-0102-C
POT & KETTLE
FILLER**

T&S BRASS AND BRONZE WORKS, INC.

A firm commitment to application-engineered plumbing products

2 Saddleback Cove, P.O. Box 1088,
Travelers Rest, SC 29690

Phone: (864) 834-4102
Fax: (864) 834-3518

E-mail: tsbrass@tsbrass.com

T & S Brass-Europe
'De Veenhoeve'
Oude Nieuwveenseweg 84
2441 CW Nieuwveen
The Netherlands

