



# T&S BRASS AND BRONZE WORKS, INC.

2 Saddleback Cove / P.O. Box 1088  
Travelers Rest, SC 29690

Model No.

**B-0101-A60**

Item No.

Travelers Rest, SC: 800-476-4103 • Simi Valley, CA: 800-423-0150 • Fax: 864-834-3518 • www.tsbrass.com

This Space for Architect/Engineer Approval

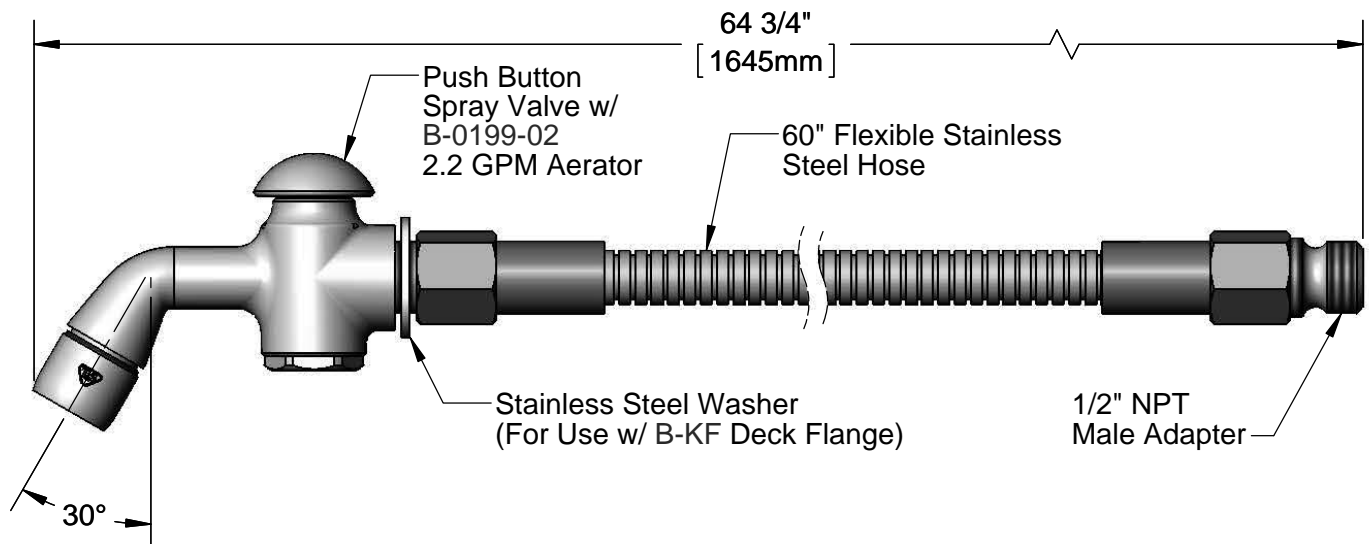
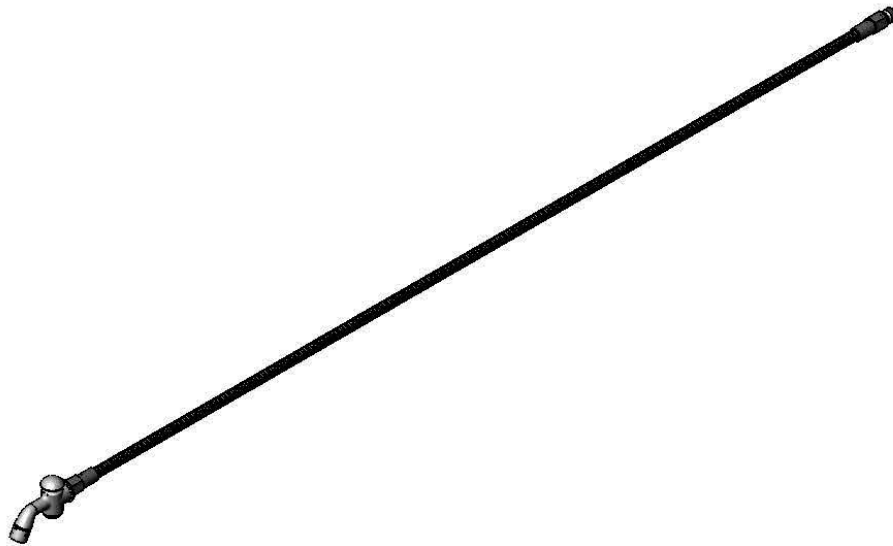
Job Name \_\_\_\_\_ Date \_\_\_\_\_

Model Specified \_\_\_\_\_ Quantity \_\_\_\_\_

Customer/Wholesaler \_\_\_\_\_

Contractor \_\_\_\_\_

Architect/Engineer \_\_\_\_\_



**Product Specifications:**

Push Button Spray Valve w/ 2.2 GPM Aerator & 60" Flexible Stainless Steel Hose w/ Adapter

**Product Compliance:**

ASME A112.18.1 / CSA B125.1  
NSF 61 - Section 9  
NSF 372 (Low Lead Content)  
EPA Act 2005 Non-Compliant (PRSV)  
Product Not Designed/Intended for Commercial Warewashing in North America



**T&S BRASS AND BRONZE WORKS, INC.**

2 Saddleback Cove / P.O. Box 1088  
Travelers Rest, SC 29690

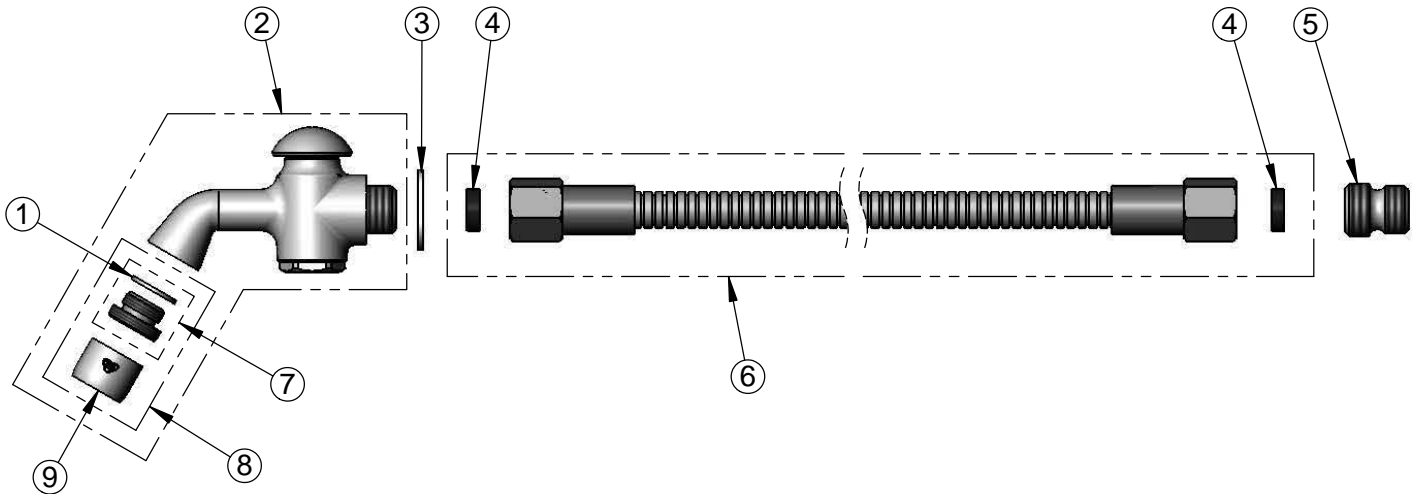
Model No.

**B-0101-A60**

Item No.

Travelers Rest, SC: 800-476-4103 • Simi Valley, CA: 800-423-0150 • Fax: 864-834-3518 • www.tsbrass.com

| ITEM NO. | SALES NO. | DESCRIPTION                                |
|----------|-----------|--|
| 1        | 001043-45 | Washer                                     |
| 2        | 002858-40 | Push Button Spray Valve w/ 2.2 GPM Aerator |
| 3        | 001010-40 | Washer, Stainless Steel                    |
| 4        | 010476-45 | #27 Washer                                 |
| 5        | 055A      | Adapter, 1/2 NPT Male                      |
| 6        | 013E-60H  | 60" Flexible Stainless Steel Hose          |
| 7        | 044A      | 3/8" to Aerator Adapter                    |
| 8        | B-0199-02 | 2.2 GPM Aerator, 3/8" NPSM Male            |
| 9        | B-0199-01 | 2.2 GPM Aerator, 55/64"-27 UN Female       |



Product Specifications:  
Push Button Spray Valve w/ 2.2 GPM Aerator & 60" Flexible Stainless Steel  
Hose w/ Adapter

Product Compliance:  
ASME A112.18.1 / CSA B125.1  
NSF 61 - Section 9  
NSF 372 (Low Lead Content)  
EPA Act 2005 Non-Compliant (PRSV)  
Product Not Designed/Intended for  
Commercial Warewashing in North America