



# T&S BRASS AND BRONZE WORKS, INC.

2 Saddleback Cove / P.O. Box 1088  
Travelers Rest, SC 29690

Model No.

**B-0101-BKF**

Item No.

Travelers Rest, SC: 800-476-4103 • Simi Valley, CA: 800-423-0150 • Fax: 864-834-3518 • www.tsbrass.com

This Space for Architect/Engineer Approval

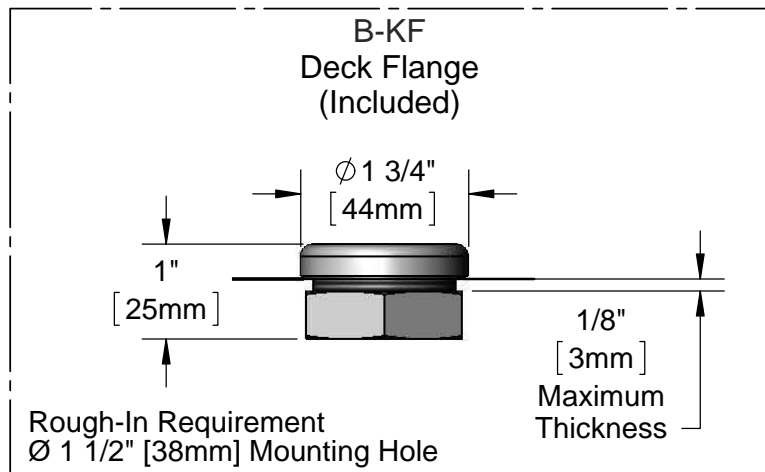
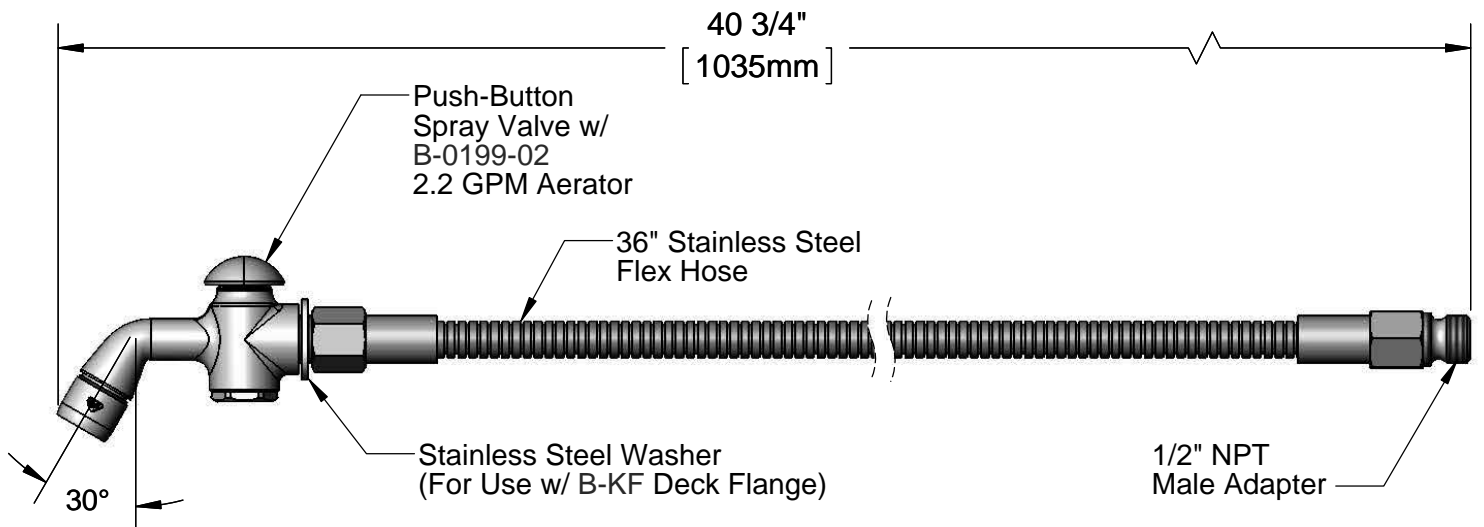
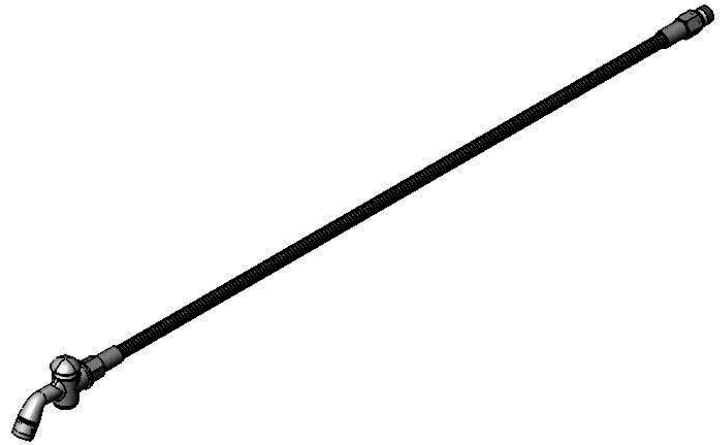
Job Name \_\_\_\_\_ Date \_\_\_\_\_

Model Specified \_\_\_\_\_ Quantity \_\_\_\_\_

Customer/Wholesaler \_\_\_\_\_

Contractor \_\_\_\_\_

Architect/Engineer \_\_\_\_\_



**Product Specifications:**

Push-Button Spray Valve w/ 2.2 GPM Aerator Outlet,  
36" Stainless Steel Flex Hose & B-KF Deck Flange

**Product Compliance:**

ASME A112.18.1 / CSA B125.1  
NSF 61 - Section 9  
NSF 372 (Low Lead Content)  
EPA Act 2005 Non-Compliant (PRSV)  
Product Not Designed/Intended for  
Commercial Warewashing in North America



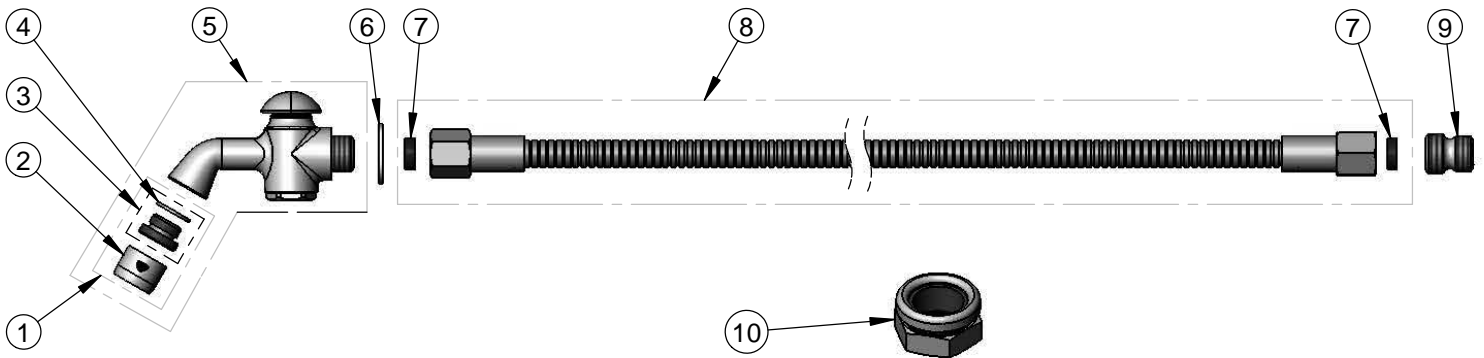
**T&S BRASS AND BRONZE WORKS, INC.**  
 2 Saddleback Cove / P.O. Box 1088  
 Travelers Rest, SC 29690

Model No.  
**B-0101-BKF**

Item No.

Travelers Rest, SC: 800-476-4103 • Simi Valley, CA: 800-423-0150 • Fax: 864-834-3518 • www.tsbrass.com

ITEM NO.	SALES NO.	DESCRIPTION
1	B-0199-02	2.2 GPM Aerator, 3/8" NPSM Male
2	B-0199-01	2.2 GPM Aerator, 55/64"-27 UN Female
3	044A	3/8" to Aerator Adapter
4	001043-45	Washer
5	002858-40	Push-Button Spray Valve w/ 2.2 GPM Aerator
6	001010-40	Washer, Stainless Steel
7	010476-45	#27 Washer
8	013E-36H	36" Stainless Steel Flex Hose
9	055A	Adapter, 1/2 NPT Male
10	B-KF	Deck Flange



Product Specifications:  
 Push-Button Spray Valve w/ 2.2 GPM Aerator Outlet,  
 36" Stainless Steel Flex Hose & B-KF Deck Flange

Product Compliance:  
 ASME A112.18.1 / CSA B125.1  
 NSF 61 - Section 9  
 NSF 372 (Low Lead Content)  
 EPA Act 2005 Non-Compliant (PRSV)  
 Product Not Designed/Intended for  
 Commercial Warewashing in North America