



T&S BRASS AND BRONZE WORKS, INC.
 2 Saddleback Cove / P.O. Box 1088
 Travelers Rest, SC 29690

Model No.
B-0101-E72-053A

Item No.

Travelers Rest, SC: 800-476-4103 • Simi Valley, CA: 800-423-0150 • Fax: 864-834-3518 • www.tsbrass.com

This Space for Architect/Engineer Approval

Job Name _____ Date _____

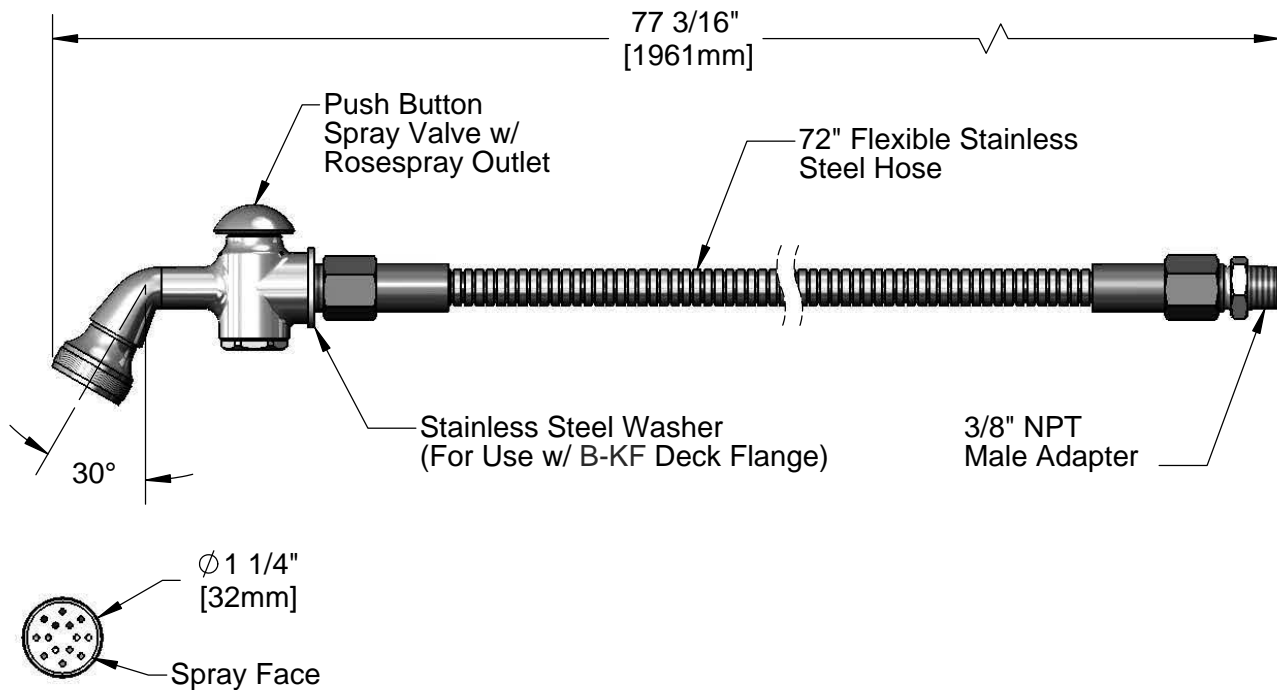
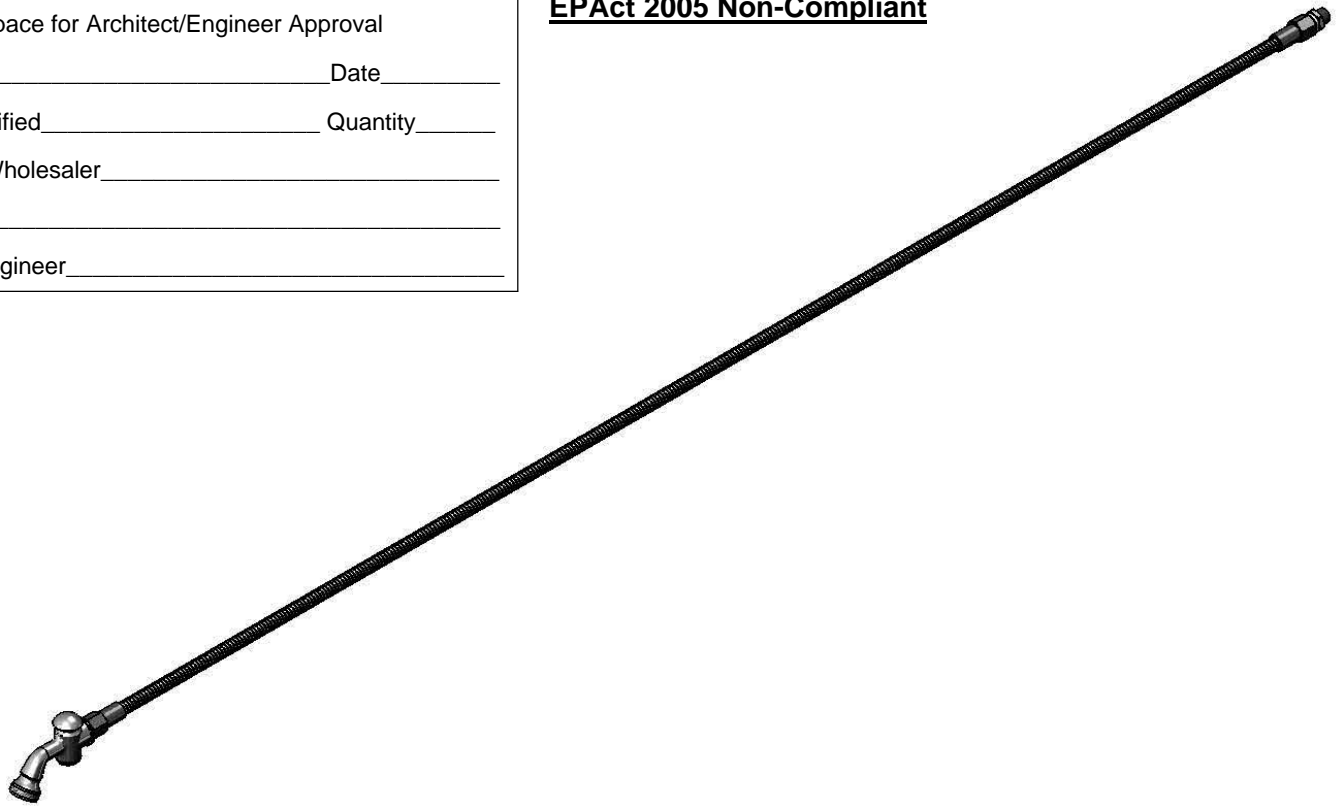
Model Specified _____ Quantity _____

Customer/Wholesaler _____

Contractor _____

Architect/Engineer _____

EPAct 2005 Non-Compliant



Product Specifications:
 Spray Valve w/ Rosespray Outlet & 72" Flexible Stainless Steel Hose

Drawn KJG	Checked DMH	Approved JHB
Scale: 1:3		Date: 01/28/14



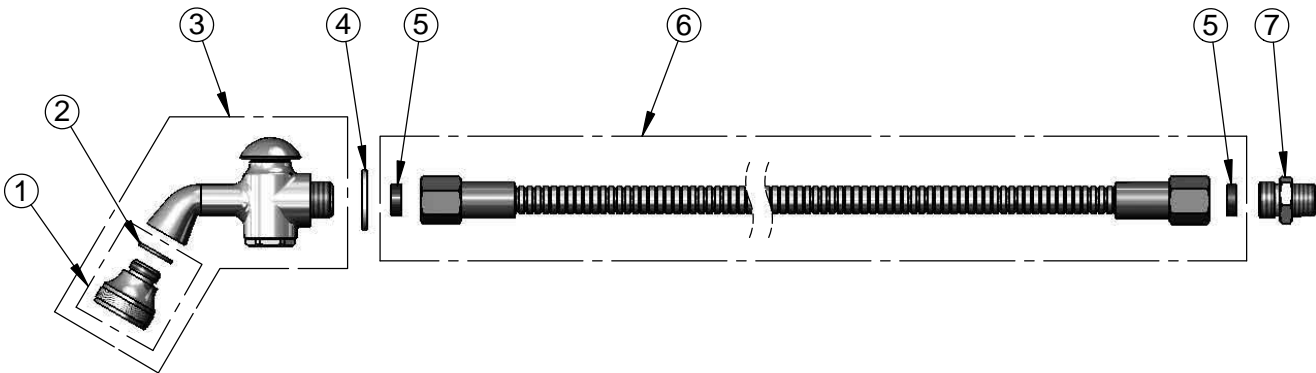
T&S BRASS AND BRONZE WORKS, INC.
 2 Saddleback Cove / P.O. Box 1088
 Travelers Rest, SC 29690

Model No.
B-0101-E72-053A

Item No.

Travelers Rest, SC: 800-476-4103 • Simi Valley, CA: 800-423-0150 • Fax: 864-834-3518 • www.tsbrass.com

ITEM NO.	SALES NO.	DESCRIPTION
1	B-0103	Spray Head Assembly
2	001043-45	Washer
3	002857-40	Spray Valve Assembly w/ Rosespray Outlet
4	001010-40	Washer, Stainless Steel
5	010476-45	#27 Washer
6	013E-72H	Flex Stainless Steel Hose, 72"
7	053A	Adapter, 3/8" NPT Male



Product Specifications:
 Spray Valve w/ Rosespray Outlet & 72" Flexible Stainless Steel Hose

Drawn KJG	Checked DMH	Approved JHB
---------------------	-----------------------	------------------------

Scale: NTS	Date: 01/28/14
----------------------	--------------------------