



T&S BRASS AND BRONZE WORKS, INC.

2 Saddleback Cove / P.O. Box 1088
Travelers Rest, SC 29690

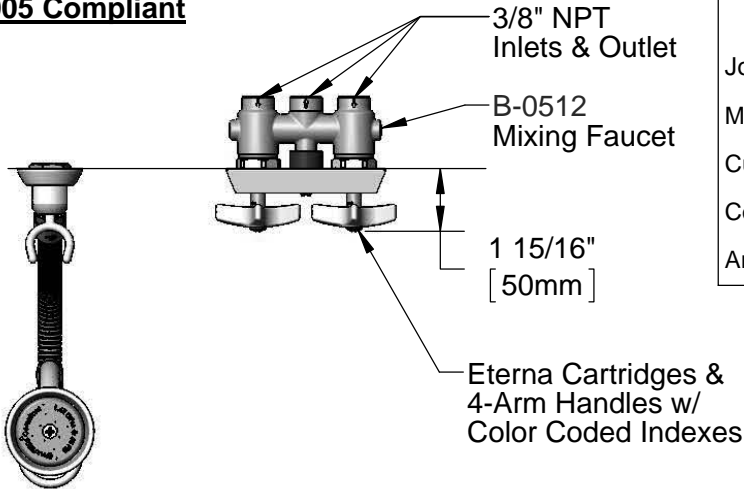
Model No.

B-0105

Item No.

Travelers Rest, SC: 800-476-4103 • Simi Valley, CA: 800-423-0150 • Fax: 864-834-3518 • www.tsbrass.com

EPAct 2005 Compliant



This Space for Architect/Engineer Approval

Job Name _____ Date _____

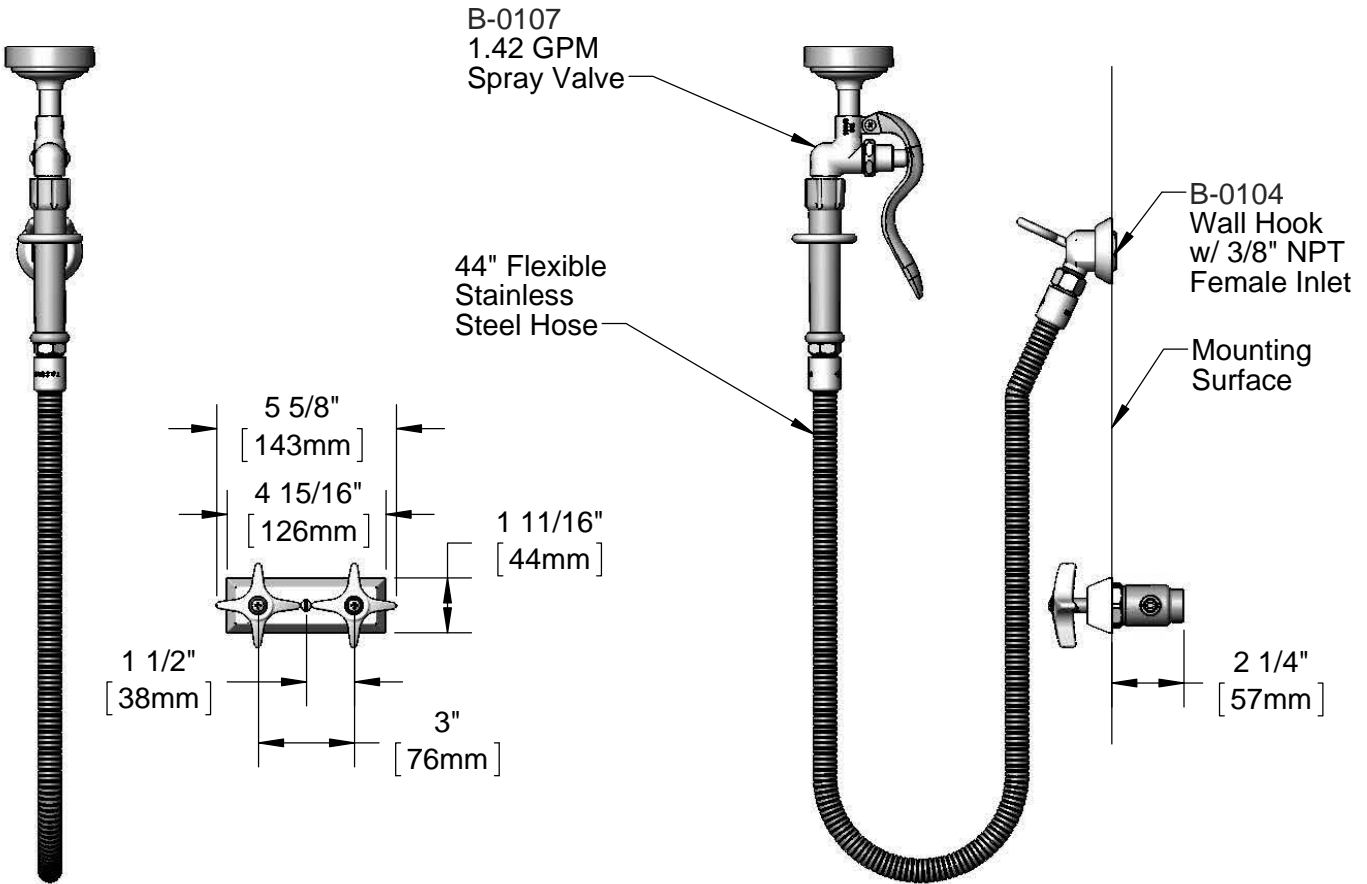
Model Specified _____ Quantity _____

Customer/Wholesaler _____

Contractor _____

Architect/Engineer _____

Note: (2) Check Valves Recommended for Cross Flow Prevention on the Cold & Hot Inlets. (Sold Separately)



Rough-In Requirement:
(2) ϕ 1 9/16" [40mm] Mounting Holes
 ϕ 1/4" [6mm] Center Mounting Screw

Product Specifications:
3" Concealed Mixing Faucet w/ Eterna Cartridges, 4-Arm Handles, 1.42 GPM Spray Valve, 44" Flexible Stainless Steel Hose & Wall Hook

Drawn KJG	Checked DMH	Approved JHB
Scale: 1:6		Date: 02/26/14



T&S BRASS AND BRONZE WORKS, INC.

2 Saddleback Cove / P.O. Box 1088
Travelers Rest, SC 29690

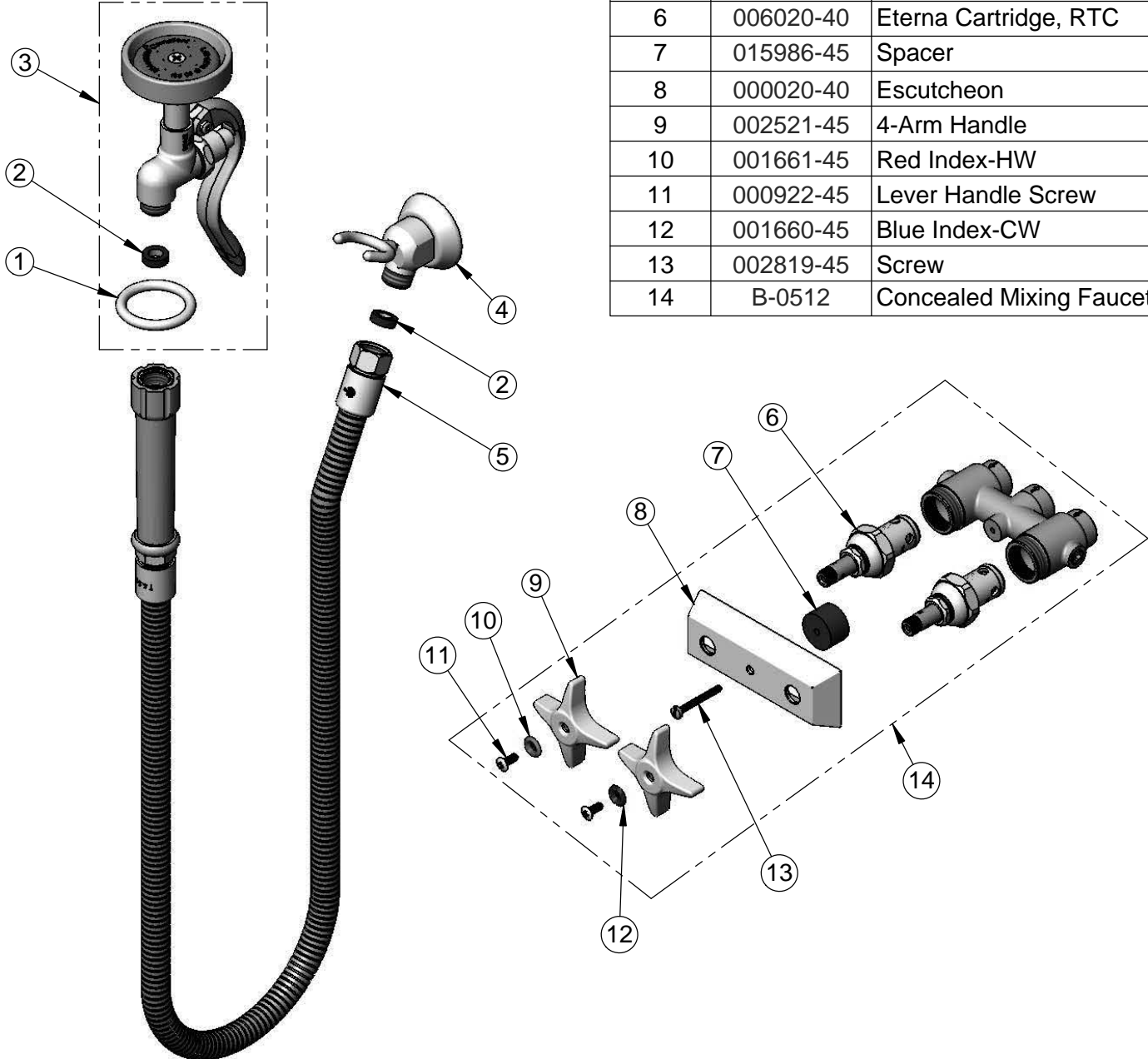
Model No.

B-0105

Item No.

Travelers Rest, SC: 800-476-4103 • Simi Valley, CA: 800-423-0150 • Fax: 864-834-3518 • www.tsbrass.com

ITEM NO.	SALES NO.	DESCRIPTION
1	000907-45	Spray Valve Hold Down Ring
2	010476-45	#27 Washer
3	B-0107	1.42 GPM Spray Valve
4	B-0104	Wall Hook, 3/4"-14UN Male Outlet
5	B-0044-H	44" Flexible Stainless Steel Hose
6	006020-40	Eterna Cartridge, RTC
7	015986-45	Spacer
8	000020-40	Escutcheon
9	002521-45	4-Arm Handle
10	001661-45	Red Index-HW
11	000922-45	Lever Handle Screw
12	001660-45	Blue Index-CW
13	002819-45	Screw
14	B-0512	Concealed Mixing Faucet



Product Specifications:

3" Concealed Mixing Faucet w/ Eterna Cartridges, 4-Arm Handles, 1.42 GPM Spray Valve, 44" Flexible Stainless Steel Hose & Wall Hook

Drawn

KJG

Checked

DMH

Approved

JHB

Scale:

NTS

Date:

02/26/14