



T&S BRASS AND BRONZE WORKS, INC.
 2 Saddleback Cove / P.O. Box 1088
 Travelers Rest, SC 29690

Model No.
B-0107-035

Item No.

Travelers Rest, SC: 800-476-4103 • Simi Valley, CA: 800-423-0150 • Fax: 864-834-3518 • www.tsbrass.com

This Space for Architect/Engineer Approval

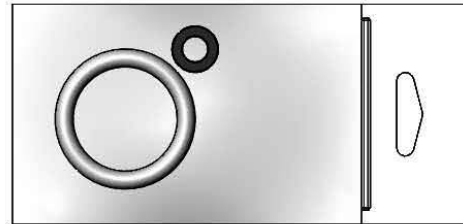
Job Name _____ Date _____

Model Specified _____ Quantity _____

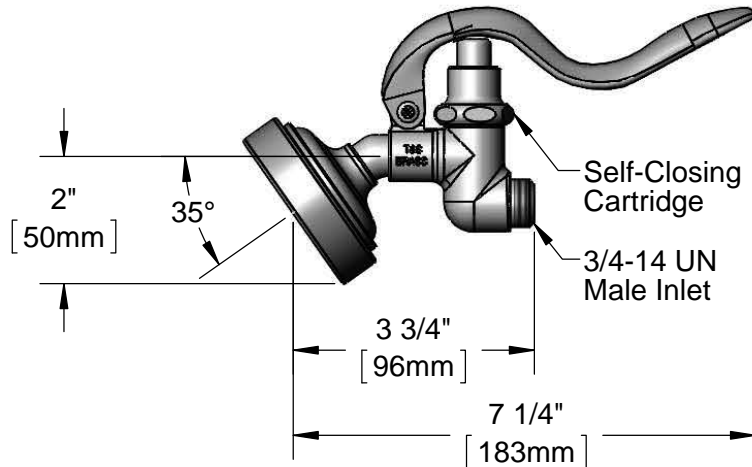
Customer/Wholesaler _____

Contractor _____

Architect/Engineer _____



Hose Washer &
 Hold Down Ring
 (Included)



Product Specifications:
**Pre-Rinse Self-Closing Angled Spray Valve w/ Rubber Bumper
 & 1.42 GPM Flow Control Spray Face**

Product Compliance:
 ASME A112.18.1 / CSA B125.1
 NSF 61 - Section 9
 NSF 372 (Low Lead Content)
 EPA Act 2005 (PRSV)



T&S BRASS AND BRONZE WORKS, INC.

2 Saddleback Cove / P.O. Box 1088
Travelers Rest, SC 29690

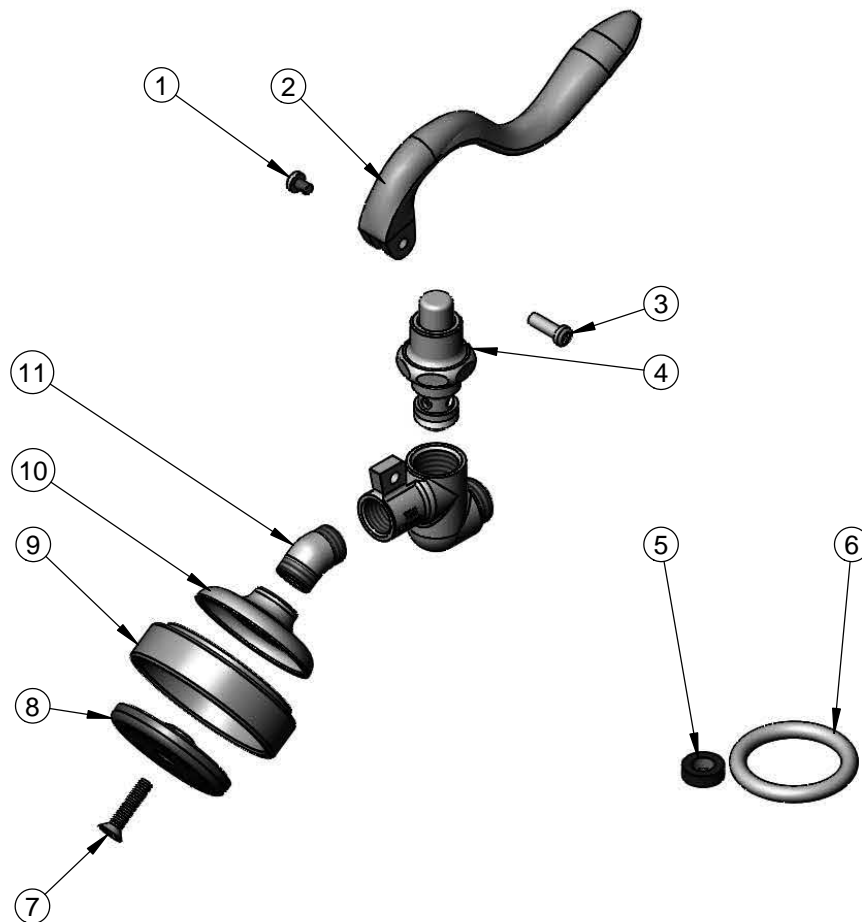
Model No.

B-0107-035

Item No.

Travelers Rest, SC: 800-476-4103 • Simi Valley, CA: 800-423-0150 • Fax: 864-834-3518 • www.tsbrass.com

ITEM NO.	SALES NO.	DESCRIPTION
1	003199-45	Spray Valve Handle Screw
2	001120-45	Spray Valve Handle
3	003198-45	Spray Valve Handle Nut
4	002856-40	Spray Valve Bonnet
5	010476-45	#27 Washer
6	000907-45	Spray Valve Hold Down Ring
7	000913-45	Screw
8	001121-45	Spray Valve Spray Face
9	007861-45	Spray Valve Sprayhead Ring
10	000019-40	Spray Valve Cup
11	0032	35° Elbow 5/8-27 UN Male x Male, Plated



Product Specifications:

Pre-Rinse Self-Closing Angled Spray Valve w/ Rubber Bumper
& 1.42 GPM Flow Control Spray Face

Product Compliance:

ASME A112.18.1 / CSA B125.1
NSF 61 - Section 9
NSF 372 (Low Lead Content)
EPA Act 2005 (PRSV)

Drawn: KJG

Checked: JRM

Approved: JHB

Date: 03/14/14

Scale: NTS

Sheet: 2 of 2