



T&S BRASS AND BRONZE WORKS, INC.

2 Saddleback Cove / P.O. Box 1088
Travelers Rest, SC 29690



REG. #A2601
ISO #9001

Model No.

B-0111-BC

Item No.

Travelers Rest, SC: 800-476-4103 Simi Valley, CA: 800-423-0150 Fax: 864-834-3518 www.tsbrass.com

This Space for Architect/Engineer Approval

Job Name _____ Date _____

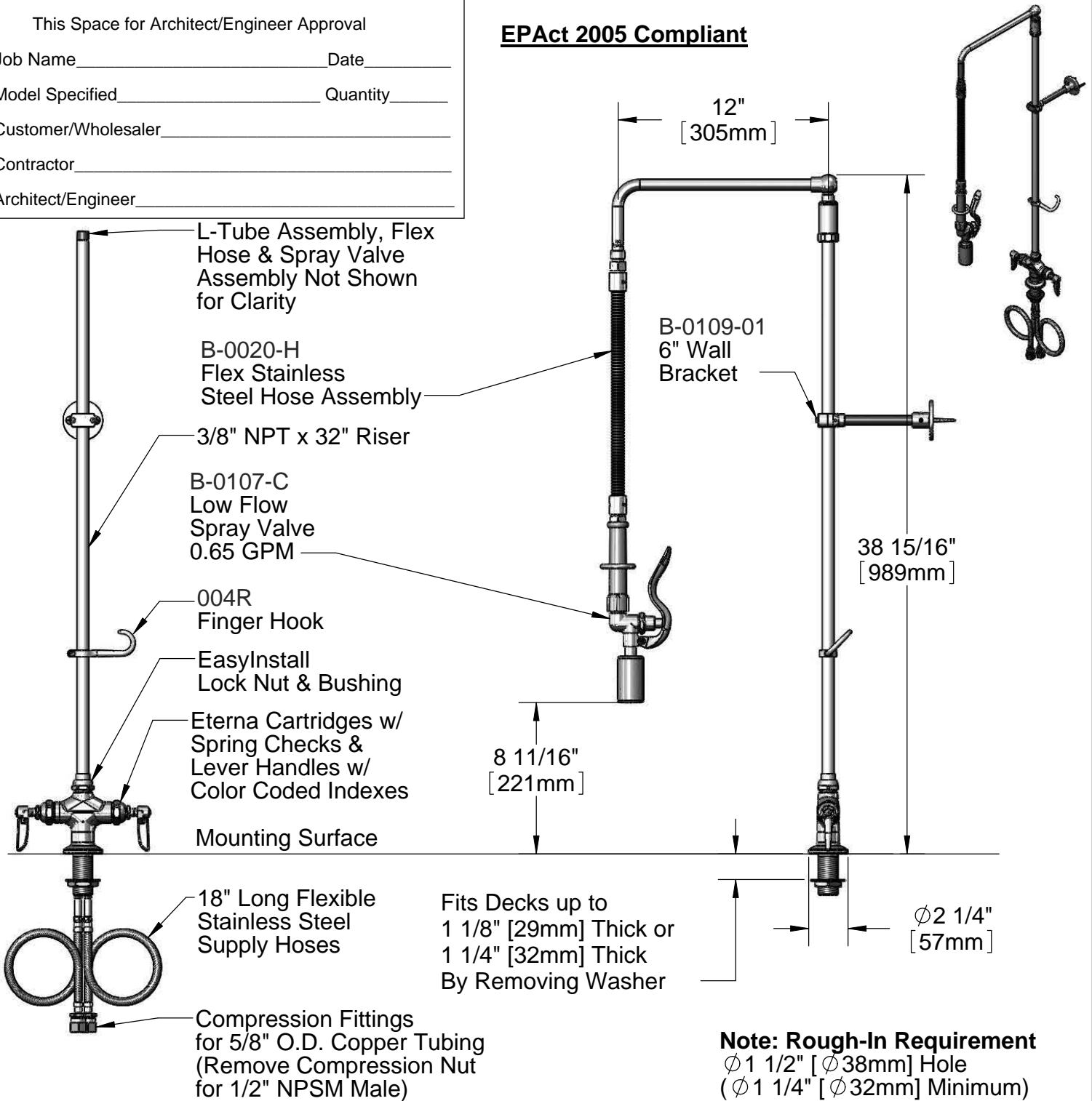
Model Specified _____ Quantity _____

Customer/Wholesaler _____

Contractor _____

Architect/Engineer _____

EPAct 2005 Compliant



Product Specifications:

Pre-Rinse Unit:
Single Deck Mount Base Mixing Faucet w/ Eterna Cartridges w/ Spring Checks, Lever Handles, Flexible Supply Hoses, 32" Riser, 20" Flex Hose, 6" Wall Bracket, & B-0107-C Spray Valve

Drawn KJG	Checked DMH	Approved JHB
Scale: 1:8		Date: 04/04/11



T&S BRASS AND BRONZE WORKS, INC.

2 Saddleback Cove / P.O. Box 1088
Travelers Rest, SC 29690



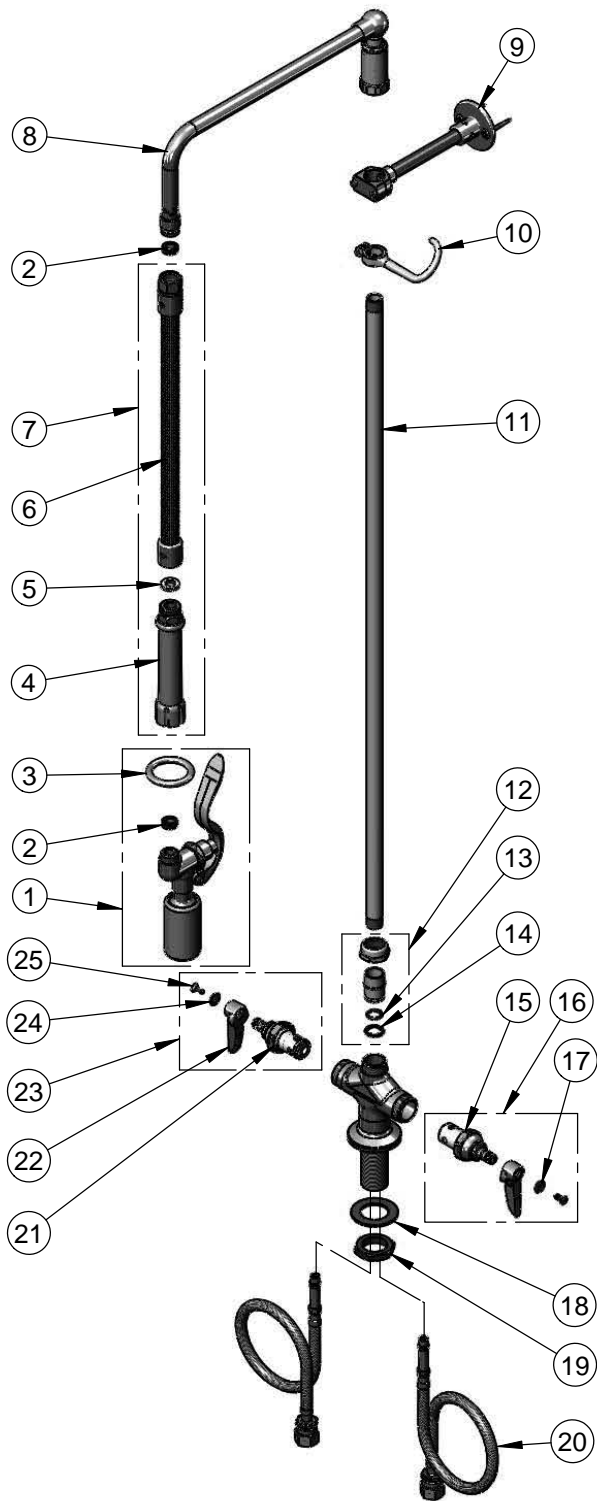
REG. #A2601
ISO #9001

Model No.

B-0111-BC

Item No.

Travelers Rest, SC: 800-476-4103 Simi Valley, CA: 800-423-0150 Fax: 864-834-3518 www.tsbrass.com



ITEM NO.	SALES NO.	DESCRIPTION
1	B-0107-C	Low Flow Spray Valve
2	010476-45	#27 Washer
3	000907-45	Spray Valve Hold Down Ring
4	002987-40	Grip Handle Assembly w/ Washers
5	001014-45	Washer, B-0100 Hose Barrel
6	B-0020-H2A	Flex Hose Assembly Less Handle
7	B-0020-H	20" Flex Hose Assembly
8	002882-40	L-Tube Assembly, 12"
9	B-0109-01	6" Wall Bracket Assembly
10	004R	Finger Hook Assembly
11	000376-40	3/8" NPT x 32" Length Riser
12	EZ-K	EasyInstall Kit: Bushing, O-Ring, Lock Washer & Loctite 222
13	001065-45	O-Ring
14	014200-45	Star Washer, Anti-Rotation
15	012442-40	Cold Eterna Spindle Assembly w/ Spring Check
16	002711-40	Cold Eterna Spindle Assembly w/ Spring Check, Handle, Index & Screw
17	001660-45	Blue Index-CW
18	002290-45	Lock Washer
19	000965-45	Lock Nut
20	012534-45	Flexible Connector Hose (2)
21	012443-40	Hot Eterna Spindle Assembly w/ Spring Check
22	001638-45	Lever Handle
23	002712-40	Hot Eterna Spindle Assembly w/ Spring Check, Handle, Index & Screw
24	001661-45	Red Index-HW
25	000922-45	Lever Handle Screw

Product Specifications:

Pre-Rinse Unit:
Single Deck Mount Base Mixing Faucet w/ Eterna Cartridges w/ Spring Checks, Lever Handles, Flexible Supply Hoses, 32" Riser, 20" Flex Hose, 6" Wall Bracket, & B-0107-C Spray Valve

Drawn KJG	Checked DMH	Approved JHB
Scale: NTS		Date: 04/04/11