



# T&S BRASS AND BRONZE WORKS, INC.

2 Saddleback Cove / P.O. Box 1088  
Travelers Rest, SC 29690

Model No.

**B-0111**

Item No.

Travelers Rest, SC: 800-476-4103 • Simi Valley, CA: 800-423-0150 • Fax: 864-834-3518 • www.tsbrass.com

This Space for Architect/Engineer Approval

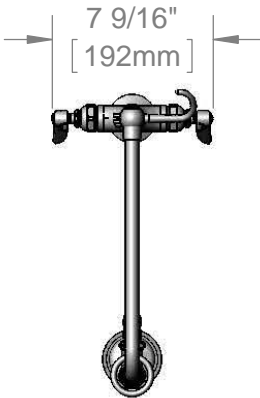
Job Name \_\_\_\_\_ Date \_\_\_\_\_

Model Specified \_\_\_\_\_ Quantity \_\_\_\_\_

Customer/Wholesaler \_\_\_\_\_

Contractor \_\_\_\_\_

Architect/Engineer \_\_\_\_\_



Items Not Shown  
For Clarity

20" Flexible Stainless  
Steel Hose w/ Spray Valve

3/8" NPT x 32" Riser

B-0107  
1.42 GPM  
Spray Valve

Finger Hook

EasyInstall  
Lock Nut &  
Bushing

Eterna Cartridges w/  
Spring Checks &  
Lever Handles w/  
Color Coded Indexes

Mounting Surface

2 5/16"  
[58mm]

18" Flexible Stainless  
Steel Supply Hoses

Compression Fittings  
For 5/8" O.D. Copper Tubing  
(Remove Compression Nut  
For 1/2" NPSM Male Thread)

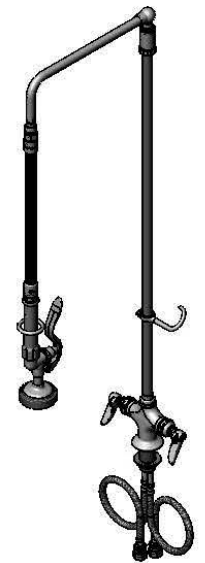
9 9/16"  
[244mm]

11 5/16"  
[287mm]

1 3/8"  
[35mm]  
Maximum  
Thickness

38 3/4"  
[984mm]

Ø 2 1/4" [57mm]  
Deck Flange



Rough-In Requirement:  
Ø 1 1/2" [38mm] Mounting Hole

**Product Specifications:**

Pre-Rinse Unit: EasyInstall Single Hole Deck Mount Mixing Faucet, Eterna Cartridges w/ Spring Checks, Lever Handles, 12" L-Tube, 20" Flexible Stainless Steel Hose, 1.42 GPM Spray Valve & Flexible Stainless Steel Supply Hoses

**Product Compliance:**

ASME A112.18.1 / CSA B125.1  
NSF 61 - Section 9  
NSF 372 (Low Lead Content)  
EPA Act 2005 (PRSV)



# T&S BRASS AND BRONZE WORKS, INC.

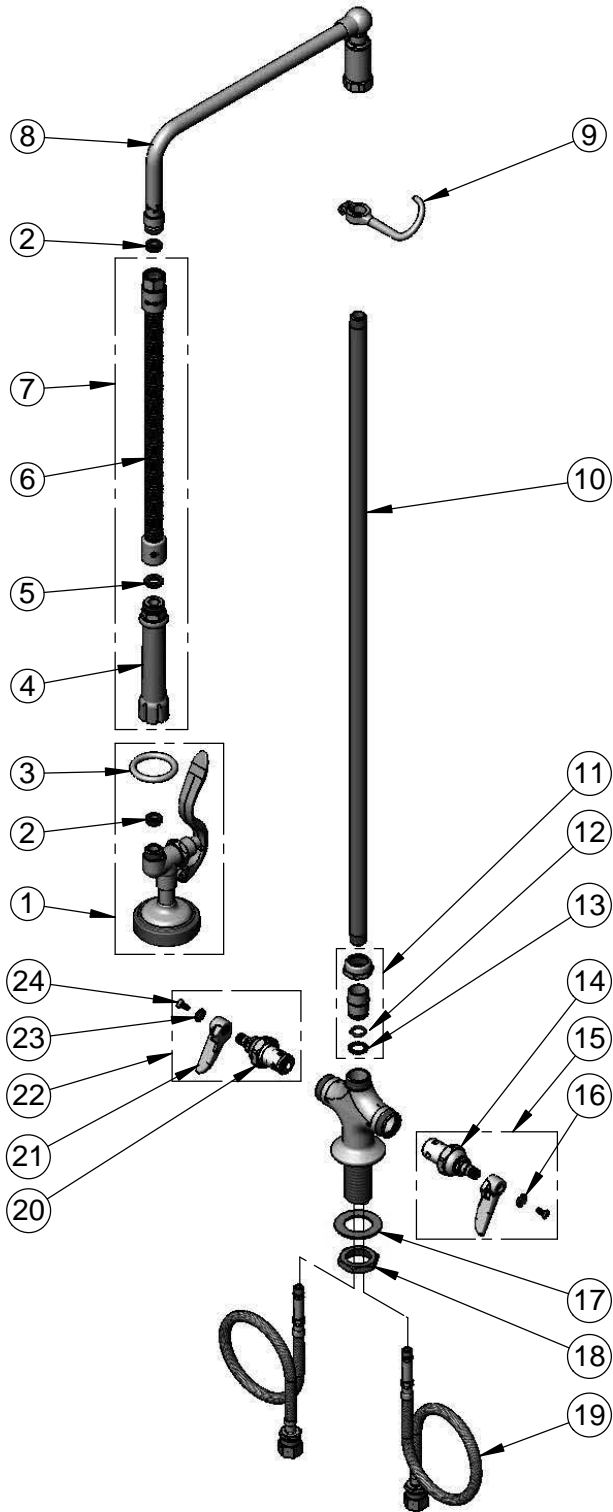
2 Saddleback Cove / P.O. Box 1088  
Travelers Rest, SC 29690

Model No.

**B-0111**

Item No.

Travelers Rest, SC: 800-476-4103 • Simi Valley, CA: 800-423-0150 • Fax: 864-834-3518 • www.tsbrass.com



ITEM NO.	SALES NO.	DESCRIPTION
1	B-0107	1.42 GPM Spray Valve
2	010476-45	#27 Washer
3	000907-45	Spray Valve Hold Down Ring
4	002987-40	Grip Handle
5	001014-45	Washer, B-0100 Hose Barrel
6	B-0020-H2A	20" Flexible Stainless Steel Hose, Less Handle
7	B-0020-H	20" Flexible Stainless Steel Hose
8	002882-40	12" L-Tube
9	004R	Finger Hook
10	000376-40	3/8" NPT x 32" Riser
11	EZ-K	EasyInstall Kit: Nut, Bushing, O-Ring & Lock Washer
12	001065-45	O-Ring
13	014200-45	Star Washer, Anti-Rotation
14	012442-40	Eterna Cartridge, LTC w/ Spring Check
15	002711-40	Eterna Cartridge, LTC w/ Spring Check, Handle, Index & Screw
16	001660-45	Blue Index-CW
17	002290-45	Lock Washer
18	000965-45	Lock Nut
19	012534-45	18" Flexible Supply Hose (2)
20	012443-40	Eterna Cartridge, RTC w/ Spring Check
21	001638-45	Lever Handle
22	002712-40	Eterna Cartridge, RTC w/ Spring Check, Handle, Index & Screw
23	001661-45	Red Index-HW
24	000922-45	Lever Handle Screw

**Product Specifications:**

Pre-Rinse Unit: EasyInstall Single Hole Deck Mount Mixing Faucet, Eterna Cartridges w/ Spring Checks, Lever Handles, 12" L-Tube, 20" Flexible Stainless Steel Hose, 1.42 GPM Spray Valve & Flexible Stainless Steel Supply Hoses

**Product Compliance:**

ASME A112.18.1 / CSA B125.1  
NSF 61 - Section 9  
NSF 372 (Low Lead Content)  
EPA Act 2005 (PRSV)