



T&S BRASS AND BRONZE WORKS, INC.

2 Saddleback Cove / P.O. Box 1088
Travelers Rest, SC 29690

Model No.

B-0113-12-CRVB

Item No.

Travelers Rest, SC: 800-476-4103 • Simi Valley, CA: 800-423-0150 • Fax: 864-834-3518 • www.tsbrass.com

This Space for Architect/Engineer Approval

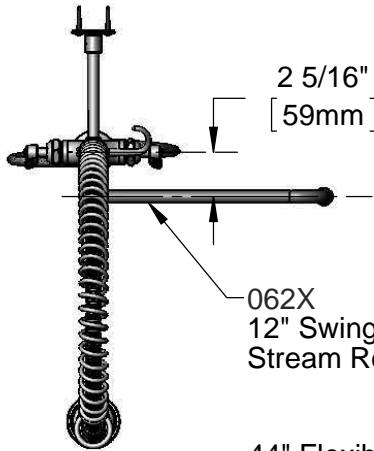
Job Name _____ Date _____

Model Specified _____ Quantity _____

Customer/Wholesaler _____

Contractor _____

Architect/Engineer _____



2 5/16"
[59mm]

062X
12" Swing Nozzle w/
Stream Regulator Outlet

44" Flexible Stainless Steel
Hose w/ Overhead Spring
& Spray Valve

Items Not Shown
For Clarity

Finger Hook

3/8" NPT x 20" Riser

B-0107
Spray Valve
1.42 GPM

18 5/16"
[465mm]

15 11/16"
[398mm]

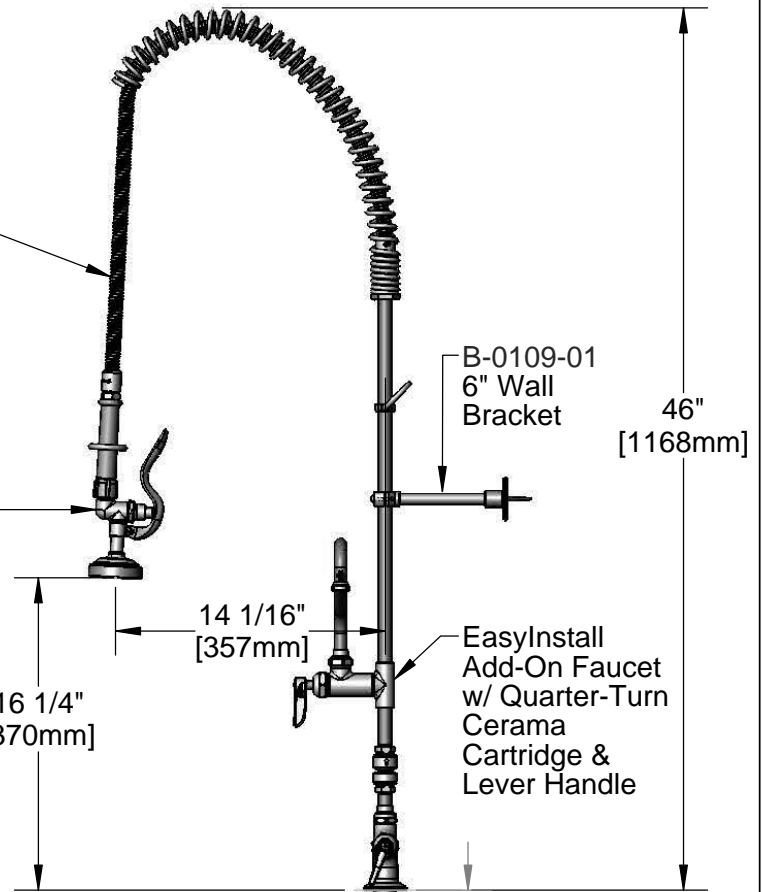
B-0970-FEZ
Vacuum
Breaker

Quarter-Turn Cerama Cartridges
w/ Check Valves & Lever Handles
w/ Color Coded Indexes

18" Flexible Stainless Steel
Supply Hoses

Compression Fittings for 5/8" O.D. Copper
Tubing (Remove Compression Nut
for 1/2" NPSM Male)

Rough-In Requirement:
Ø 1 1/2" [Ø 38mm] Mounting Hole



B-0109-01
6" Wall
Bracket

46"
[1168mm]

14 1/16"
[357mm]

EasyInstall
Add-On Faucet
w/ Quarter-Turn
Cerama
Cartridge &
Lever Handle

Ø 2 1/4"
[57mm]

1 1/4"
[32mm]
Maximum
Thickness

Product Specifications:

EasyInstall Pre-Rinse Unit: Single Hole Deck Mount Faucet, Quarter-Turn Cerama Cartridges w/ Check Valves, Lever Handles, Add-On Faucet w/ 12" Swing Nozzle, 20" Riser, 44" Flexible Stainless Steel Hose, 1.42 GPM Spray Valve, Flexible Supply Hoses, Vacuum Breaker and 6" Wall Bracket

Product Compliance:

ASME A112.18.1 / CSA B125.1
NSF 61 - Section 9
NSF 372 (Low Lead Content)
EPA Act 2005 (PRSV)
CSA B64.8 (VB)



T&S BRASS AND BRONZE WORKS, INC.

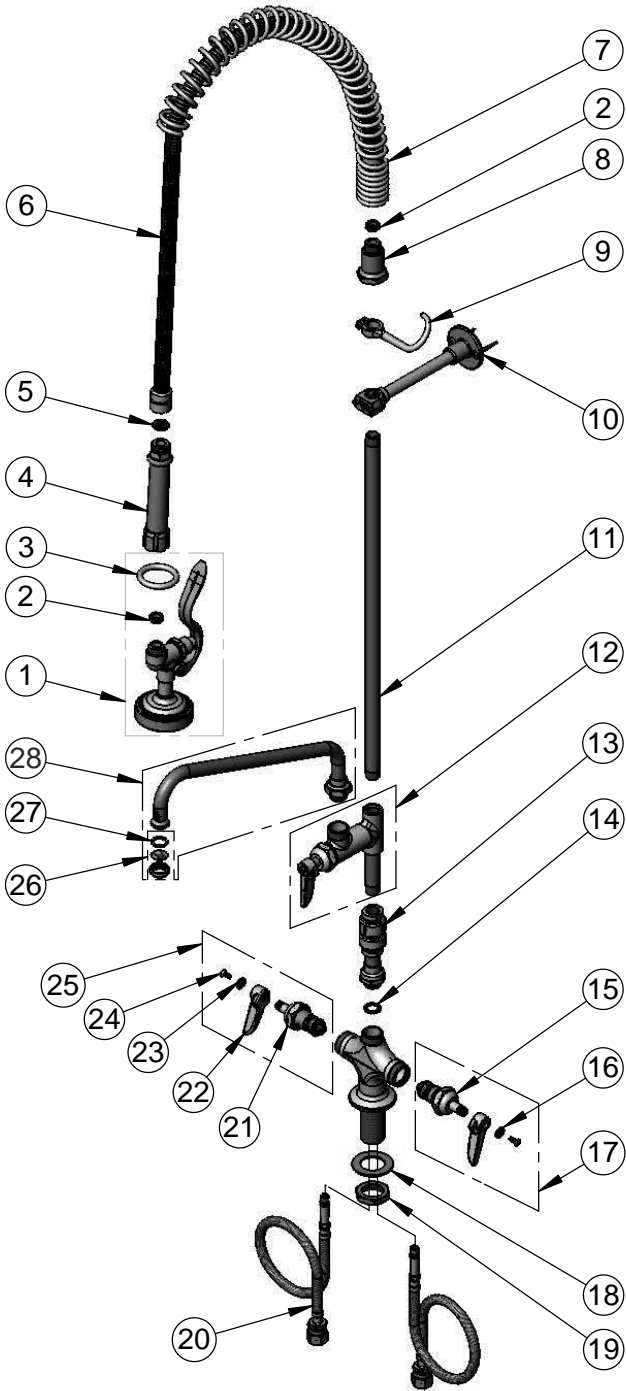
2 Saddleback Cove / P.O. Box 1088
Travelers Rest, SC 29690

Model No.

B-0113-12-CRVB

Item No.

Travelers Rest, SC: 800-476-4103 • Simi Valley, CA: 800-423-0150 • Fax: 864-834-3518 • www.tsbrass.com



ITEM NO.	SALES NO.	DESCRIPTION
1	B-0107	1.42 GPM Spray Valve
2	010476-45	#27 Washer
3	000907-45	Spray Valve Hold Down Ring
4	002987-40	Grey Handle Grip
5	001014-45	Washer, B-0100 Hose Barrel
6	B-0044-H2A	44" Flexible Stainless Steel Hose, Less Handle
7	000888-45	EasyInstall Overhead Spring
8	000821-40	Spring Body
9	004R	Finger Hook
10	B-0109-01	6" Wall Bracket
11	000370-40	3/8" NPT x 20" Riser
12	B-0155-CR-LN	Add-On Faucet w/ Cerama, Less Nozzle
13	B-0970-FEZ	EasyInstall 3/4" NPT Vacuum Breaker
14	014200-45	Star Washer, Anti-Rotation
15	012395-25	Quarter-Turn Cerama Cartridge, LTC w/ Check Valve
16	001660-45	Blue Index-CW
17	012447-25	Quarter-Turn Cerama Cartridge, LTC w/ Check Valve, Handle, Index & Screw
18	002290-45	Lock Washer
19	000965-45	Lock Nut
20	012534-45	18" Flexible Supply Hose (2)
21	012394-25	Quarter-Turn Cerama Cartridge, RTC w/ Check Valve
22	001638-45	Lever Handle
23	001661-45	Red Index-HW
24	000922-45	Lever Handle Screw
25	012446-25	Quarter-Turn Cerama Cartridge, RTC w/ Check Valve, Handle, Index & Screw
26	B-PT	Stream Regulator Outlet
27	001048-45	Nozzle Tip Washer
28	062X	12" Swing Nozzle

Product Specifications:

EasyInstall Pre-Rinse Unit: Single Hole Deck Mount Faucet, Quarter-Turn Cerama Cartridges w/ Check Valves, Lever Handles, Add-On Faucet w/ 12" Swing Nozzle, 20" Riser, 44" Flexible Stainless Steel Hose, 1.42 GPM Spray Valve, Flexible Supply Hoses, Vacuum Breaker and 6" Wall Bracket

Product Compliance:

ASME A112.18.1 / CSA B125.1
NSF 61 - Section 9
NSF 372 (Low Lead Content)
EPA Act 2005 (PRSV)
CSA B64.8 (VB)