



**T&S BRASS AND BRONZE WORKS, INC.**  
 2 SADDLEBACK COVE / P.O. BOX 1088 / TRAVELERS REST, SC 29690  
 PHONE 800-476-4103 - FAX 864- 834-3518

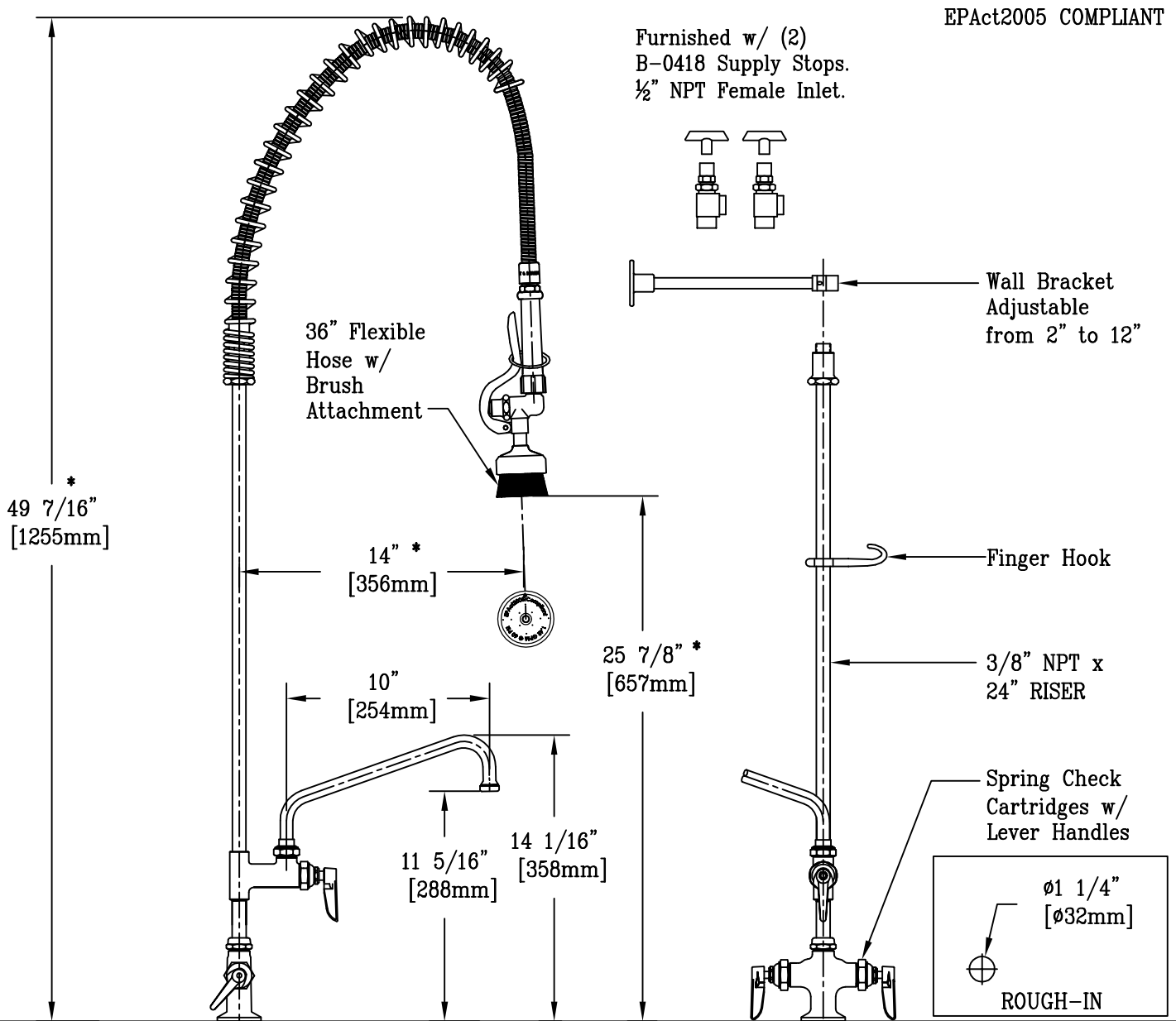


Model No.  
 B-0113-ADF10-BR  
**RELIABILITY  
 BUILT IN**

Job Name:

Architect/Engineer Approval:

Notes:



Furnished w/ (2) Optional 013121-45 36" Long Flexible Supply Hoses. 1/2" NPT Male x 1/2" NPSM Female. Use in tandem w/ 20" Supplies on Base

20" Long Flexible Supplies. Use in tandem w/ 36" Supply Hoses

\* DIMENSIONS MAY VARY ± 1/2" ON EACH INSTALLATION

Product Description: EASY INSTALL PRE-RINSE UNIT: SINGLE HOLE DECK MOUNT, FLEX. SUPPLY HOSES, ADD-ON-FCT, 10" SWING NOZZLE, 36" ST.STEEL HOSE, SPRAY VALVE, BRUSH ATTACHMENT, 12" WALL BRACKET	Drawn:	Checked:	Scale:
	WJS	JRM	1 : 8
	Approved:	Date:	
JHB	4/26/06		