



T&S BRASS AND BRONZE WORKS, INC.
 2 SADDLEBACK COVE / P.O. BOX 1088 / TRAVELERS REST, SC 29690
 PHONE 800-476-4103 - FAX 864- 834-3518

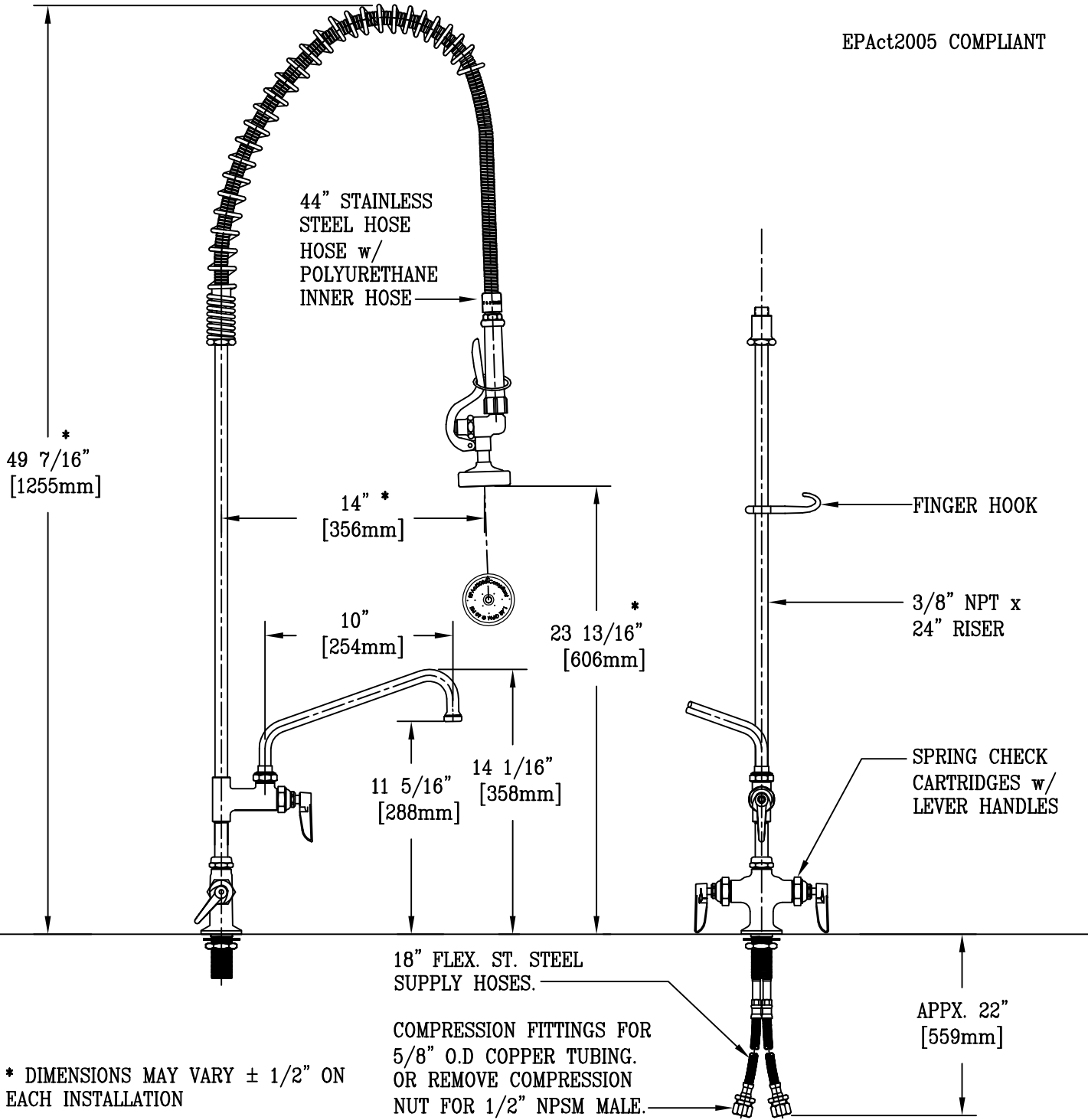


Model No.
B-0113-ADF10
RELIABILITY BUILT IN

Job Name:

Architect/Engineer Approval:

Notes:



Product Description:
 EASY INSTALL PRE-RINSE UNIT:
 SINGLE DECK MOUNT BASE MIXING FAUCET, FLEXIBLE SUPPLIES, ADD ON FCT.,
 10" SWING NOZZLE, SUPPORT SPRING, 44" FLEX HOSE, SPRAY VALVE

Drawn: RJK	Checked JRM	Scale: 1 : 8
Approved JHB	Date: 01/04/06	