



T&S BRASS AND BRONZE WORKS, INC.

2 Saddleback Cove / P.O. Box 1088
Travelers Rest, SC 29690

Model No.

B-0113-B-SWV

Item No.

Travelers Rest, SC: 800-476-4103 • Simi Valley, CA: 800-423-0150 • Fax: 864-834-3518 • www.tsbrass.com

This Space for Architect/Engineer Approval

Job Name _____ Date _____

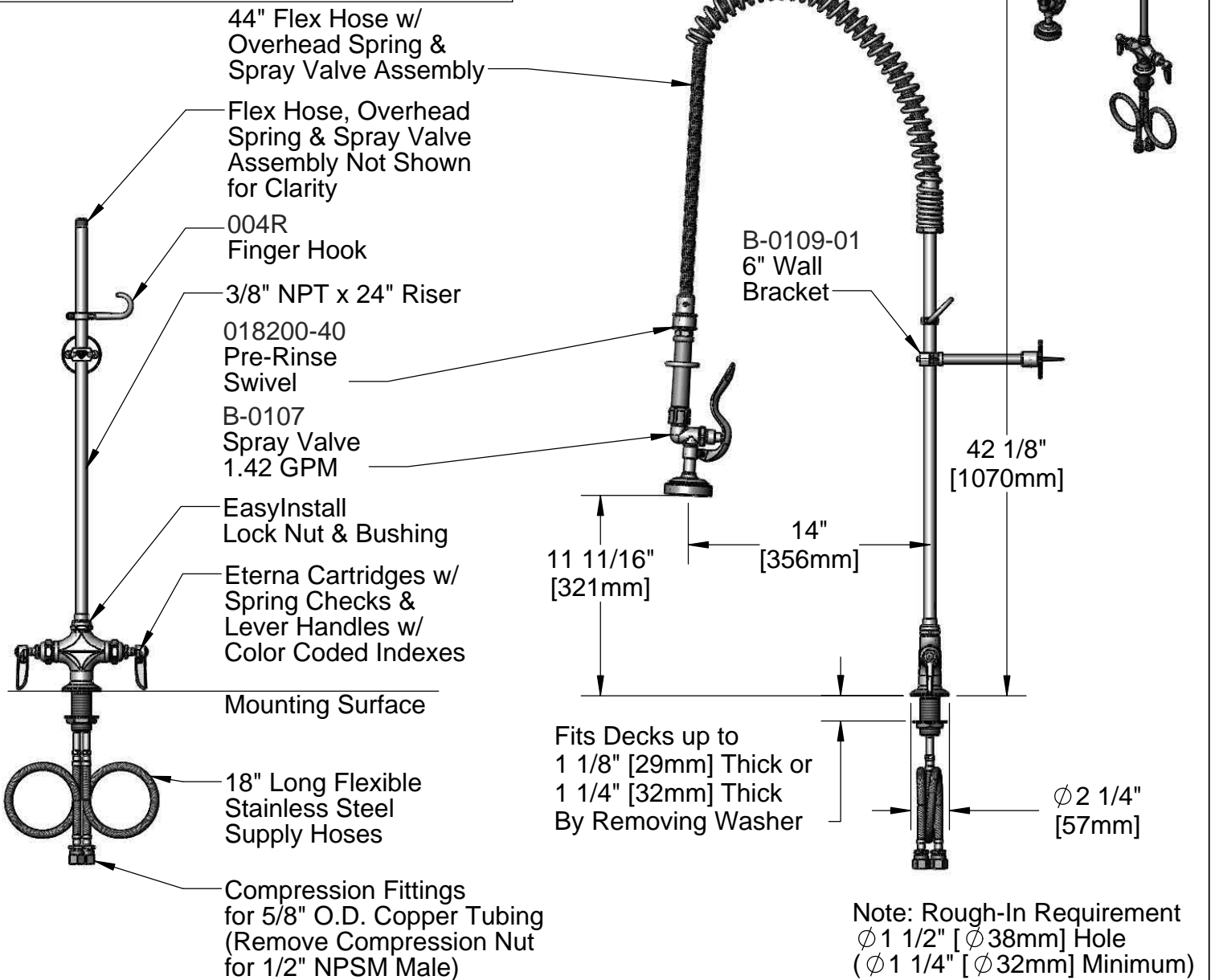
Model Specified _____ Quantity _____

Customer/Wholesaler _____

Contractor _____

Architect/Engineer _____

EPAct 2005 Compliant



Product Specifications:

EasyInstall Pre-Rinse Unit:
Single Deck Mount Faucet, Eterna Cartridges w/ Spring Checks, Flex Supply Hoses, 24" Riser, Overhead Spring, 44" Flex Hose, 6" Wall Bracket & B-0107 Spray Valve w/ Swivel

Drawn	Checked	Approved
JRM	DHL	JHB
Scale:	1:9	Date:
		02/13/12



T&S BRASS AND BRONZE WORKS, INC.

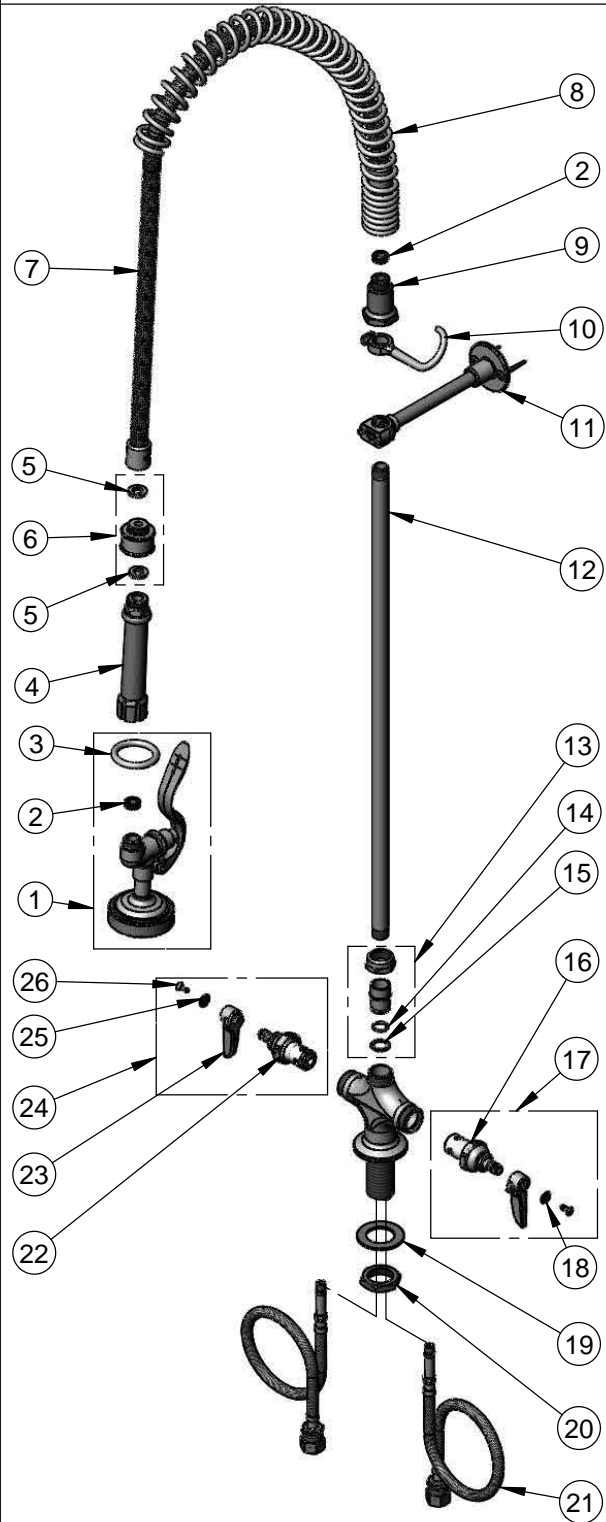
2 Saddleback Cove / P.O. Box 1088
Travelers Rest, SC 29690

Model No.

B-0113-B-SWV

Item No.

Travelers Rest, SC: 800-476-4103 • Simi Valley, CA: 800-423-0150 • Fax: 864-834-3518 • www.tsbrass.com



ITEM NO.	SALES NO.	DESCRIPTION
1	B-0107	Spray Valve Assembly w/ Hold Down Ring & Washer
2	010476-45	#27 Washer
3	000907-45	Spray Valve Hold Down Ring
4	002987-40	Grey Handle Assembly
5	001014-45	Washer, B-0100 Hose Barrel
6	018200-40	Pre-Rinse Swivel
7	B-0044-H2A	44" Flex Hose Assembly Less Handle
8	000888-45	EasyInstall Overhead Spring
9	000821-40	Spring Body
10	004R	Finger Hook Assembly
11	B-0109-01	B-109 Wall Bracket Body
12	000372-40	Nipple, 3/8 x 24"
13	EZ-K	EasyInstall Kit: Bushing, O-Ring, Lock Washer & Loctite 222
14	001065-45	O-Ring
15	014200-45	Star Washer, Anti-Rotation
16	012442-40	Eterna Cartridge (LTC) w/ Spring Check
17	002711-40	Eterna Cartridge (LTC) w/ Spring Check, Handle, Index & Screw
18	001660-45	Blue Index-CW
19	002290-45	Lock Washer
20	000965-45	Lock Nut
21	012534-45	Flexible Connector Hose (2)
22	012443-40	Eterna Cartridge (RTC) w/ Spring Check
23	001638-45	Lever Handle
24	002712-40	Hot Eterna w/ Spring Check, Handle, Index & Screw
25	001661-45	Red Index-HW
26	000922-45	Lever Handle Screw

Product Specifications:

EasyInstall Pre-Rinse Unit:
Single Deck Mount Faucet, Eterna Cartridges w/ Spring Checks,
Flex Supply Hoses, 24" Riser, Overhead Spring, 44" Flex Hose,
6" Wall Bracket & B-0107 Spray Valve w/ Swivel

Drawn

JRM

Checked

DHL

Approved

JHB

Scale:

NTS

Date:

02/13/12