



T&S BRASS AND BRONZE WORKS, INC.

2 Saddleback Cove / P.O. Box 1088
Travelers Rest, SC 29690

Model No.

B-0113-BJ-SWV-T

Item No.

Travelers Rest, SC: 800-476-4103 • Simi Valley, CA: 800-423-0150 • Fax: 864-834-3518 • www.tsbrass.com

This Space for Architect/Engineer Approval

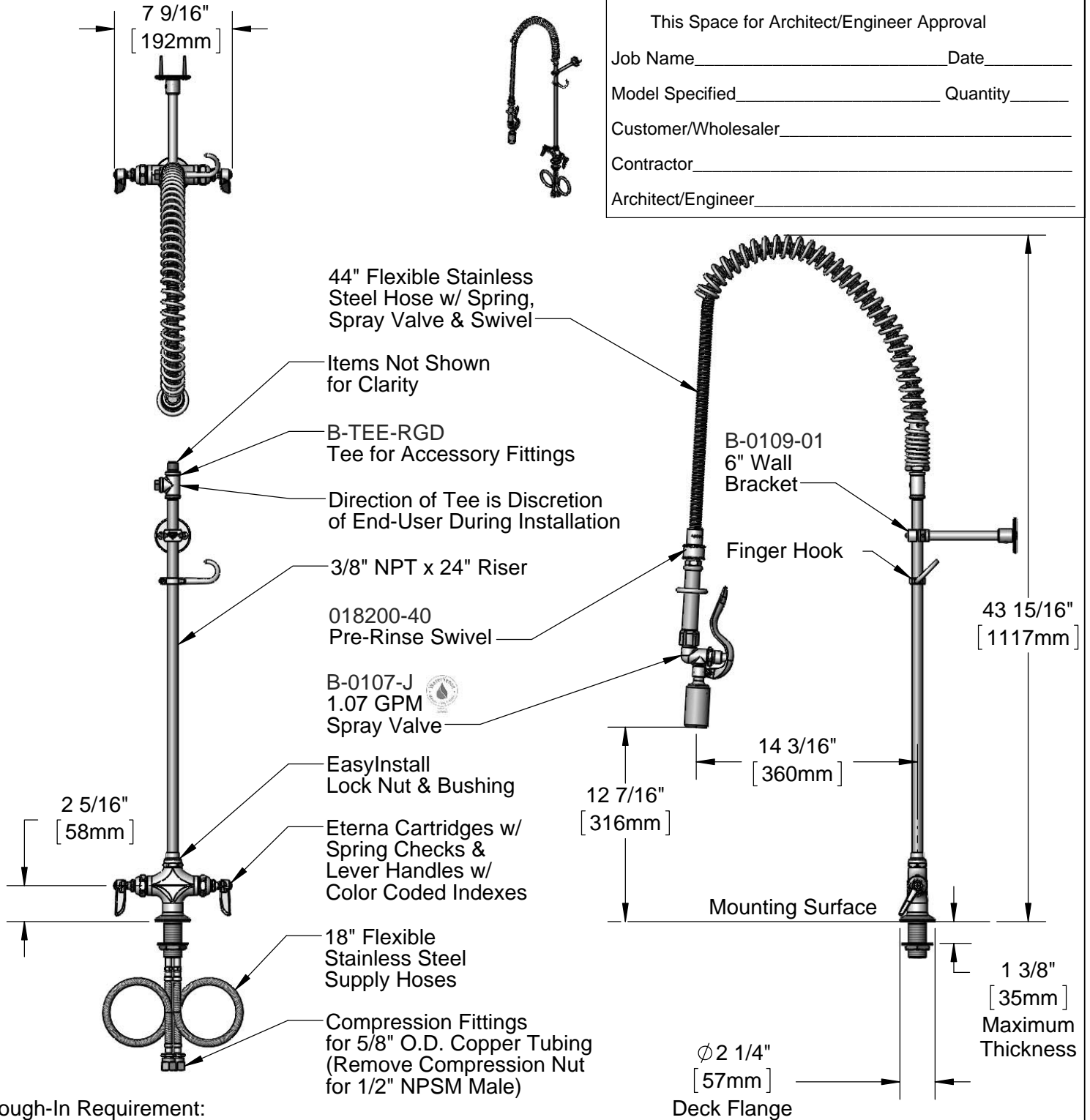
Job Name _____ Date _____

Model Specified _____ Quantity _____

Customer/Wholesaler _____

Contractor _____

Architect/Engineer _____



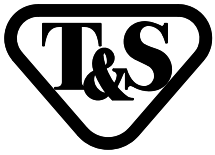
Rough-In Requirement:
Ø 1 1/2" [38mm] Mounting Hole

Product Specifications:

EasyInstall Pre-Rinse Unit:
Single Hole Deck Mount Mixing Faucet, Eterna Cartridges w/ Spring Checks, Lever Handles, 44" Flexible Stainless Steel Hose, 1.07 GPM Spray Valve w/ Swivel, 6" Wall Bracket, Accessory Fitting Tee & Flexible Stainless Steel Supply Hoses

Product Compliance:

ASME A112.18.1 / CSA B125.1
NSF 61 - Section 9
NSF 372 (Low Lead Content)
EPA Act 2005 (PRSV)
EPA WaterSense (PRSV)



T&S BRASS AND BRONZE WORKS, INC.

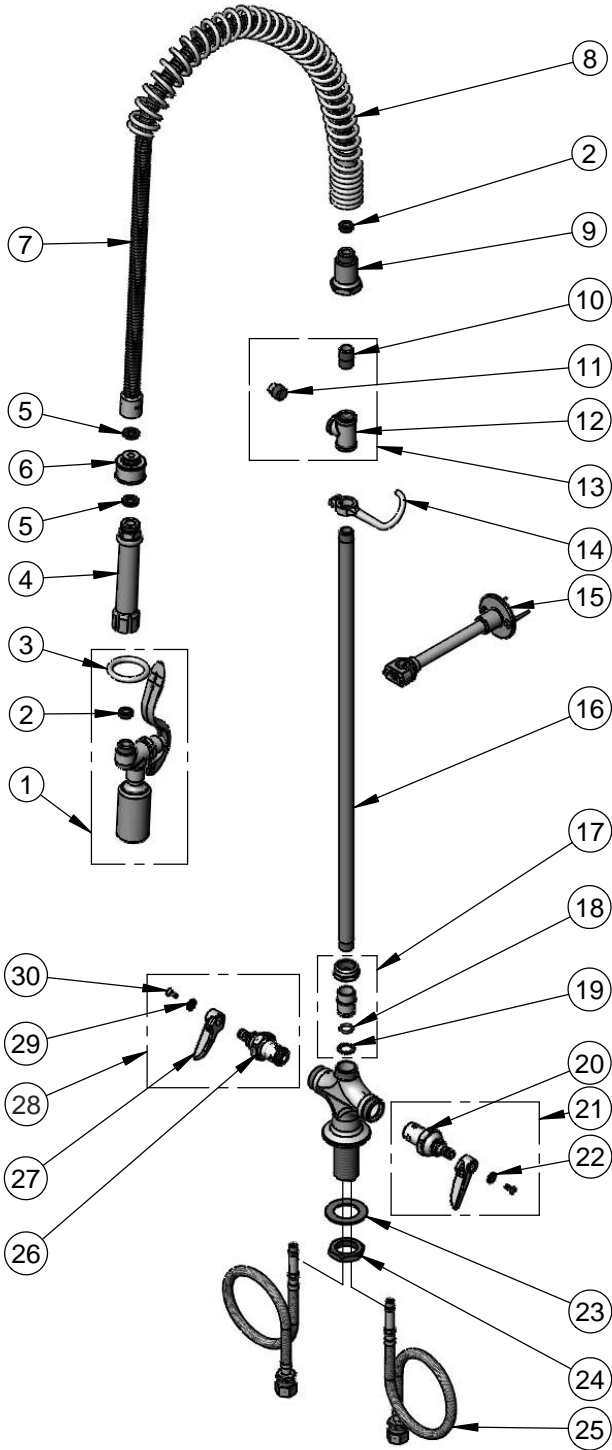
2 Saddleback Cove / P.O. Box 1088
Travelers Rest, SC 29690

Model No.

B-0113-BJ-SWV-T

Item No.

Travelers Rest, SC: 800-476-4103 • Simi Valley, CA: 800-423-0150 • Fax: 864-834-3518 • www.tsbrass.com



ITEM NO.	SALES NO.	DESCRIPTION
1	B-0107-J	1.07 GPM Spray Valve
2	010476-45	#27 Washer
3	000907-45	Spray Valve Hold Down Ring
4	002987-40	Handle Grip
5	001014-45	Washer, B-0100 Hose Barrel
6	018200-40	Pre-Rinse Swivel
7	B-0044-H2A	44" Flexible Stainless Steel Hose, Less Handle
8	000888-45	EasyInstall Overhead Spring
9	000821-40	Spring Body
10	002535-25	3/8" Close Nipple
11	002369-25	3/8" NPT Plug
12	001614-40	3/8" NPT Tee
13	B-TEE-RGD	Rigid Tee
14	004R	Finger Hook
15	B-0109-01	6" Wall Bracket
16	000372-40	3/8" NPT x 24" Riser
17	EZ-K	EasyInstall Kit: Bushing, O-Ring, Lock Washer & Loctite 222
18	001065-45	O-Ring
19	014200-45	Star Washer, Anti-Rotation
20	012442-40	Eterna Cartridge, LTC w/ Spring Check
21	002711-40	Eterna Cartridge, LTC w/ Spring Check, Handle, Index & Screw
22	001660-45	Blue Index-CW
23	002290-45	Lock Washer
24	000965-45	Lock Nut
25	012534-45	18" Flexible Supply Hose (2)
26	012443-40	Eterna Cartridge, RTC w/ Spring Check
27	001638-45	Lever Handle
28	002712-40	Eterna Cartridge, RTC w/ Spring Check, Handle, Index & Screw
29	001661-45	Red Index-HW
30	000922-45	Lever Handle Screw

Product Specifications:

EasyInstall Pre-Rinse Unit:
Single Hole Deck Mount Mixing Faucet, Eterna Cartridges w/ Spring Checks,
Lever Handles, 44" Flexible Stainless Steel Hose, 1.07 GPM Spray Valve
w/ Swivel, 6" Wall Bracket, Accessory Fitting Tee
& Flexible Stainless Steel Supply Hoses

Product Compliance:

ASME A112.18.1 / CSA B125.1
NSF 61 - Section 9
NSF 372 (Low Lead Content)
EPA Act 2005 (PRSV)
EPA WaterSense (PRSV)