



T&S BRASS AND BRONZE WORKS, INC.
 2 Saddleback Cove / P.O. Box 1088
 Travelers Rest, SC 29690

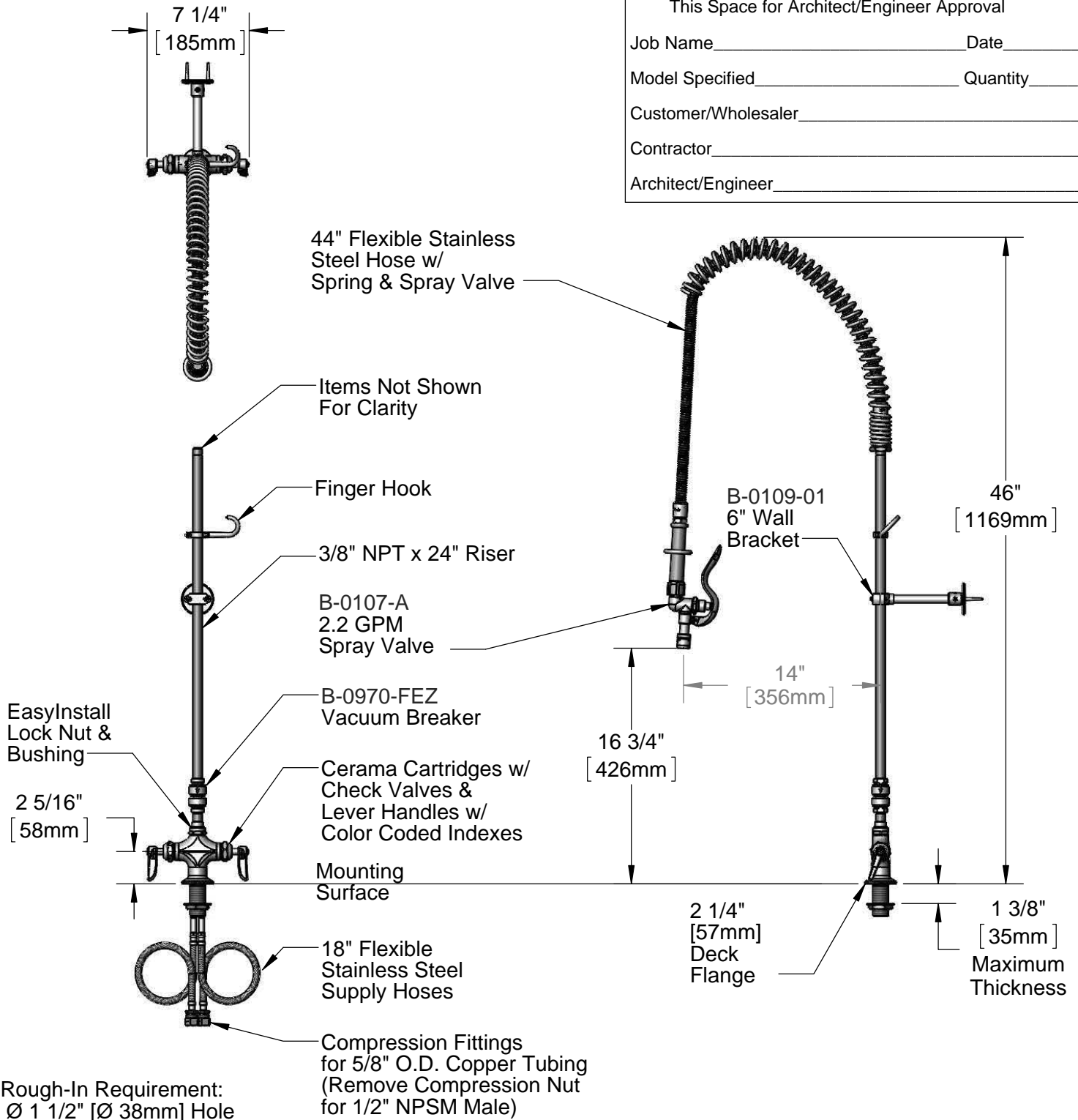
Model No.
B-0113-CR-BVB-A

Item No.

Travelers Rest, SC: 800-476-4103 • Simi Valley, CA: 800-423-0150 • Fax: 864-834-3518 • www.tsbrass.com

This Space for Architect/Engineer Approval

Job Name _____ Date _____
 Model Specified _____ Quantity _____
 Customer/Wholesaler _____
 Contractor _____
 Architect/Engineer _____



Product Specifications:
 Single Deck Mount Vertical Glass Filler, Cerama Cartridges w/ Check Valves, EasyInstall Vacuum Breaker, Flexible Supply Hoses, 24" Riser, 44" Flexible Stainless Steel Hose w/ 2.2 GPM Aerated Spray Valve, 6" Wall Bracket & Flexible Stainless Steel Supply Hoses

Product Compliance:
 ASME A112.18.1 / CSA B125.1
 NSF 61 - Section 9
 NSF 372 (Low Lead Content)
 EPA 2005 Non-Compliant (PRSV)



T&S BRASS AND BRONZE WORKS, INC.

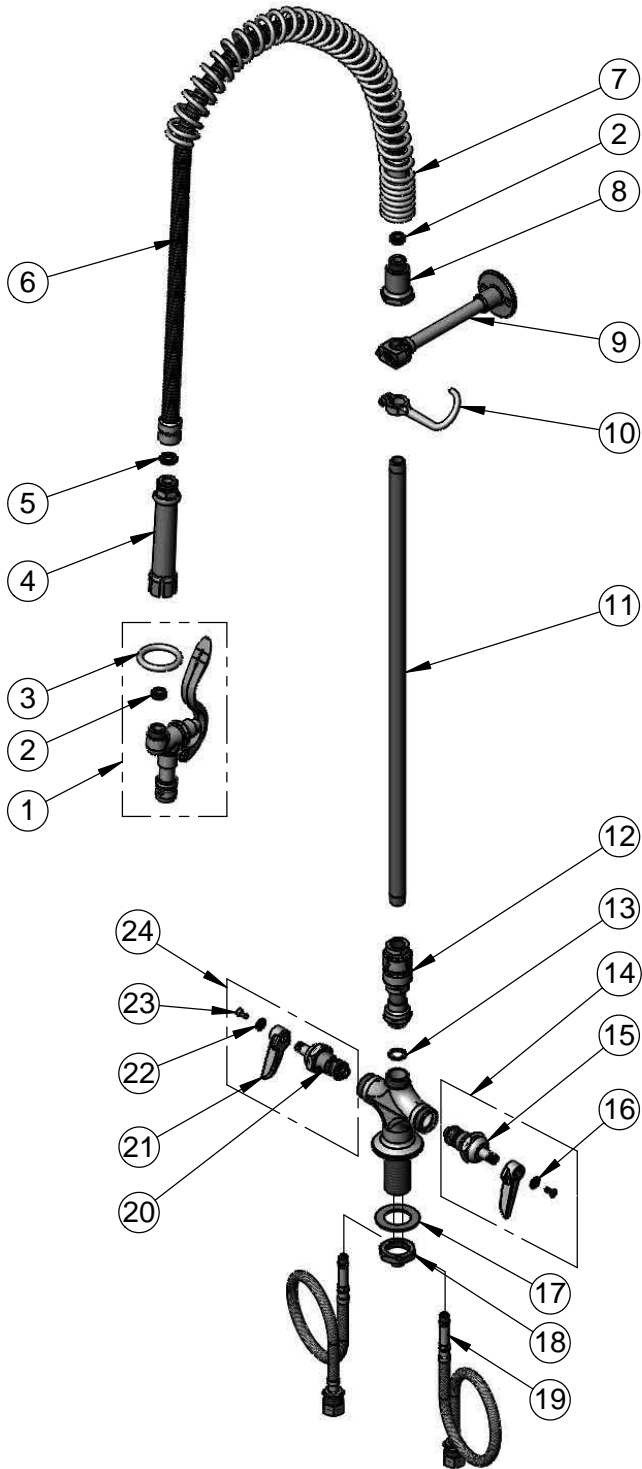
2 Saddleback Cove / P.O. Box 1088
Travelers Rest, SC 29690

Model No.

B-0113-CR-BVB-A

Item No.

Travelers Rest, SC: 800-476-4103 • Simi Valley, CA: 800-423-0150 • Fax: 864-834-3518 • www.tsbrass.com



ITEM NO.	SALES NO.	DESCRIPTION
1	B-0107-A	2.2 GPM Aerated Spray Valve
2	010476-45	#27 Washer
3	000907-45	Spray Valve Hold Down Ring
4	002987-40	Grip Handle
5	001014-45	Washer, B-0100 Hose Barrel
6	B-0044-H2A	44" Flexible Stainless Steel Hose, Less Handle
7	000888-45	EasyInstall Overhead Spring
8	000821-40	Spring Body
9	B-0109-01	6" Wall Support
10	004R	Finger Hook
11	000370-40	3/8" NPT x 20" Riser
12	B-0970-FEZ	EasyInstall Vacuum Breaker
13	014200-45	Star Washer, Anti-Rotation
14	012447-25	Quarter-Turn Cerama Cartridge LTC w/ Check Valve, Handle, Index & Screw
15	012395-25	Quarter-Turn Cerama Cartridge LTC w/ Check Valve
16	001660-45	Blue Index-CW
17	002290-45	Lock Washer
18	000965-45	Lock Nut
19	012534-45	Flexible Connector Hose
20	012394-25	Quarter-Turn Cerama Cartridge RTC w/ Check Valve
21	001638-45	Lever Handle
22	001661-45	Red Index-HW
23	000922-45	Lever Handle Screw
24	012446-25	Quarter-Turn Cerama Cartridge RTC w/ Check Valve, Handle, Index & Screw

Product Specifications:

Single Deck Mount Vertical Glass Filler, Cerama Cartridges w/ Check Valves, EasyInstall Vacuum Breaker, Flexible Supply Hoses, 24" Riser, 44" Flexible Stainless Steel Hose w/ 2.2 GPM Aerated Spray Valve, 6" Wall Bracket & Flexible Stainless Steel Supply Hoses

Product Compliance:

ASME A112.18.1 / CSA B125.1
NSF 61 - Section 9
NSF 372 (Low Lead Content)
EPA Act 2005 Non-Compliant (PRSV)