



T&S BRASS AND BRONZE WORKS, INC.

2 Saddleback Cove / P.O. Box 1088
Travelers Rest, SC 29690

Model No.

B-0113-CR-V-BC

Item No.

Travelers Rest, SC: 800-476-4103 • Simi Valley, CA: 800-423-0150 • Fax: 864-834-3518 • www.tsbrass.com

This Space for Architect/Engineer Approval

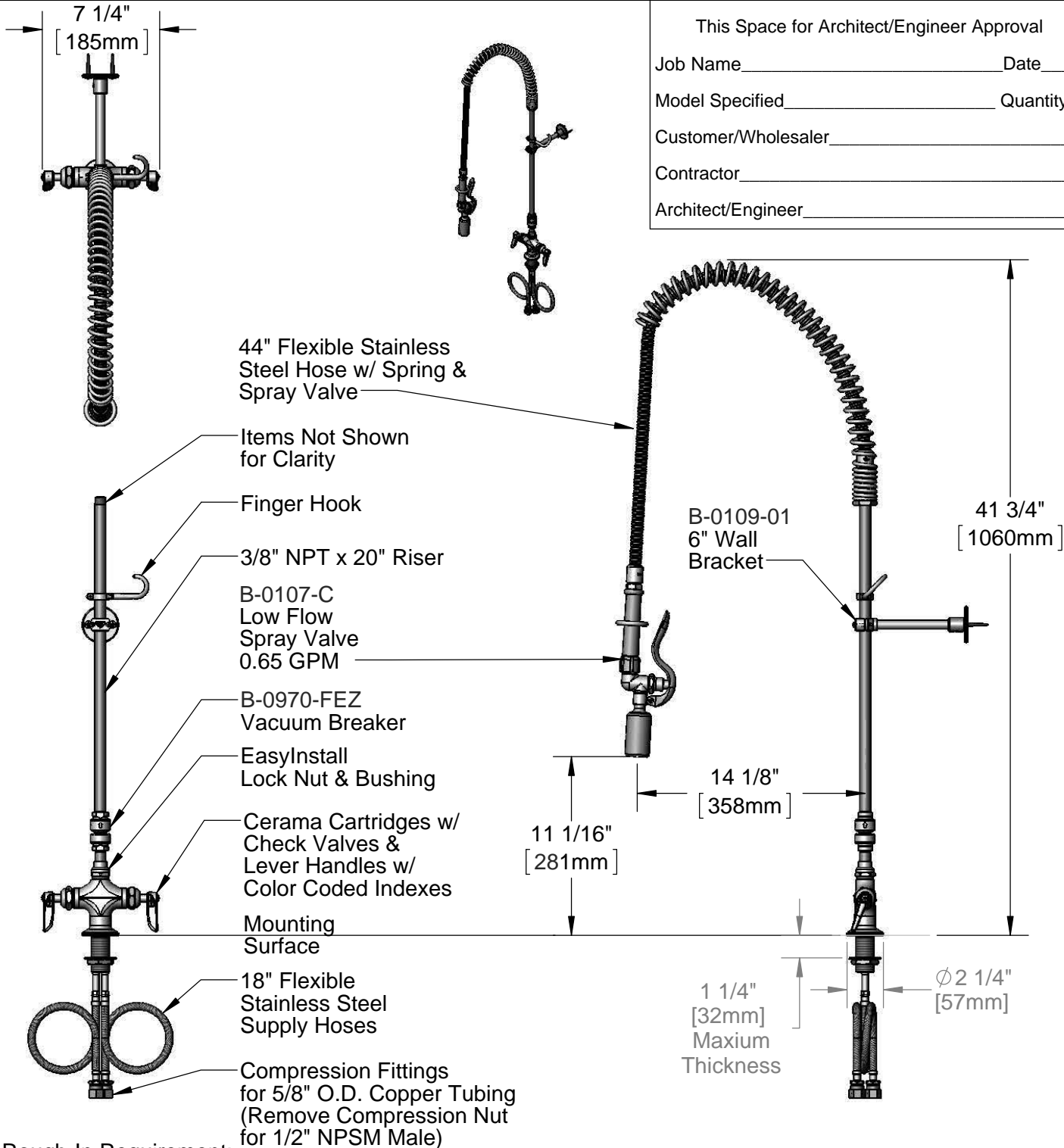
Job Name _____ Date _____

Model Specified _____ Quantity _____

Customer/Wholesaler _____

Contractor _____

Architect/Engineer _____



Rough-In Requirement:
Ø 1 1/2" [Ø 38mm] Hole

Product Specifications:

EasyInstall Pre-Rinse Unit: Single Hole Deck Mount Mixing Faucet, Cerama Cartridges w/ Check Valves, Lever Handles, 44" Flexible Stainless Steel Hose, 0.65 GPM Low Flow Spray Valve, 6" Wall Bracket, Vacuum Breaker and Flexible Stainless Steel Supply Hoses

Product Compliance:

ASME A112.18.1 / CSA B125.1
NSF 61 - Section 9
NSF 372 (Low Lead Content)
EPA Act 2005 (PRSV)
CSA B64.8 (VB)



T&S BRASS AND BRONZE WORKS, INC.

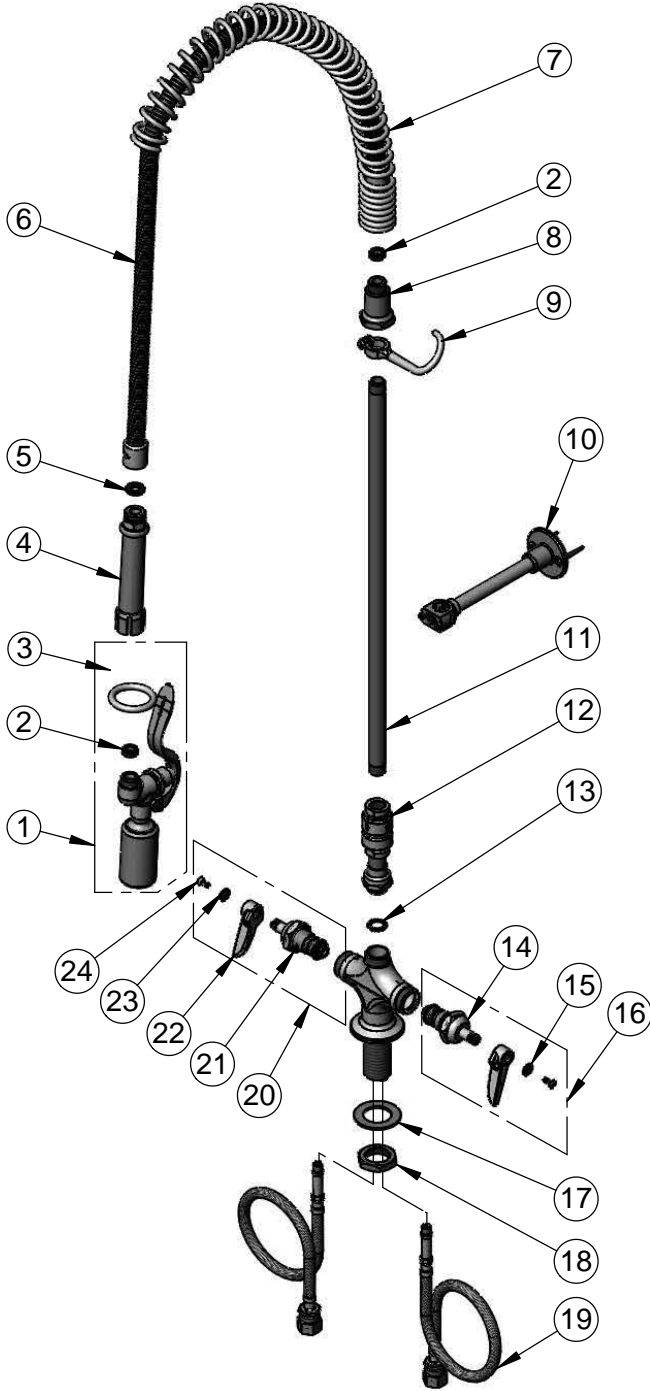
2 Saddleback Cove / P.O. Box 1088
Travelers Rest, SC 29690

Model No.

B-0113-CR-V-BC

Item No.

Travelers Rest, SC: 800-476-4103 • Simi Valley, CA: 800-423-0150 • Fax: 864-834-3518 • www.tsbrass.com



ITEM NO.	SALES NO.	DESCRIPTION
1	B-0107-C	0.65 GPM Low Flow Spray Valve
2	010476-45	#27 Washer
3	000907-45	Spray Valve Hold Down Ring
4	002987-40	Handle Grip
5	001014-45	Washer, B-0100 Hose Barrel
6	B-0044-H2A	44" Flexible Stainless Steel Hose, Less Handle
7	000888-45	EasyInstall Overhead Spring
8	000821-40	Spring Body
9	004R	Finger Hook
10	B-0109-01	6" Wall Bracket
11	000370-40	3/8" NPT x 20" Riser
12	B-0970-FEZ	EasyInstall 3/8" NPT Vacuum Breaker
13	014200-45	Star Washer, Anti-Rotation
14	012395-25	Cerama Cartridge, LTC w/ Check Valve
15	001660-45	Blue Index-CW
16	012447-25	Quarter-Turn Cerama Cartridge, LTC w/ Check Valve, Handle, Index & Screw
17	002290-45	Lock Washer
18	000965-45	Lock Nut
19	012534-45	18" Flexible Supply Hose (2)
20	012446-25	Quarter-Turn Cerama Cartridge, RTC w/ Check Valve, Handle, Index & Screw
21	012394-25	Cerama Cartridge, RTC w/ Check Valve
22	001638-45	Lever Handle
23	001661-45	Red Index-HW
24	000922-45	Lever Handle Screw
25	012446-25	

Product Specifications:

EasyInstall Pre-Rinse Unit: Single Hole Deck Mount Mixing Faucet, Cerama Cartridges w/ Check Valves, Lever Handles, 44" Flexible Stainless Steel Hose, 0.65 GPM Low Flow Spray Valve, 6" Wall Bracket, Vacuum Breaker and Flexible Stainless Steel Supply Hoses

Product Compliance:

ASME A112.18.1 / CSA B125.1
NSF 61 - Section 9
NSF 372 (Low Lead Content)
EPA Act 2005 (PRSV)
CSA B64.8 (VB)