



**T&S BRASS AND BRONZE WORKS, INC.**

2 Saddleback Cove / P.O. Box 1088  
Travelers Rest, SC 29690

Model No.

**B-0113-CR**

Item No.

Travelers Rest, SC: 800-476-4103 • Simi Valley, CA: 800-423-0150 • Fax: 864-834-3518 • www.tsbrass.com

This Space for Architect/Engineer Approval

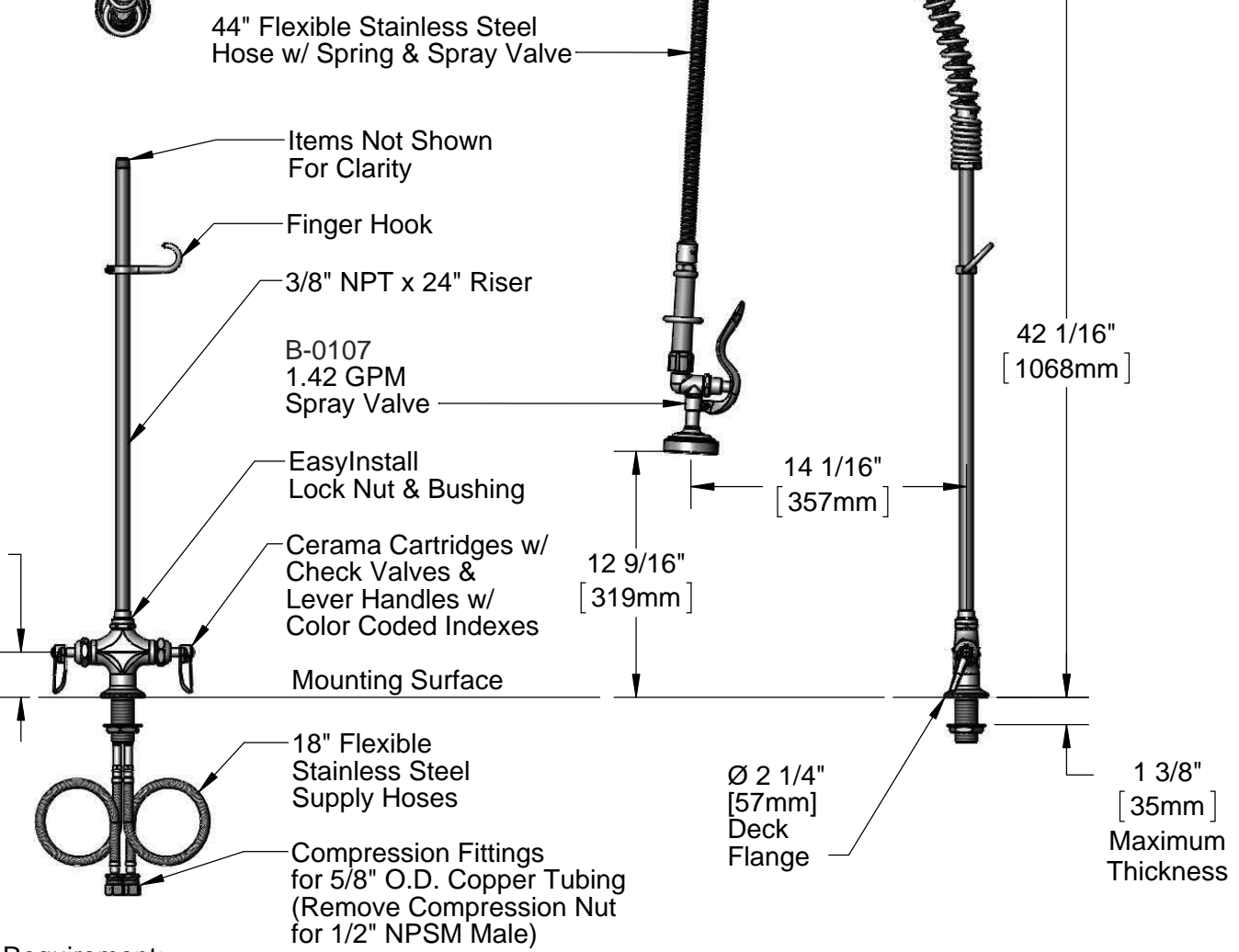
Job Name \_\_\_\_\_ Date \_\_\_\_\_

Model Specified \_\_\_\_\_ Quantity \_\_\_\_\_

Customer/Wholesaler \_\_\_\_\_

Contractor \_\_\_\_\_

Architect/Engineer \_\_\_\_\_



Rough-In Requirement:  
Ø 1 1/2" [38mm] Mounting Hole

Product Specifications:

EasyInstall Pre-Rinse Unit: Single Hole Deck Mount Mixing Faucet, Cerama Cartridges w/ Check Valves, Lever Handles, 44" Flexible Stainless Steel Hose, 1.42 GPM Spray Valve, & Flexible Stainless Steel Supply Hoses

Product Compliance:

ASME A112.18.1 / CSA B125.1  
NSF 61 - Section 9  
NSF 372 (Low Lead Content)  
EPA Act 2005 (PRSV)



# T&S BRASS AND BRONZE WORKS, INC.

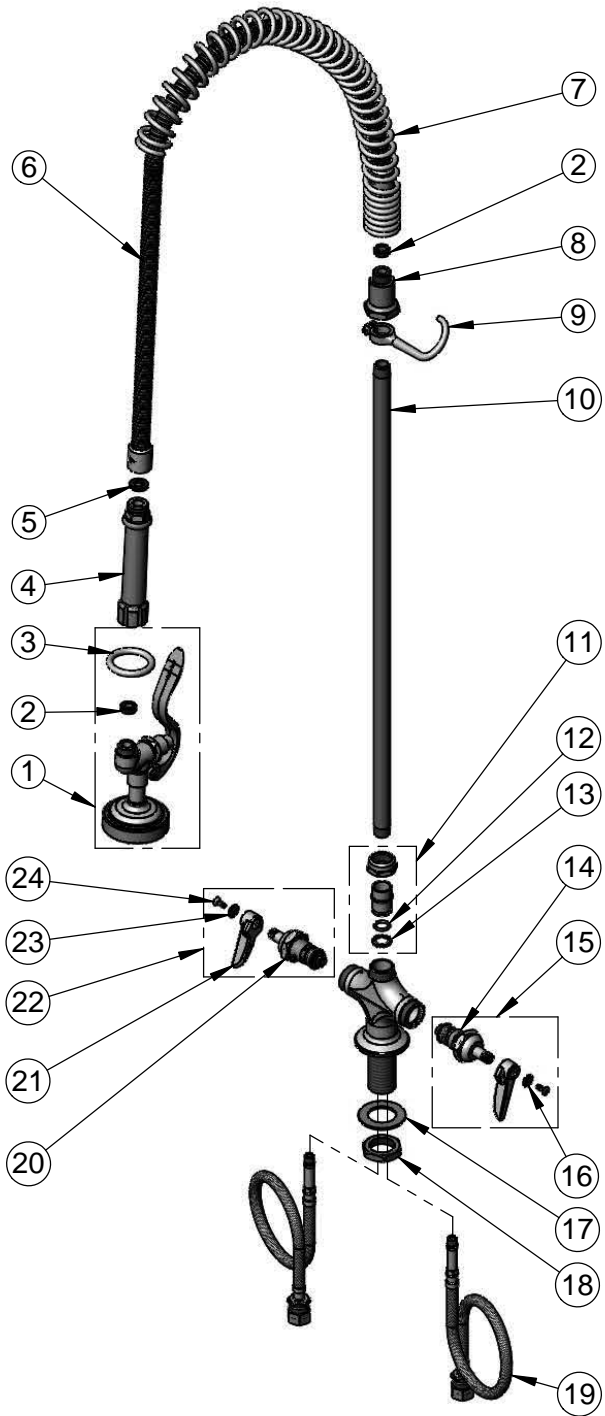
2 Saddleback Cove / P.O. Box 1088  
Travelers Rest, SC 29690

Model No.

**B-0113-CR**

Item No.

Travelers Rest, SC: 800-476-4103 • Simi Valley, CA: 800-423-0150 • Fax: 864-834-3518 • www.tsbrass.com



| ITEM NO. | SALES NO.  | DESCRIPTION   |
|----------|------------|---|
| 1        | B-0107     | 1.42 GPM Spray Valve  |
| 2        | 010476-45  | #27 Washer  |
| 3        | 000907-45  | Spray Valve Hold Down Ring                                  |
| 4        | 002987-40  | Grip Handle   |
| 5        | 001014-45  | Washer, B-0100 Hose Barrel                                  |
| 6        | B-0044-H2A | 44" Flexible Stainless Steel Hose, Less Handle              |
| 7        | 000888-45  | EasyInstall Overhead Spring                                 |
| 8        | 000821-40  | Spring Body   |
| 9        | 004R       | Finger Hook   |
| 10       | 000372-40  | 3/8" NPT x 24" Riser  |
| 11       | EZ-K       | EasyInstall Kit: Nut, Bushing, O-ring & Lock Washer         |
| 12       | 001065-45  | O-Ring  |
| 13       | 014200-45  | Star Washer, Anti-Rotation                                  |
| 14       | 012395-25  | Cerama Cartridge, LTC w/ Check Valve                        |
| 15       | 012447-25  | Cerama Cartridge, LTC w/ Check Valve, Handle, Index & Screw |
| 16       | 001660-45  | Blue Index-CW   |
| 17       | 002290-45  | Lock Washer   |
| 18       | 000965-45  | Lock Nut  |
| 19       | 012534-45  | 18" Flexible Supply Hose (2)                                |
| 20       | 012394-25  | Cerama Cartridge, RTC w/ Check Valve                        |
| 21       | 001638-45  | Lever Handle  |
| 22       | 012446-25  | Cerama Cartridge, RTC w/ Check Valve, Handle, Index & Screw |
| 23       | 001661-45  | Red Index-HW  |
| 24       | 000922-45  | Lever Handle Screw  |

**Product Specifications:**

EasyInstall Pre-Rinse Unit: Single Hole Deck Mount Mixing Faucet, Cerama Cartridges w/ Check Valves, Lever Handles, 44" Flexible Stainless Steel Hose, 1.42 GPM Spray Valve, & Flexible Stainless Steel Supply Hoses

**Product Compliance:**

ASME A112.18.1 / CSA B125.1  
NSF 61 - Section 9  
NSF 372 (Low Lead Content)  
EPA Act 2005 (PRSV)