



T&S BRASS AND BRONZE WORKS, INC.

2 Saddleback Cove / P.O. Box 1088
Travelers Rest, SC 29690

Model No.

B-0121

Item No.

Travelers Rest, SC: 800-476-4103 • Simi Valley, CA: 800-423-0150 • Fax: 864-834-3518 • www.tsbrass.com

EPAct 2005 Compliant

This Space for Architect/Engineer Approval

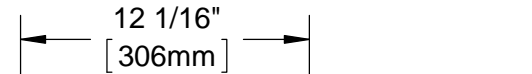
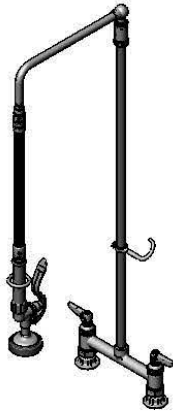
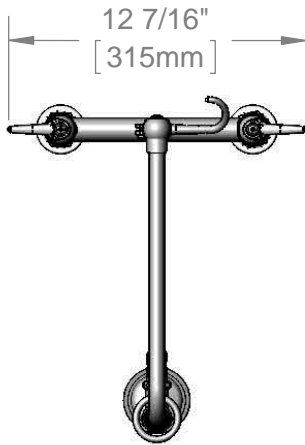
Job Name _____ Date _____

Model Specified _____ Quantity _____

Customer/Wholesaler _____

Contractor _____

Architect/Engineer _____



Items Not Shown For Clarity

20" Flexible Stainless Steel Hose

3/8" NPT x 32" Riser

Finger Hook

B-0107
1.42 GPM
Spray Valve

Eterna Cartridges
w/ Spring Checks &
Lever Handles w/
Color Coded Indexes

Swivel Arm

360°
Swivel
Joint

38 3/8"
[975mm]

9 3/16"
[234mm]

11 5/16"
[287mm]

Mounting Surface

5 1/8"
[130mm]

8"
[203mm]

Adjustable From
7 3/4" to 8 1/4"
[197mm to 210mm]

Ø 2" [51mm]
Flanges w/
1/2" NPT
Female Inlets

Product Specifications:

Pre-Rinse Unit: 8" Deck Mount Mixing Faucet, Eterna Cartridges w/ Spring Checks, Lever Handles, 1.42 GPM Spray Valve, 32" Riser, 12" Overhead Swivel Arm & 1/2" NPT Female Inlets

Drawn

DHL

Checked

DMH

Approved

JHB

Scale:

1:8

Date:

02/04/14



T&S BRASS AND BRONZE WORKS, INC.

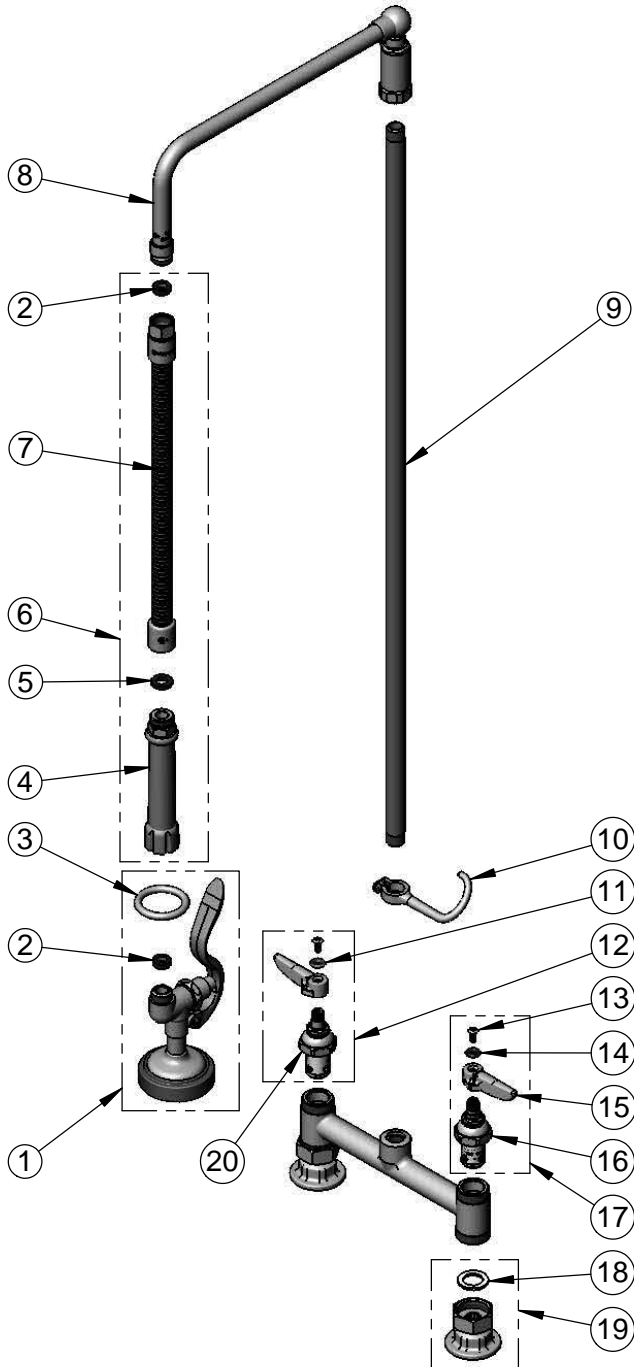
2 Saddleback Cove / P.O. Box 1088
Travelers Rest, SC 29690

Model No.

B-0121

Item No.

Travelers Rest, SC: 800-476-4103 • Simi Valley, CA: 800-423-0150 • Fax: 864-834-3518 • www.tsbrass.com



ITEM NO.	SALES NO.	DESCRIPTION
1	B-0107	1.42 GPM Spray Valve
2	010476-45	#27 Washer
3	000907-45	Spray Valve Hold Down Ring
4	002987-40	Grip Handle
5	001014-45	Washer, B-0100 Hose Barrel
6	B-0020-H	20" Flexible Stainless Steel Hose
7	B-0020-H2A	20" Flexible Stainless Steel Hose, Less Handle
8	002882-40	12" Swivel L-Tube
9	000376-40	3/8" NPT x 32" Riser
10	004R	Finger Hook
11	001661-45	Red Index-HW
12	002712-40	Eterna Cartridge, RTC w/ Spring Check, Handle, Index & Screw
13	000922-45	Lever Handle Screw
14	001660-45	Blue Index-CW
15	001638-45	Lever Handle
16	012442-40	Eterna Cartridge, LTC w/ Spring Check
17	002711-40	Eterna Cartridge, LTC w/ Spring Check, Handle, Index & Screw
18	001019-45	Coupling Nut Washer
19	00AA	1/2" NPT Female Eccentric Flange
20	012443-40	Eterna Cartridge, RTC w/ Spring Check

Product Specifications:

Pre-Rinse Unit: 8" Deck Mount Mixing Faucet, Eterna Cartridges w/ Spring Checks, Lever Handles, 1.42 GPM Spray Valve, 32" Riser, 12" Overhead Swivel Arm & 1/2" NPT Female Inlets

Drawn

DHL

Checked

DMH

Approved

JHB

Scale:

NTS

Date:

02/04/14