



T&S BRASS AND BRONZE WORKS, INC.

2 Saddleback Cove / P.O. Box 1088
Travelers Rest, SC 29690

Model No.

B-0123-12CRCCVB

Item No.

Travelers Rest, SC: 800-476-4103 • Simi Valley, CA: 800-423-0150 • Fax: 864-834-3518 • www.tsbrass.com

This Space for Architect/Engineer Approval

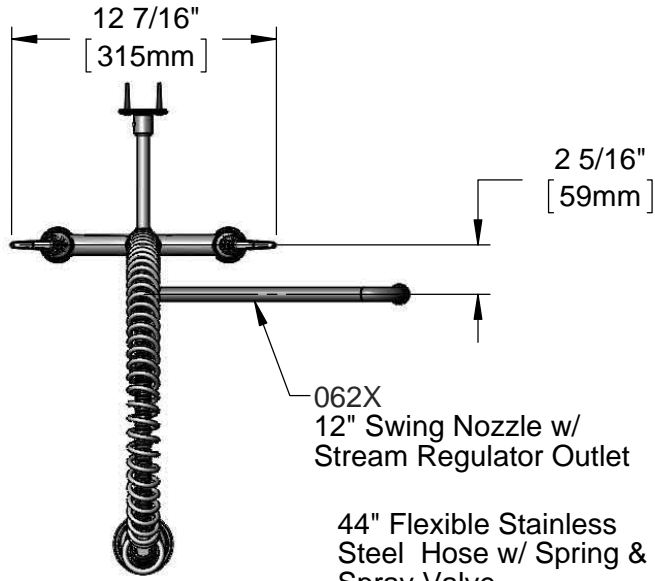
Job Name _____ Date _____

Model Specified _____ Quantity _____

Customer/Wholesaler _____

Contractor _____

Architect/Engineer _____



062X
12" Swing Nozzle w/
Stream Regulator Outlet

44" Flexible Stainless
Steel Hose w/ Spring &
Spray Valve

Items Not Shown
for Clarity

3/8" NPT x 20" Riser

Finger Hook

B-0107
1.42 GPM
Spray Valve

B-0970-FEZ
Vacuum
Breaker

12"
[305mm]

17 11/16"
[449mm]

14 15/16"
[379mm]

15 5/8"
[397mm]

14 1/16"
[357mm]

B-0109-01
6" Wall
Bracket

Add-On Faucet
w/ Quarter-Turn
Cerama Cartridge
& Lever Handle

3/16"
[5mm]
Maximum
Thickness

Mounting Surface

1 5/16"
[33mm] Hex

1/2" NPT
"CC" Male
Inlets

4 3/4"
[121mm]

8"
[203mm]

Quarter-Turn Cerama
Cartridges w/ Check
Valves & Lever Handles
w/ Color Coded Indexes

45 3/16"
[1147mm]

Rough-In Requirement:
(2) ϕ 1" [25mm] Mounting Holes

Product Specifications:

EasyInstall Pre-Rinse Unit:
8" Deck Mount Mixing Faucet, Cerama Cartridges w/ Check Valves,
Lever Handles, Add-On Faucet w/ 12" Swing Nozzle, 20" Riser,
44" Flexible Stainless Steel Hose, 1.42 GPM Spray Valve, 6" Wall
Bracket, Vacuum Breaker & 1/2" NPT "CC" Male Inlets

Product Compliance:

ASME A112.18.1 / CSA B125.1
NSF 61 - Section 9
NSF 372 (Low Lead Content)
EPA Act 2005 (PRSV)



T&S BRASS AND BRONZE WORKS, INC.

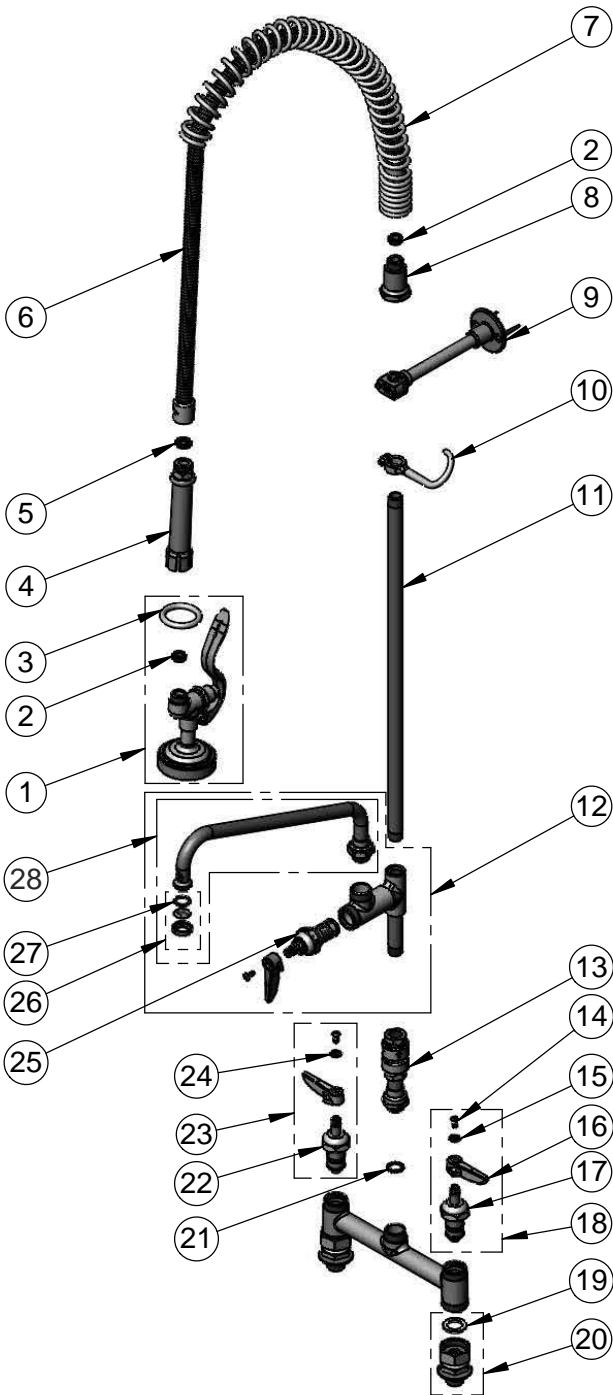
2 Saddleback Cove / P.O. Box 1088
Travelers Rest, SC 29690

Model No.

B-0123-12CRCCVB

Item No.

Travelers Rest, SC: 800-476-4103 • Simi Valley, CA: 800-423-0150 • Fax: 864-834-3518 • www.tsbrass.com



| ITEM NO. | SALES NO. | DESCRIPTION |
|----------|------------|---|
| 1 | B-0107 | 1.42 GPM Spray Valve |
| 2 | 010476-45 | #27 Washer |
| 3 | 000907-45 | Spray Valve Hold Down Ring |
| 4 | 002987-40 | Grip Handle |
| 5 | 001014-45 | Washer, B-0100 Hose Barrel |
| 6 | B-0044-H2A | 44" Flexible Stainless Steel Hose, Less Handle |
| 7 | 000888-45 | EasyInstall Overhead Spring |
| 8 | 000821-40 | Spring Body |
| 9 | B-0109-01 | 6" Wall Bracket |
| 10 | 004R | Finger Hook |
| 11 | 000370-40 | 3/8" NPT x 20" Riser |
| 12 | B-0156-CR | Add-On Faucet w/ Quarter-Turn Cerama Cartridge & 12" Swing Nozzle |
| 13 | B-0970-FEZ | EasyInstall 3/8" NPT Vacuum Breaker |
| 14 | 000922-45 | Lever Handle Screw |
| 15 | 001660-45 | Blue Index-CW |
| 16 | 001638-45 | Lever Handle |
| 17 | 012395-25 | Cerama Cartridge, LTC w/ Check Valve |
| 18 | 012447-25 | Cerama Cartridge, LTC w/ Check Valve, Handle, Index & Screw |
| 19 | 001019-45 | Coupling Nut Washer |
| 20 | 00CC | 1/2" NPT Male Inlet Flange |
| 21 | 014200-45 | Star Washer, Anti-Rotation |
| 22 | 012394-25 | Cerama Cartridge, RTC w/ Check Valve |
| 23 | 012446-25 | Cerama Cartridge, RTC w/ Check Valve, Handle, Index & Screw |
| 24 | 001661-45 | Red Index-HW |
| 25 | 011278-25 | Cerama Cartridge, RTC |
| 26 | B-PT | Stream Regulator Outlet |
| 27 | 001048-45 | Nozzle Tip Washer |
| 28 | 062X | 12" Swing Nozzle |

Product Specifications:

EasyInstall Pre-Rinse Unit:
8" Deck Mount Mixing Faucet, Cerama Cartridges w/ Check Valves,
Lever Handles, Add-On Faucet w/ 12" Swing Nozzle, 20" Riser,
44" Flexible Stainless Steel Hose, 1.42 GPM Spray Valve, 6" Wall
Bracket, Vacuum Breaker & 1/2" NPT "CC" Male Inlets

Product Compliance:

ASME A112.18.1 / CSA B125.1
NSF 61 - Section 9
NSF 372 (Low Lead Content)
EPA Act 2005 (PRSV)