



# T&S BRASS AND BRONZE WORKS, INC.

2 Saddleback Cove / P.O. Box 1088  
Travelers Rest, SC 29690

Model No.

**B-0123-12CRCVBC**

Item No.

Travelers Rest, SC: 800-476-4103 • Simi Valley, CA: 800-423-0150 • Fax: 864-834-3518 • www.tsbrass.com

This Space for Architect/Engineer Approval

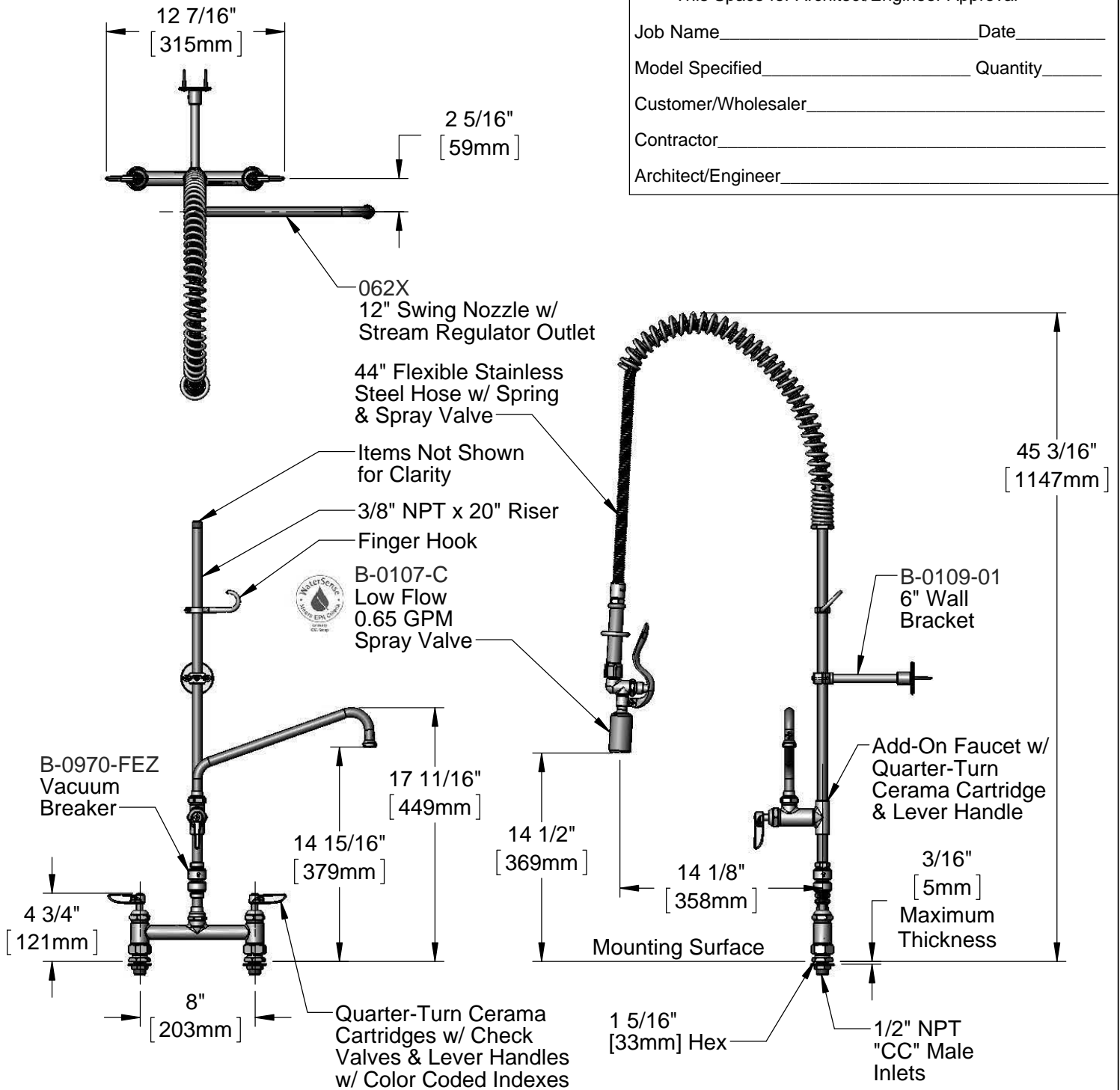
Job Name \_\_\_\_\_ Date \_\_\_\_\_

Model Specified \_\_\_\_\_ Quantity \_\_\_\_\_

Customer/Wholesaler \_\_\_\_\_

Contractor \_\_\_\_\_

Architect/Engineer \_\_\_\_\_



Rough-In Requirement  
(2)  $\phi$  1" [25mm] Mounting Holes

**Product Specifications:**

EasyInstall Pre-Rinse Unit:  
8" Deck Mount Mixing Faucet, Cerama Cartridges w/ Check Valves,  
Lever Handles, Add-On Faucet w/ 12" Swing Nozzle, 20" Riser,  
44" Flexible Stainless Steel Hose, 0.65 GPM Low Flow Spray Valve,  
6" Wall Bracket, Vacuum Breaker & 1/2" NPT "CC" Male Inlets

**Product Compliance:**

ASME A112.18.1 / CSA B125.1  
NSF 61 - Section 9  
NSF 372 (Low Lead Content)  
EPA Act 2005 (PRSV)  
EPA WaterSense (PRSV)



# T&S BRASS AND BRONZE WORKS, INC.

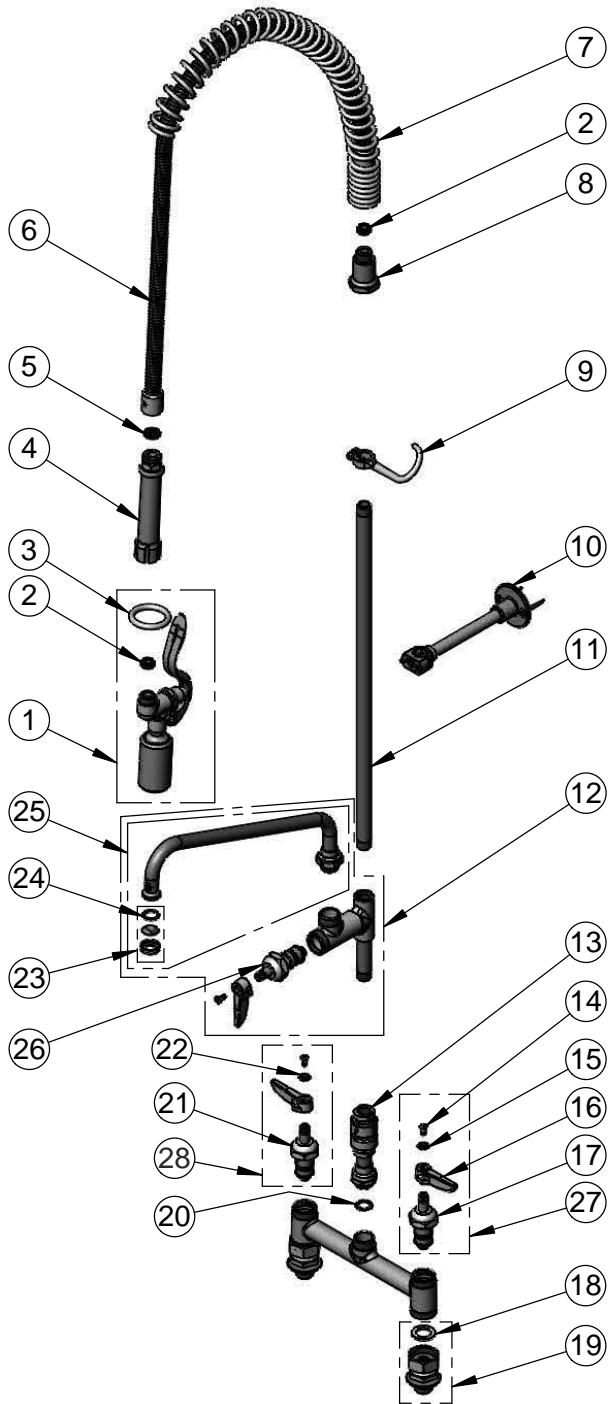
2 Saddleback Cove / P.O. Box 1088  
Travelers Rest, SC 29690

Model No.

**B-0123-12CRCVBC**

Item No.

Travelers Rest, SC: 800-476-4103 • Simi Valley, CA: 800-423-0150 • Fax: 864-834-3518 • www.tsbrass.com



| ITEM NO. | SALES NO.  | DESCRIPTION   |
|----------|------------|---|
| 1        | B-0107-C   | 0.65 GPM Low Flow Spray Valve                                     |
| 2        | 010476-45  | #27 Washer  |
| 3        | 000907-45  | Spray Valve Hold Down Ring  |
| 4        | 002987-40  | Grip Handle   |
| 5        | 001014-45  | Washer, B-0100 Hose Barrel  |
| 6        | B-0044-H2A | 44" Flexible Stainless Steel Hose, Less Handle                    |
| 7        | 000888-45  | EasyInstall Overhead Spring                                       |
| 8        | 000821-40  | Spring Body   |
| 9        | 004R       | Finger Hook   |
| 10       | B-0109-01  | 6" Wall Bracket   |
| 11       | 000370-40  | 3/8" NPT x 20" Riser  |
| 12       | B-0156-CR  | Add-On Faucet w/ Quarter-Turn Cerama Cartridge & 12" Swing Nozzle |
| 13       | B-0970-FEZ | EasyInstall 3/8" NPT Vacuum Breaker                               |
| 14       | 000922-45  | Lever Handle Screw  |
| 15       | 001660-45  | Blue Index-CW   |
| 16       | 001638-45  | Lever Handle  |
| 17       | 012395-25  | Cerama Cartridge, LTC w/ Check Valve                              |
| 18       | 001019-45  | Coupling Nut Washer   |
| 19       | 00CC       | 1/2" NPT Male Inlet Flange  |
| 20       | 014200-45  | Star Washer, Anti-Rotation  |
| 21       | 012394-25  | Cerama Cartridge, RTC w/ Check Valve                              |
| 22       | 001661-45  | Red Index-HW  |
| 23       | B-PT       | Stream Regulator Outlet   |
| 24       | 001048-45  | Nozzle Tip Washer   |
| 25       | 062X       | 12" Swing Nozzle  |
| 26       | 011278-25  | Cerama Cartridge, RTC   |
| 27       | 012447-25  | Cerama Cartridge, LTC w/ Check Valve, Handle, Index & Screw       |
| 28       | 012446-25  | Cerama Cartridge, RTC w/ Check Valve, Handle, Index & Screw       |

**Product Specifications:**

EasyInstall Pre-Rinse Unit:  
8" Deck Mount Mixing Faucet, Cerama Cartridges w/ Check Valves, Lever Handles, Add-On Faucet w/ 12" Swing Nozzle, 20" Riser, 44" Flexible Stainless Steel Hose, 0.65 GPM Low Flow Spray Valve, 6" Wall Bracket, Vacuum Breaker & 1/2" NPT "CC" Male Inlets

**Product Compliance:**

ASME A112.18.1 / CSA B125.1  
NSF 61 - Section 9  
NSF 372 (Low Lead Content)  
EPA Act 2005 (PRSV)  
EPA WaterSense (PRSV)