



T&S BRASS AND BRONZE WORKS, INC.

2 Saddleback Cove / P.O. Box 1088
Travelers Rest, SC 29690

Model No.
B-0123-A-08C SERIES

Item No.

Travelers Rest, SC: 800-476-4103 • Simi Valley, CA: 800-423-0150 • Fax: 864-834-3518 • www.tsbrass.com

This Space for Architect/Engineer Approval

Job Name _____ Date _____

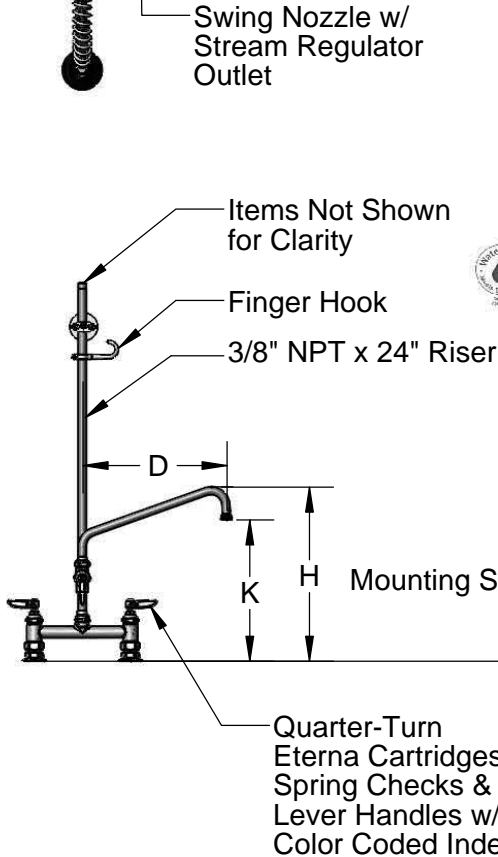
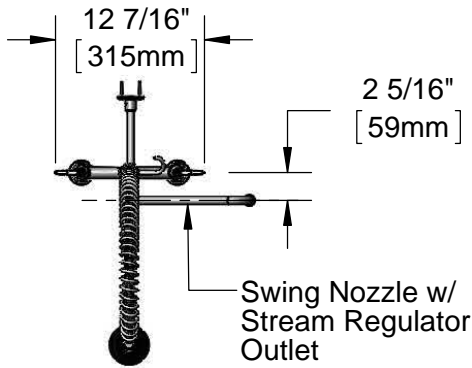
Model Specified _____ Quantity _____

Customer/Wholesaler _____

Contractor _____

Architect/Engineer _____

Model	Swing Nozzle	D	K	H	6" Wall Bracket
B-0123-A06-08C	059X	6"	9 13/16"	12 1/2"	No
B-0123-A06-B08C	059X	6"	9 13/16"	12 1/2"	Yes
B-0123-A08-08C	060X	8"	10 3/8"	13 1/8"	No
B-0123-A08-B08C	060X	8"	10 3/8"	13 1/8"	Yes
B-0123-A10-08C	061X	10"	11 1/8"	13 7/8"	No
B-0123-A10-B08C	061X	10"	11 1/8"	13 7/8"	Yes
B-0123-A12-08C	062X	12"	11 3/4"	14 1/2"	No
B-0123-A12-B08C	062X	12"	11 3/4"	14 1/2"	Yes



B-0108-C
0.65 GPM
Low Flow
Spray Valve

44" Flexible
Stainless Steel
Hose w/ Spring
& Spray Valve

B-0109-01
6" Wall Bracket
(Optional)

EasyInstall
Add-On Faucet
w/ Quarter-Turn
Eterna Cartridge
& Lever Handle

18 5/16"
[465mm]

46 3/8"
[1178mm]

14 7/16"
[366mm]

Ø2" [51]mm
Flanges w/
1/2" NPT
Female Inlets

Product Specifications:

Pre-Rinse Unit: EasyInstall 8" Deck Mount Base Mixing Faucet, Quarter-Turn Eterna Cartridges w/ Spring Checks, Add-On Faucet w/ Swing Nozzle, 24" Riser, 44" Flexible Stainless Steel Hose, 0.65 GPM Low Flow Spray Valve & 6" Wall Bracket (Optional)

Product Compliance:

ASME A112.18.1 / CSA B125.1
NSF 61 - Section 9
NSF 372 (Low Lead Content)
EPA Act 2005 (PRSV)
EPA WaterSense (PRSV)



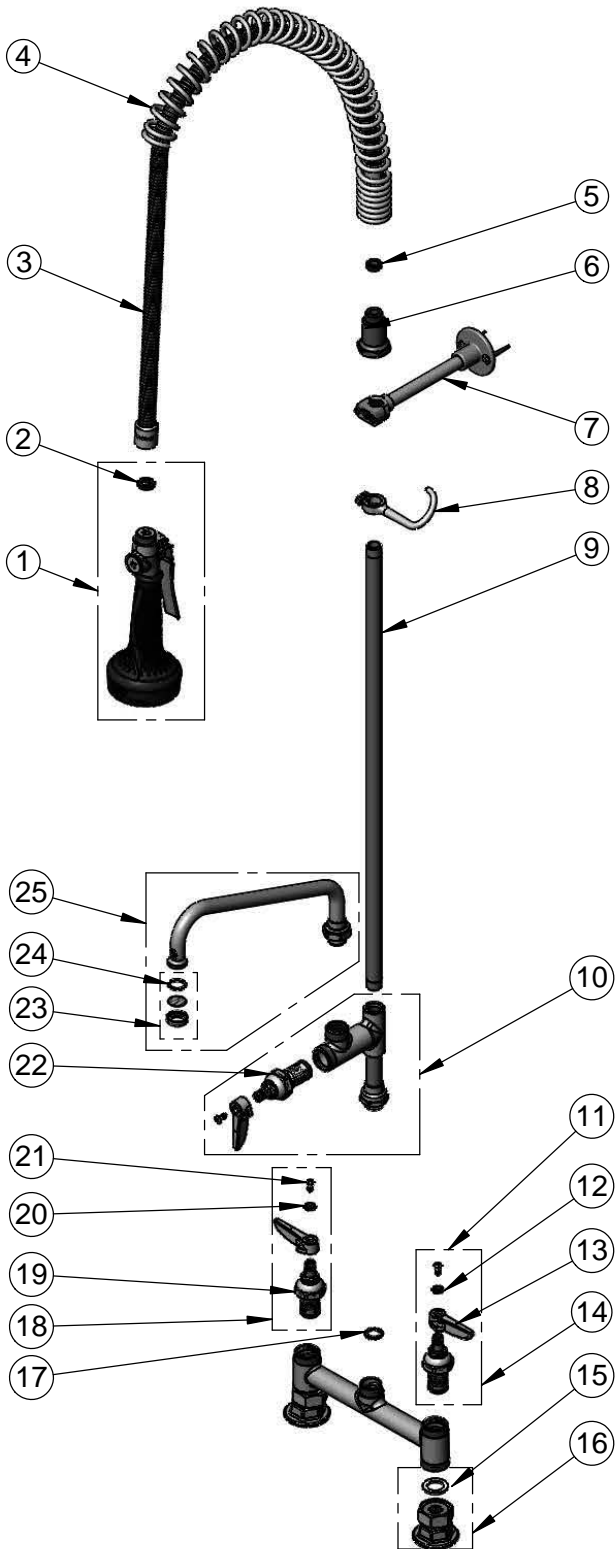
T&S BRASS AND BRONZE WORKS, INC.

2 Saddleback Cove / P.O. Box 1088
Travelers Rest, SC 29690

Model No.
B-0123-A-08C SERIES

Item No.

Travelers Rest, SC: 800-476-4103 • Simi Valley, CA: 800-423-0150 • Fax: 864-834-3518 • www.tsbrass.com



ITEM NO.	SALES NO.	DESCRIPTION
1	B-0108-C	0.65 GPM Low Flow Spray Valve w/ Ergo-Grip
2	001014-45	Washer, B-0100 Hose Barrel
3	B-0044-H2A	44" Flexible Stainless Steel Hose, Less Handle
4	000888-45	EasyInstall Overhead Spring
5	010476-45	#27 Washer
6	000821-40	Spring Body
7	B-0109-01	6" Wall Bracket
8	004R	Finger Hook
9	000372-40	3/8" NPT x 24" Riser
10	B-0155-LNEZ	Add-On Faucet w/ Quarter-Turn Eterna Cartridge, RTC & Lever Handle (Less Nozzle)
11	002711-40	Quarter-Turn Eterna Cartridge, LTC w/ Spring Check, Handle, Index & Screw
12	001660-45	Blue Index-CW
13	001638-45	Lever Handle
14	012442-40	Quarter-Turn Eterna Cartridge, LTC w/ Spring Check
15	001019-45	Coupling Nut Washer
16	00AA	1/2" NPT Female Eccentric Flange
17	014200-45	Star Washer, Anti-Rotation
18	002712-40	Quarter-Turn Eterna Cartridge, RTC w/ Spring Check, Handle, Index & Screw
19	012443-40	Quarter-Turn Eterna Cartridge, RTC w/ Spring Check
20	001661-45	Red Index-HW
21	000922-45	Lever Handle Screw
22	005960-40QT	Quarter-Turn Eterna Cartridge, RTC
23	B-PT	Stream Regulator Outlet
24	001048-45	Nozzle Tip Washer
25	See Chart	Swing Nozzle

Product Specifications:

Pre-Rinse Unit: EasyInstall 8" Deck Mount Base Mixing Faucet, Quarter-Turn Eterna Cartridges w/ Spring Checks, Add-On Faucet w/ Swing Nozzle, 24" Riser, 44" Flexible Stainless Steel Hose, 0.65 GPM Low Flow Spray Valve & 6" Wall Bracket (Optional)

Product Compliance:

ASME A112.18.1 / CSA B125.1
NSF 61 - Section 9
NSF 372 (Low Lead Content)
EPA Act 2005 (PRSV)
EPA WaterSense (PRSV)