



# T&S BRASS AND BRONZE WORKS, INC.

2 Saddleback Cove / P.O. Box 1088  
Travelers Rest, SC 29690

Model No.

**B-0123-B08C**

Item No.

Travelers Rest, SC: 800-476-4103 • Simi Valley, CA: 800-423-0150 • Fax: 864-834-3518 • www.tsbrass.com

This Space for Architect/Engineer Approval

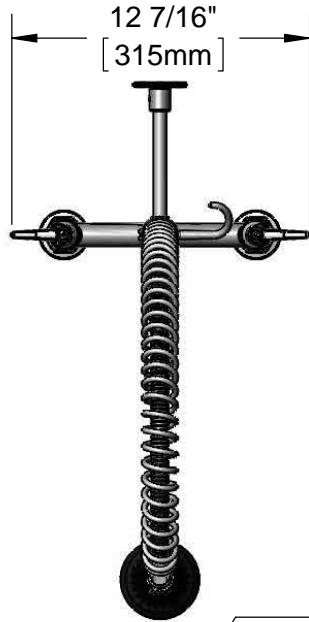
Job Name \_\_\_\_\_ Date \_\_\_\_\_

Model Specified \_\_\_\_\_ Quantity \_\_\_\_\_

Customer/Wholesaler \_\_\_\_\_

Contractor \_\_\_\_\_

Architect/Engineer \_\_\_\_\_



44" Flexible Stainless Steel Hose w/ Spring & Spray Valve

Items Not Shown for Clarity

Finger Hook

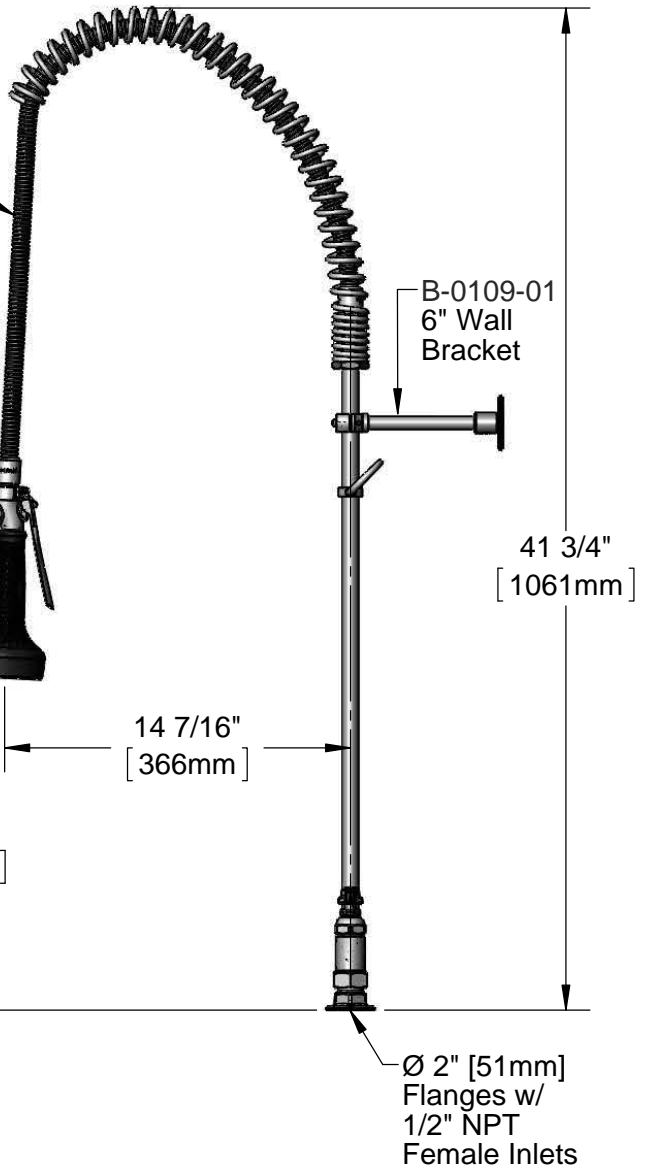
B-0108-C  
0.65 GPM  
Low Flow  
Spray Valve



3/8" NPT x 24" Riser

EasyInstall  
Lock Nut & Bushing

Quarter-Turn  
Eterna Cartridges  
w/ Spring Checks &  
Lever Handles w/  
Color Code Indexes



5 1/8" [130mm]

8" [203mm]

Adjustable From  
7 3/4" to 8 1/4"  
[197mm to 210mm]

Mounting Surface

**Product Specifications:**

Pre-Rinse Unit: EasyInstall 8" Deck Mount Mixing Faucet, Quarter-Turn Eterna Cartridges w/ Spring Checks, Lever Handles, 44" Flexible Stainless Steel Hose, 0.65 GPM Low Flow Spray Valve, 24" Riser, 6" Wall Bracket & 1/2" NPT Female Inlets

**Product Compliance:**

ASME A112.18.1 / CSA B125.1  
NSF 61 - Section 9  
NSF 372 (Low Lead Content)  
EPA Act 2005 (PRSV)  
EPA WaterSense (PRSV)



# T&S BRASS AND BRONZE WORKS, INC.

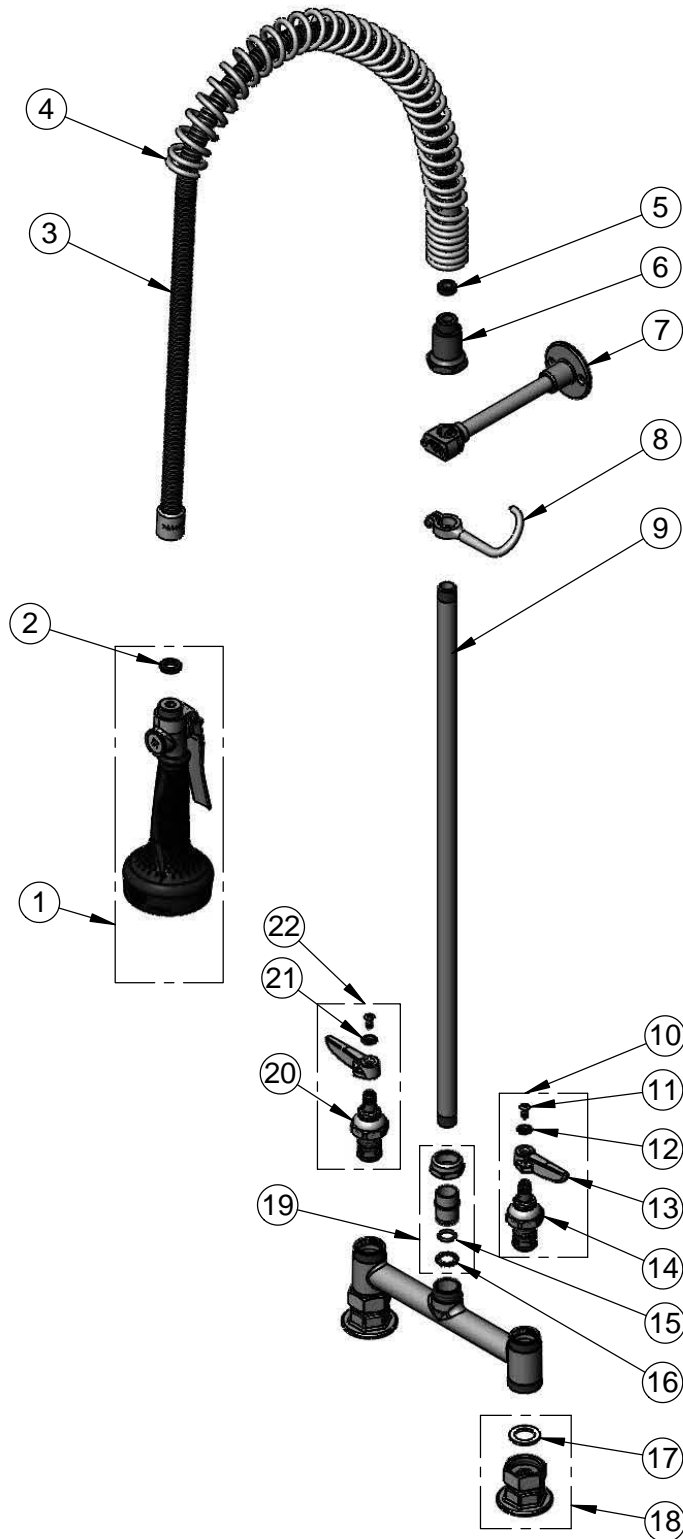
2 Saddleback Cove / P.O. Box 1088  
Travelers Rest, SC 29690

Model No.

**B-0123-B08C**

Item No.

Travelers Rest, SC: 800-476-4103 • Simi Valley, CA: 800-423-0150 • Fax: 864-834-3518 • www.tsbrass.com



ITEM NO.	SALES NO.	DESCRIPTION
1	B-0108-C	0.65 GPM Low Flow Spray Valve
2	001014-45	Washer, B-0100 Hose Barrel
3	B-0044-H2A	44" Flexible Stainless Steel Hose, Less Handle
4	000888-45	EasyInstall Overhead Spring
5	010476-45	#27 Washer
6	000821-40	Spring Body
7	B-0109-01	6" Wall Bracket Body
8	004R	Finger Hook
9	000372-40	3/8" NPT x 24" Riser
10	002711-40	Quarter-Turn Eterna Cartridge, LTC w/ Spring Check, Handle, Index & Screw
11	000922-45	Lever Handle Screw
12	001660-45	Blue Index-CW
13	001638-45	Lever Handle
14	012442-40	Quarter-Turn Eterna Cartridge, LTC w/ Spring Check
15	001065-45	O-Ring
16	014200-45	Star Washer, Anti-Rotation
17	001019-45	Coupling Nut Washer
18	00AA	1/2" NPT Female Eccentric Flange
19	EZ-K	EasyInstall Kit: Nut, Bushing, O-ring, Lock Washer
20	012443-40	Quarter-Turn Eterna Cartridge, RTC w/ Spring Check
20	001661-45	Red Index-HW
22	002712-40	Quarter-Turn Eterna Cartridge, RTC w/ Spring Check, Handle, Index & Screw

**Product Specifications:**

Pre-Rinse Unit: EasyInstall 8" Deck Mount Mixing Faucet, Quarter-Turn Eterna Cartridges w/ Spring Checks, Lever Handles, 44" Flexible Stainless Steel Hose, 0.65 GPM Low Flow Spray Valve, 24" Riser, 6" Wall Bracket & 1/2" NPT Female Inlets

**Product Compliance:**

ASME A112.18.1 / CSA B125.1  
NSF 61 - Section 9  
NSF 372 (Low Lead Content)  
EPA Act 2005 (PRSV)  
EPA WaterSense (PRSV)