



T&S BRASS AND BRONZE WORKS, INC.

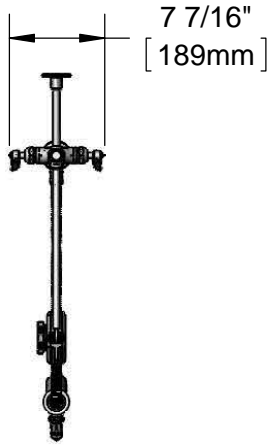
2 Saddleback Cove / P.O. Box 1088
Travelers Rest, SC 29690

Model No.

B-0126-CR

Item No.

Travelers Rest, SC: 800-476-4103 • Simi Valley, CA: 800-423-0150 • Fax: 864-834-3518 • www.tsbrass.com



This Space for Architect/Engineer Approval

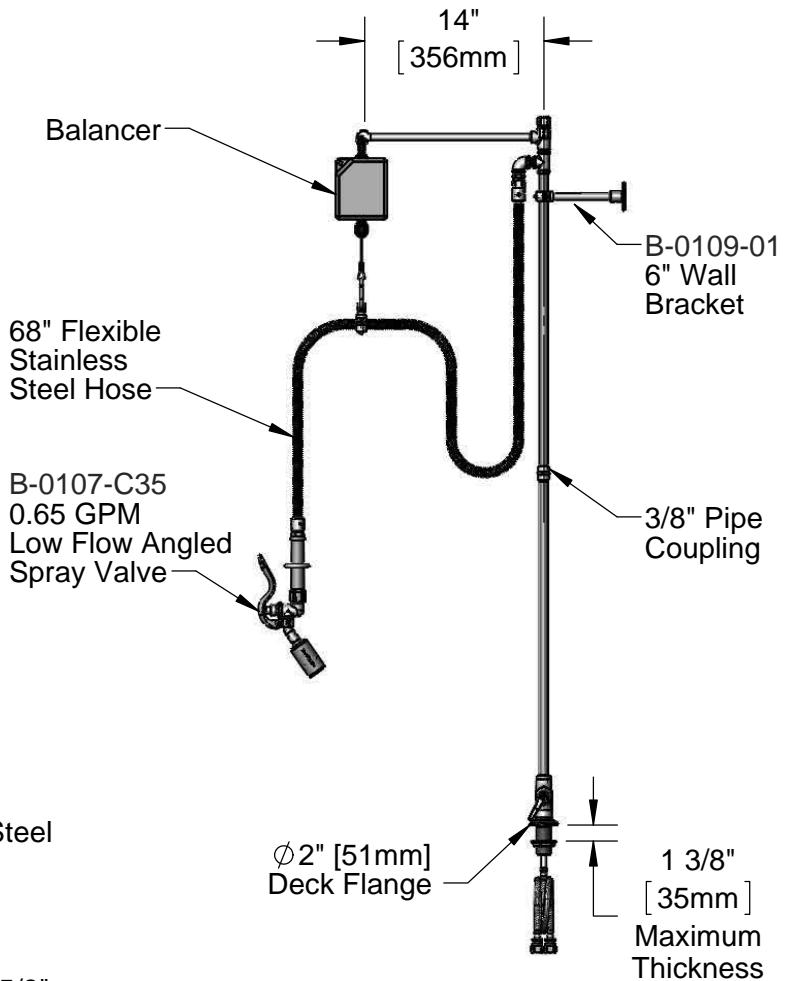
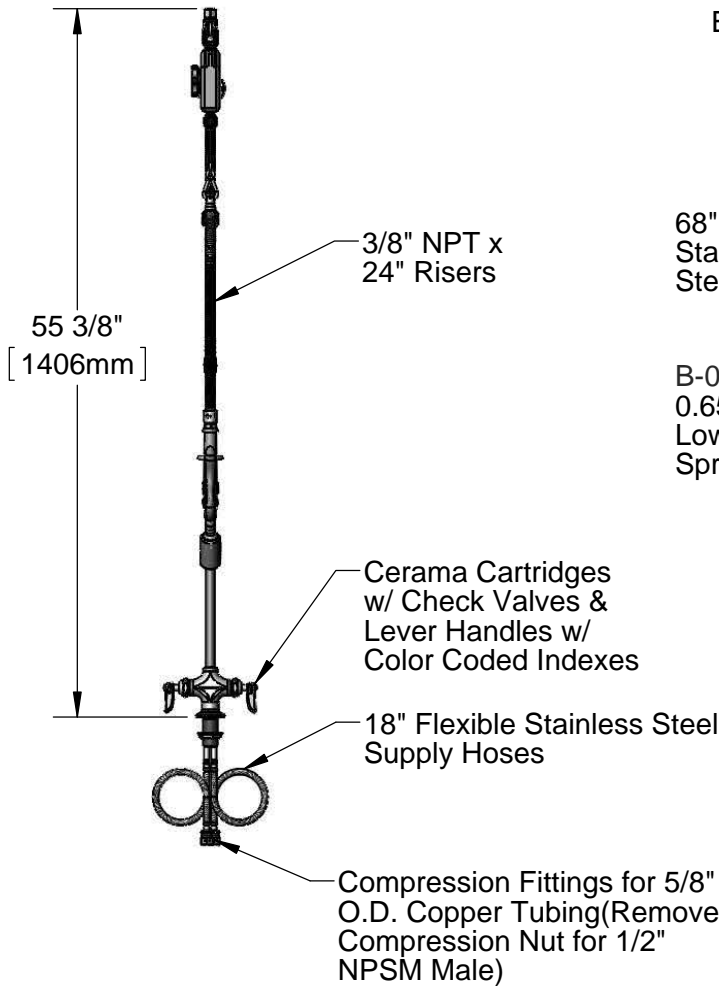
Job Name _____ Date _____

Model Specified _____ Quantity _____

Customer/Wholesaler _____

Contractor _____

Architect/Engineer _____



Product Specifications:

Pre-Rinse Unit: Single Hole Deck Mount Mixing Faucet, Cerama Cartridges w/ Check Valves, Lever Handles, 24\"/>

Product Compliance:

ASME A112.18.1 / CSA B125.1
NSF 61 - Section 9
NSF 372 (Low Lead Content)
EPA Act 2005 (PRSV)



T&S BRASS AND BRONZE WORKS, INC.

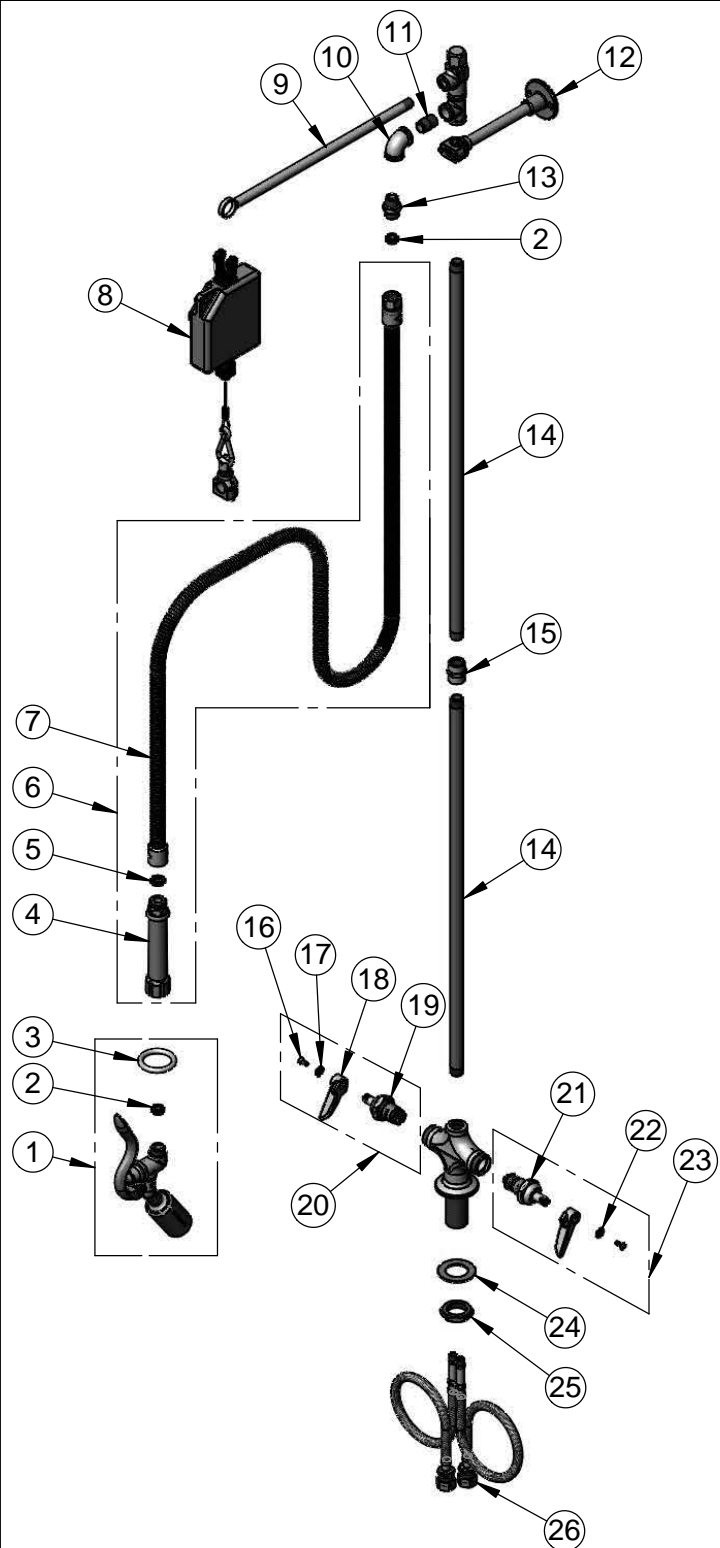
2 Saddleback Cove / P.O. Box 1088
Travelers Rest, SC 29690

Model No.

B-0126-CR

Item No.

Travelers Rest, SC: 800-476-4103 • Simi Valley, CA: 800-423-0150 • Fax: 864-834-3518 • www.tsbrass.com



| ITEM NO. | SALES NO. | DESCRIPTION |
|----------|------------|--|
| 1 | B-0107-C35 | 0.65 GPM Low Flow Angled Spray Valve |
| 2 | 010476-45 | #27 Washer |
| 3 | 000907-45 | Spray Valve Hold Down Ring |
| 4 | 002987-40 | Grip Handle |
| 5 | 001014-45 | Washer, B-0100 Hose Barrel |
| 6 | B-0068-H | 68" Flexible Stainless Steel Hose |
| 7 | B-0068-H2A | 68" Flexible Stainless Steel Hose, Less Handle |
| 8 | 005311-40 | Balancer |
| 9 | 005252-40 | Extension Arm, Chrome Plated |
| 10 | 001355-40 | Elbow, 3/8 NPT |
| 11 | 002535-25 | 3/8" Close Nipple |
| 12 | B-0109-01 | 6" Wall Bracket |
| 13 | 053A | Adapter, 3/8" NPT Male |
| 14 | 000372-40 | 3/8" NPT x 24" Riser |
| 15 | 001769-40 | Coupling, 3/8" NPT |
| 16 | 000922-45 | Lever Handle Screw |
| 17 | 001661-45 | Red Index-HW |
| 18 | 001638-45 | Lever Handle |
| 19 | 012394-25 | Quarter-Turn Cerama Cartridge, RTC w/ Check Valve |
| 20 | 012446-25 | Quarter-Turn Cerama Cartridge, RTC w/ Check Valve, Handle, Index & Screw |
| 21 | 012395-25 | Quarter-Turn Cerama Cartridge, LTC w/ Check Valve |
| 22 | 001660-45 | Blue Index-CW |
| 23 | 012447-25 | Quarter-Turn Cerama Cartridge, LTC w/ Check Valve, Handle, Index & Screw |
| 24 | 002290-45 | Lock Washer |
| 25 | 000965-45 | Lock Nut |
| 26 | 012534-45 | 18" Flexible Supply Hose (2) |

Product Specifications:

Pre-Rinse Unit: Single Hole Deck Mount Mixing Faucet, Cerama Cartridges w/ Check Valves, Lever Handles, 24" Riser, 6" Wall Bracket, 14" Extension Arm, Balancer, 0.65 GPM Angled Low Flow Spray Valve, 68" Flexible Stainless Steel Hose and Flexible Stainless Steel Supply Hoses

Product Compliance:

ASME A112.18.1 / CSA B125.1
NSF 61 - Section 9
NSF 372 (Low Lead Content)
EPA Act 2005 (PRSV)