



T&S BRASS AND BRONZE WORKS, INC.

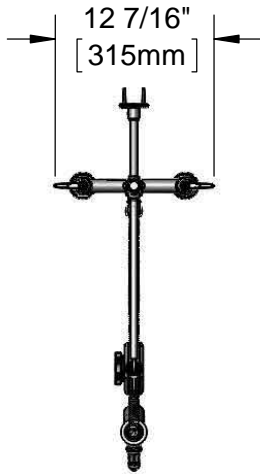
2 Saddleback Cove / P.O. Box 1088
Travelers Rest, SC 29690

Model No.

B-0128-VB

Item No.

Travelers Rest, SC: 800-476-4103 • Simi Valley, CA: 800-423-0150 • Fax: 864-834-3518 • www.tsbrass.com



This Space for Architect/Engineer Approval

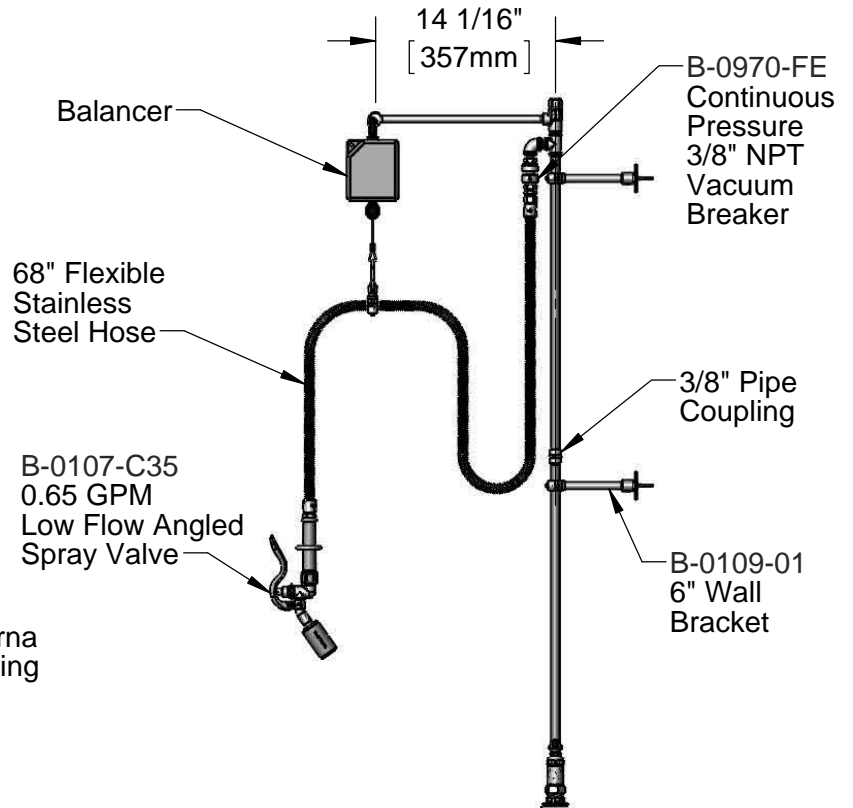
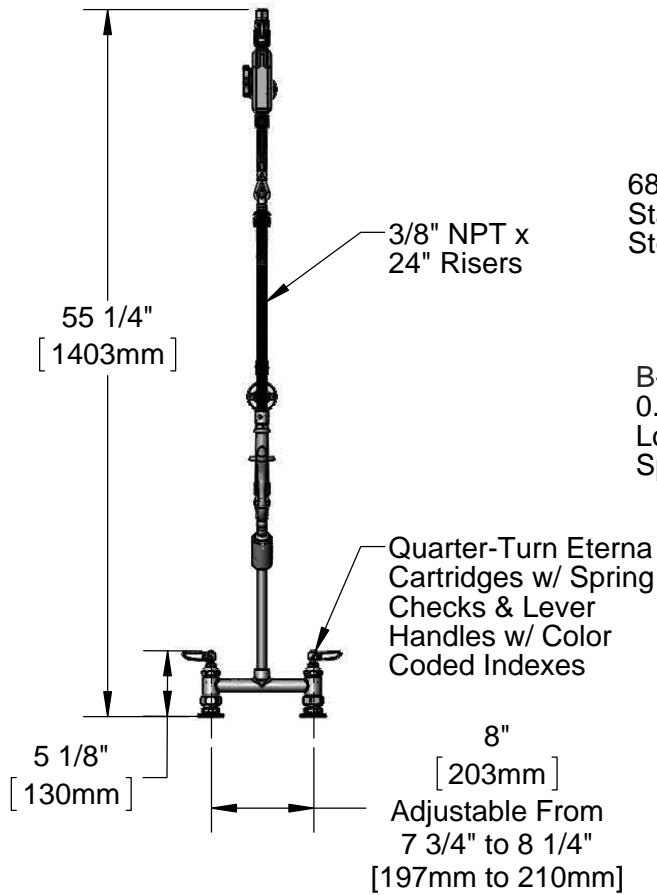
Job Name _____ Date _____

Model Specified _____ Quantity _____

Customer/Wholesaler _____

Contractor _____

Architect/Engineer _____



Product Specifications:

Pre-Rinse Unit: 8" Deck Mount Mixing Faucet, Quarter-Turn Eterna Cartridges w/ Spring Checks, Lever Handles, 24" Risers, 6" Wall Brackets, 14" Extension Arm, Balancer, 0.65 GPM Angled Low Flow Spray Valve, 68" Flexible Stainless Steel Hose, 3/8" NPT Vacuum Breaker and 1/2" NPT Female Inlets

Product Compliance:

ASME A112.18.1 / CSA B125.1
NSF 61 - Section 9
NSF 372 (Low Lead Content)
EPA Act 2005 (PRSV)



T&S BRASS AND BRONZE WORKS, INC.

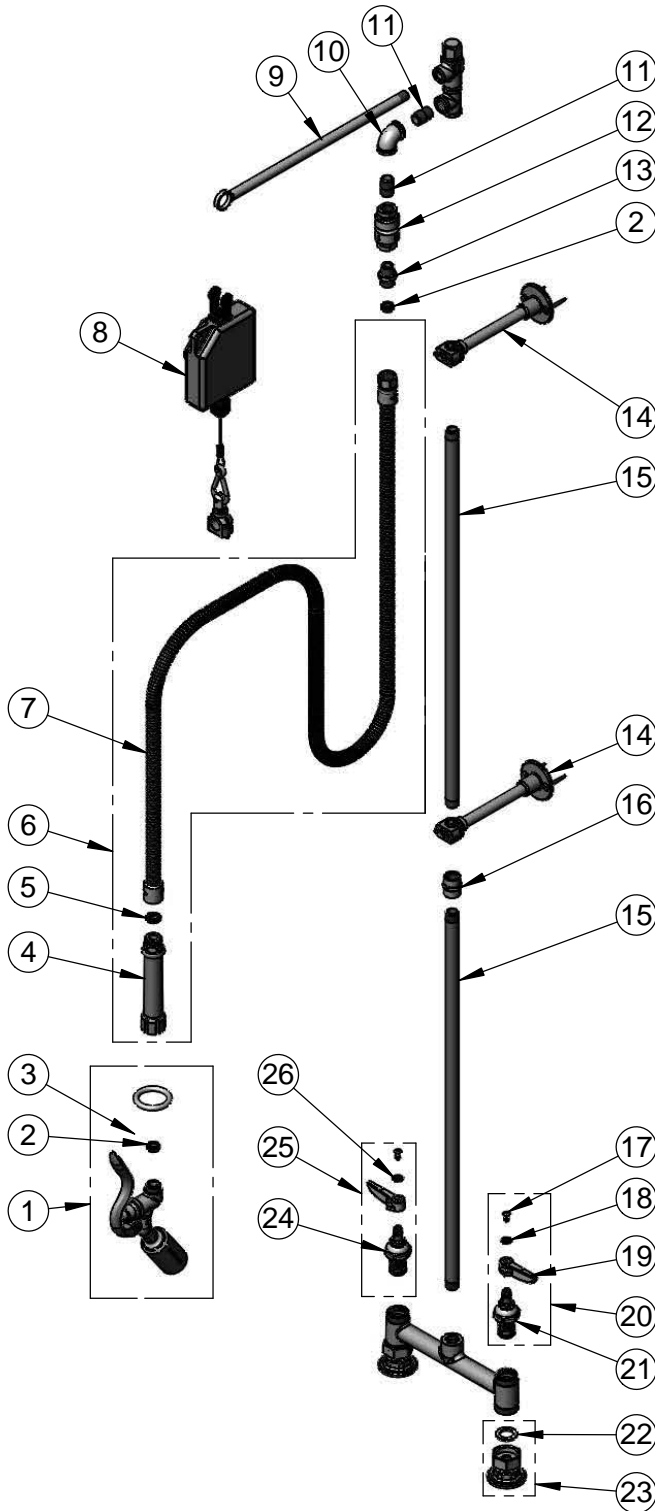
2 Saddleback Cove / P.O. Box 1088
Travelers Rest, SC 29690

Model No.

B-0128-VB

Item No.

Travelers Rest, SC: 800-476-4103 • Simi Valley, CA: 800-423-0150 • Fax: 864-834-3518 • www.tsbrass.com



ITEM NO.	SALES NO.	DESCRIPTION
1	B-0107-C35	0.65 GPM Angled Low Flow Spray Valve
2	010476-45	#27 Washer
3	000907-45	Spray Valve Hold Down Ring
4	002987-40	Grip Handle
5	001014-45	Washer, B-0100 Hose Barrel
6	B-0068-H	68" Flexible Stainless Steel Hose
7	B-0068-H2A	68" Flexible Stainless Steel Hose, Less Handle
8	005311-40	Balancer
9	005252-40	Extension Arm, Chrome Plated
10	001355-40	Elbow, 3/8 NPT
11	002535-25	3/8" Close Nipple
12	B-0970-FE	3/8" NPT Vacuum Breaker
13	053A	Adapter, 3/8" NPT Male
14	B-0109-01	6" Wall Bracket
15	000372-40	3/8" NPT x 24" Riser
16	001769-40	Coupling, 3/8" NPT
17	000922-45	Lever Handle Screw
18	001660-45	Blue Index-CW
19	001638-45	Lever Handle
20	002711-40	Quarter-Turn Eterna Cartridge, LTC w/ Spring Check, Handle, Index & Screw
21	012442-40	Quarter-Turn Eterna Cartridge, LTC w/ Spring Check
22	001019-45	Coupling Nut Washer
23	00AA	1/2" NPT Female Eccentric Flange
24	012443-40	Quarter-Turn Eterna Cartridge, RTC w/ Spring Check
25	002712-40	Quarter-Turn Eterna Cartridge, RTC w/ Spring Check, Handle, Index & Screw
26	001661-45	Red Index-HW
80		68" Flexible Stainless Steel Hose, Less Handle

Product Specifications:

Pre-Rinse Unit: 8" Deck Mount Mixing Faucet, Quarter-Turn Eterna Cartridges w/ Spring Checks, Lever Handles, 24" Risers, 6" Wall Brackets, 14" Extension Arm, Balancer, 0.65 GPM Angled Low Flow Spray Valve, 68" Flexible Stainless Steel Hose, 3/8" NPT Vacuum Breaker and 1/2" NPT Female Inlets

Product Compliance:

ASME A112.18.1 / CSA B125.1
NSF 61 - Section 9
NSF 372 (Low Lead Content)
EPA Act 2005 (PRSV)